

**Formula™ TRE Powered Seating
Front Riggings & MK5 Electronics
TDX®
Powered Wheelchairs**



Parts Catalog Usage Guide

The information contained in this document is subject to change without notice. This catalog contains service parts for Form No. 06-102. If you have any questions regarding this catalog, please contact one of our Customer Service Representatives.

For Customer Service Support Call:

1-800-333-6900

For Faxed In Orders Call:

1-800-678-4682 or

1-440-366-0709

For Technical Service Call:

1-800-832-4707

Literature Can Be Found at:

www.invacare.com or

1-800-828-6272

SYMBOL DEFINITION

Throughout this catalog you will notice letters to draw your attention to specific footnotes which are located at the bottom of the page or below specified charts.

Examples:

A,B,C etc. = Special Comments

NOTE: = General information pertaining to that specific page

NLA = No Longer Available

HARDWARE MEASUREMENTS

The measurements for the hardware will be listed as follows:

Screws, Bolts Diameter X Thread Count/Pitch X Length

Washers Inside Diameter X Outside Diameter X Thickness

Spacers Inside Diameter X Outside Diameter X Length

For your convenience, we have supplied an area for you to list your Invacare Representatives.

Name	Phone Numbers

©2008 Invacare Corporation. Elyria, Ohio. Invacare, Yes, you can., the Blue Medallion Design, SureStep, Storm Series, TDX are registered trademarks and Formula, Contoura, Personal Back 10, DualFlex, MKIV, MK5, EX, and TCD are trademarks of Invacare Corporation.

Otto Bock is a registered trademark owned by Otto Bock Orthopaedische Industrie GMBH & Co.. JAY Back is a registered trademark of Sunrise Medical HHG, Inc. Corporation

TABLE of CONTENTS

Description	Page Number
A: READ THIS FIRST (THIS CATALOG IS DIFFERENT!)	6
Electronics - MK6i ~PLEASE READ FIRST	80
Electronics, 4-Way Switch and Quad Push Button (QPB) Switch and Mounting Hardware	120
Electronics, Dual Legs Integrated Actuator Module (DLIAM) MK6i For ELRPW Front Riggings	81
Electronics, ESC Elevating Seat Control Toggle Switch, Elevate Only For ASBA/ADJASBA Seating	83
Electronics, MK5 SAC and Shroud Cover, Conventional Tilt & Tilt w/ BPO Option 4/15/05-10/19/05	97
Electronics, MK5 SAC, Contoura Recline Only & Contoura Tilt Only Before 1/6/06	115
Electronics, MK5 SAC, Conventional Recline & Recline w/ BPO Option Before 1/6/06	110
Electronics, MK5 SAC, Conventional Tilt & Tilt w/ BPO Option 1/17/05-4/14/05	95
Electronics, MK5 SAC, Conventional Tilt & Tilt w/ BPO Option 10/20/05-1/5/06	101
Electronics, MK5 SAC, Conventional Tilt & Tilt w/ BPO Option Before 1/17/05	93
Electronics, MK5 SAC-E and (MK6i) Elevate Integrated Actuator Module (EIAM)	91
Electronics, MK5 TAC & Mercury Switches, Contoura Recline Only & Contoura Tilt Only After 1/5/06	117
Electronics, MK5 TAC & Mercury Switches, Conventional Tilt & Tilt w/ BPO Option 1/6/06-1/25/06	103
Electronics, MK5 TAC, Shroud Cover & Mercury Switches, Conv. Recline & Recline w/ BPO Option After 1/5/06	112
Electronics, MK5 TAC, Shroud Cover & Mercury Switches, Conventional Tilt & Tilt w/ BPO Option After 1/25/06	106
Electronics, MK5 TRECM & Mercury Switches, Contoura Tilt, Recline & Tilt/Recline	139
Electronics, MK5 TRECM & Mercury Switches, Conv. Recline & Tilt/Recline Before 5/19/05 .	135
Electronics, MK5 TRECM & Mercury Switches, Conventional Tilt & Tilt w/ BPO Option 1/17/05-4/14/05	124
Electronics, MK5 TRECM & Mercury Switches, Conventional Tilt & Tilt w/ BPO Option 10/20/05-1/25/06	130
Electronics, MK5 TRECM & Mercury Switches, Conventional Tilt & Tilt w/ BPO Option Before 1/17/05	122

TABLE of CONTENTS

Description	Page Number
Electronics, MK5 TRECM, Shroud Cover & Mercury Switches, Conv. Recline & Tilt/Recline After 5/18/05	137
Electronics, MK5 TRECM, Shroud Cover & Mercury Switches, Conventional Tilt & Tilt w/ BPO Option After 1/25/06	132
Electronics, MK5 TRECM, Shroud Cover, Mercury Switches, Conv. Tilt & Tilt w/ BPO Option 4/15/05-10/19/05	126
Electronics, Quad Link (QLA) After 10/30/05	145
Electronics, Quad Link Before 10/31/05	141
Electronics, TRSS Toggle, Contoura Tilt	89
Electronics, TRSS Toggle, Conventional Tilt & Tilt w/ BPO Option After 1/16/05	87
Electronics, TRSS Toggle, Conventional Tilt & Tilt w/ BPO Option Before 1/17/05	85
Frame Finishes, Touch-Up Paints and Upholstery Options	7
Front Rigging - Adjustable Angle Footplates, AT5543	42
Front Rigging - Calf Pads and Attaching Hardware	37
Front Rigging - Center Mount Rigging (CTMT/CTMT-F/CTMT-L/CTMT-FL)	50
Front Rigging - Center Mount Rigging (CTMT-F/CTMT-FL with FBCTMT One PC Flip-Up Footboard)	53
Front Rigging - Center Mount Rigging (CTMTJ/CTMT-FJ)	47
Front Rigging - Center Mount Rigging KIT, CTMT/CTMT-L, Elevate Only For ASBA Seating	70
Front Rigging - Center Mount Rigging KIT, CTMTJ, Elevate Only For ASBA Seating	68
Front Rigging - Ctr. Mt. Rigging KIT, CTMT-F/CTMT-FL/CTMT-FJ, (Elev. Only-ADJASBA Stg. After 7/4/05), Conv./Contoura Stg.	72
Front Rigging - Ctr. Mt. Rigging Mtg. Hdwr., CTMT/CTMT-L/CTMTJ, Elev. Only For ASBA Stg. (Before 7/5/05)	60
Front Rigging - Ctr. Mt. Rigging Mtg. Hdwr., CTMT-F/CTMT-FL/CTMT-FJ, Conventional & Contoura Seating	64
Front Rigging - Ctr. Mt. Rigging Mtg. Hdwr., CTMT-F/CTMT-FL/CTMT-FJ, Elev. Only For ADJASBA Stg. (After 7/4/05)	62
Front Rigging - Footrest and Legrest Accessories	44

TABLE of CONTENTS

Description	Page Number
Front Rigging - Footrest Support Assemblies, Sector Style	28
Front Rigging - Footrest Supports, Hemi PHW93	30
Front Rigging - Front Rigging Hanger Hardware, Pin Style, Conventional & Contoura Seating	20
Front Rigging - Front Rigging Hanger Hardware, Sector Style, Conventional & Contoura Seating	22
Front Rigging - Front Rigging Hanger Hdwr., Pin & Sector Style, Elev. Only For ADJASBA Stg. (After 7/4/05)	18
Front Rigging - Front Rigging Hanger Hdwr., Pin & Sector Style, Elev. Only For ASBA Stg. (Before 7/5/05)	16
Front Rigging - Front Rigging Non Hanger Hardware, PCTMT, Conventional & Contoura Seating	24
Front Rigging - Front Rigging Non Hanger Hdwr., Rigging Is Excluded From Chair, Conv. & Contoura Stg.	26
Front Rigging - Legrest Supports, Articulating (Hemi) - PHAL4A	34
Front Rigging - Legrest Supports, AT5544	32
Front Rigging - Pivot/Slide Tube and 1650, 1350 Aluminum Footplates	41
Front Rigging - Pivot/Slide Tube and 1651 Composite Footplates	39
Front Rigging - Power Articulating Legrest, ELRPW/ELRPW22	75
Front Rigging - Power Articulating Legrest, ELRPW/ELRPW22 Harness & Hardware	78
Front Rigging - Power Center Mount Rigging (PCTMT/PCTMT-L with FBCTMT One PC Flip-Up Footboard)	58
Front Rigging - Power Center Mount Rigging (PCTMT/PCTMT-L)	55
Front Rigging - Power Center Mount Rigging Mtg. Hdwr., PCTMT/PCTMT-L	66
Front Rigging - Reference Chart, 70STAPER	15
Front Rigging - Reference Chart, AT5544, 70NHD, PHW93	13
Front Rigging - Reference Chart, PHAL4A	14
Label Locations For TRBKTS Option	11

TABLE of CONTENTS

Description	Page Number
Packaging and Literature	9
TRBKTS Option Clarification Reference	12

A: READ THIS FIRST (THIS CATALOG IS DIFFERENT!)

The Formula TRE Powered Seating System parts catalog information is now divided into three separate catalogs.

The Form Numbers and Cover Titles are listed below.

Form # 04-041

Formula TRE Powered Seating System
For
TDX
Powered Wheelchairs

Form # 06-102

Formula TRE
Front Riggings & MK5 Electronics
For
TDX
Powered Wheelchairs

Form # 06-110

MK6i Electronics
(MK6i Electronics was introduced on or about 10/9/06)

Use all three form numbers to order a “complete” Parts Catalog

Frame Finishes, Touch-Up Paints and Upholstery Options

Frame Finishes and Touch-Up Paint

Color Number	Part Number	Bottle Size	Frame Finish
08P	1031456	.6 oz.	Deep Purple
17P	1046319	.6 oz.	Cobalt Blue
22P	1033376	.6 oz.	Anthracite
24P	1031450	.6 oz.	Wet Black
33P	1031455	.6 oz.	Red
34P	1046327	.6 oz.	Flat Black
61P	1046321	.6 oz.	Electric Red
62P	1046320	.6 oz.	Electric Blue
66P	1046322	.6 oz.	Electric Purple
69P	1101320-NLA	.6 oz.	Teflon Black
71P	N/A	N/A	Silver Vein
84P	1073896	.6 oz.	Lavender
101P	1101325	.6 oz.	Jeweled Green
102P	1101327	.6 oz.	Denim Blue
104P	1101316	.6 oz.	Electric Teal
105P	1101326	.6 oz.	Midnight Blue
115P	N/A	N/A	Black Prism
116P	N/A	N/A	Sunkissed Orange
117P	N/A	N/A	Tangerine Red
118P	N/A	N/A	Fruit Fusion
119P	N/A	N/A	Bubblegum Pink
120P	N/A	N/A	Grape Madness
121P	N/A	N/A	Lolly Pop Blue
122P	N/A	N/A	Cosmic Blue
123P	N/A	N/A	Celestial Purple
124P	N/A	N/A	Vivid Violet
125P	N/A	N/A	Emerald Green
126P	N/A	N/A	Shamrock Green
127P	N/A	N/A	Grasshopper Green

Frame Finishes, Touch-Up Paints and Upholstery Options

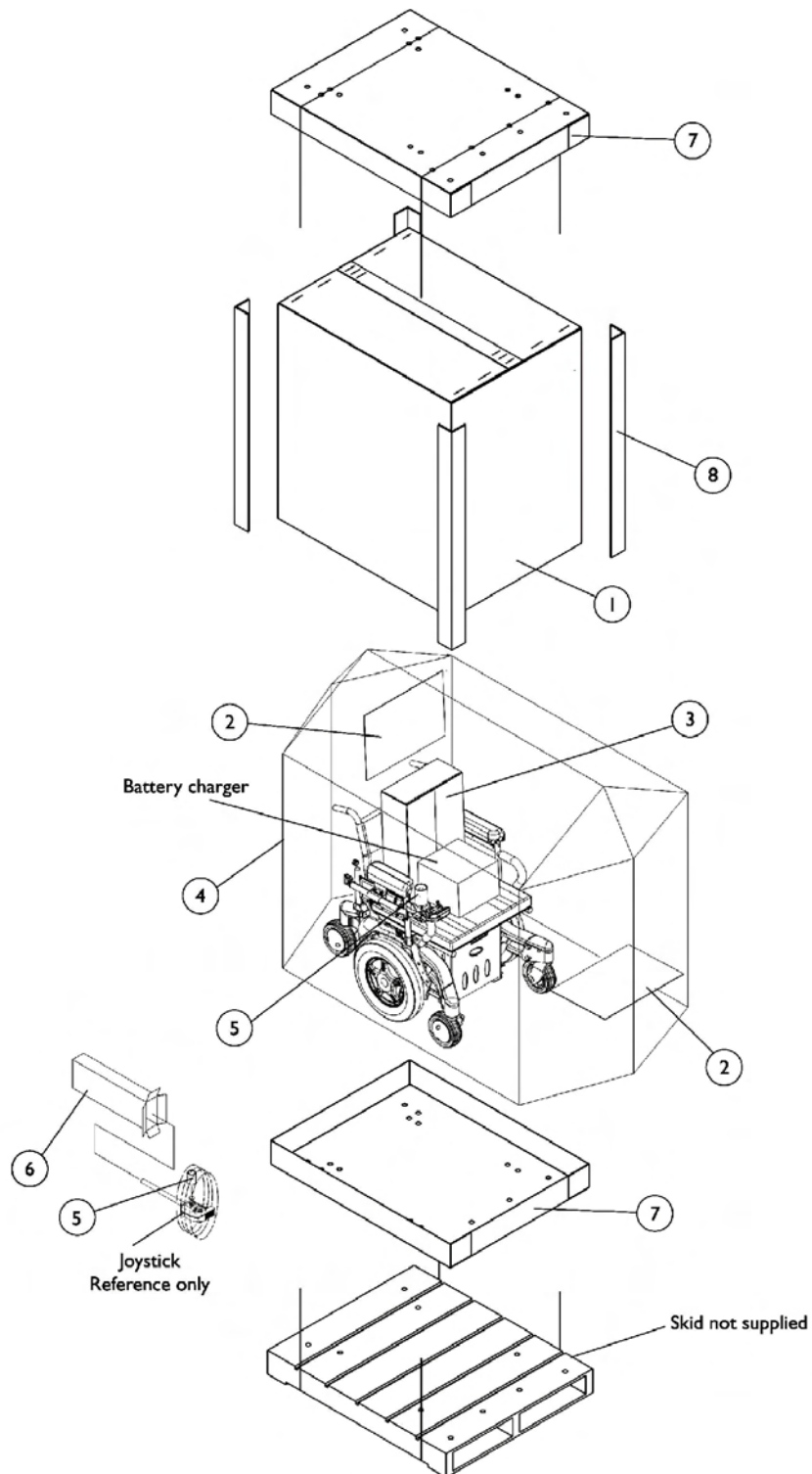
Sparkle Frame Finishes

Color Number	Frame Finish
88P	Wet Black with Twilight Sparkle

Upholstery Options For A.S.B.A. Seating

Nylon Color
U240 Black

Packaging and Literature



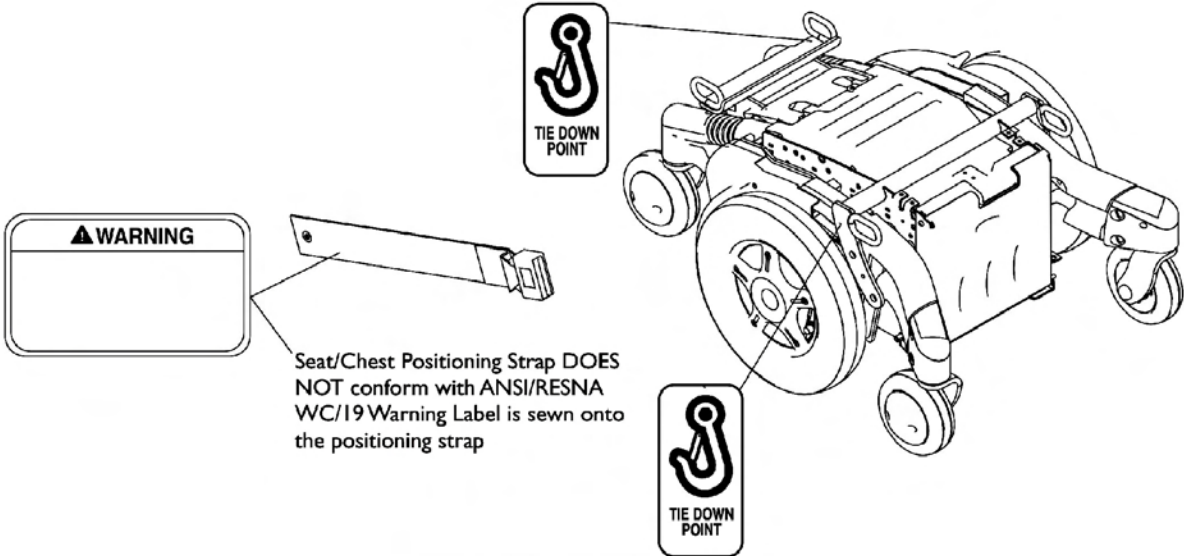
Packaging and Literature

Item Number	Note	Part Number	Description	Quantity Per	
				Package	Assembly
1		1036028	Carton, Cover	1	1
2		40131X161	Insert, Plain Pad	1	2
3		40131X011	Carton, Front Riggings	1	1
4		1015592	Bag, Poly (72" L x 35" W x 19" D)	1	1
5		1043198-NLA	Tube, Paper	1	1
6		1012001	Carton, Joystick	1	1
7		1036027	Carton, Tray	1	2
8		1129590	Carton, Corner Reinforcement	1	4
	A	00077X031	Warranty Card	1	1
	A	1114809	Manual, Owner's TDX w/ MK5 Electronics	1	1

NOTE: A - Not Shown

When adjusting or replacing parts, please refer to your Owner's Manual for assistance.

Label Locations For TRBKTS Option



TRBKTS Option Label Locations

TRBKTS Option Clarification Reference

TRBKTS Option was introduced 12/19/05 as an On-Chair option only.

About TRBKTS Transport Ready Package

TRBKTS includes four factory-installed wheelchair transport brackets. **TRBKTS** has not been crash-tested in accordance with WC 19. Use these transport brackets only to secure an unoccupied wheelchair during transport.

Only use the transport brackets included with **TRBKTS** for the purpose described in the appropriate Owner's Operator and Maintenance Manual.

Battery support brackets **MUST** be installed at all times. Otherwise, the wheelchair will not be WC/19 compliant. Refer to Removing/Installing the Batteries From/Into the Wheelchair in the appropriate Owner's Operator and Maintenance Manual.

As of this date, the Department of Transportation has not approved any tie-down systems for transportation of a user while in a wheelchair, in a moving vehicle of any type. It is Invacare's position that users of wheelchairs should be transferred into appropriate seating in vehicles for transportation and use be made of the restraints made available by the auto industry. Invacare cannot and does not recommend any wheelchair transportation systems.

NOTE: ANSI = American National Standards Institute, RESNA = Rehabilitation Engineering and Assistive Technology Society of North America.

Front Riggings Reference Chart

For AT5544, 70NHD, PHW93

NOTE: Calf pads with attaching hardware not included on legrest.

NOTE: Pivot/Slide tube attaching hardware not included.

NOTE: Pivot/Slide tube and footplates do not include heel loops. See footrest and legrest accessories.

1651 = Composite footplate with 9-7/8" curved pivot/slide tube.
AT5543 = Adjustable angle footplate with 9-7/8" straight pivot/slide tube.
1350 = Extra large footplate with "L" style pivot/slide tube.

Support Assemblies - AT5544, 70NHD, PHW93

Rigging Type	AT5544	70NHD	PHW93
Right	8881045291 See Note(s) A	8881053149 See Note(s) A	8881126089 See Note(s) A
Left	8881045292 See Note(s) A	8881053148 See Note(s) A	8881126090 See Note(s) A

NOTE: A - Specify frame color when ordering, see page titled "Frame Finishes and Touch-Up Paints".

Pivot/Slide Tube and Footplates For AT5544, 70NHD, PHW93

Footplate Type	1651 16" W	1651 17-24" W	1350 17-24" W	AT5543 16-24" W
Right	1057869	1057879	1026395	1062756
Left	1057870	1057880	1026396	1062757
Right 2" Longer	1057871	1057881	1086515	1062760
Left 2" Longer	1057872	1057882	1086517	1062761
Right 4" Longer	1058421	1058423	1086516	1121140
Left 4" Longer	1058422	1058424	1086518	1121141

Front Riggings Reference Chart For PHAL4A

NOTE: Calf pads with attaching hardware not included on legrest.

NOTE: Pivot/Slide tube attaching hardware not included.

NOTE: Pivot/Slide tube and footplates do not include heel loops. See footrest and legrest accessories.

1650 = Aluminum footplate with "L" style pivot/slide tube.
1350 = Extra large footplate with "L" style pivot/slide tube.
AT5543 = Adjustable angle footplate with 13-7/8" straight pivot/slide tube.

Support Assembly - PHAL4A

Rigging Type	PHAL4A (Chrome Only)
Right	1031437
Left	1031438

Pivot/Slide Tube and Footplates For PHAL4A

Footplate Type	1650 16-24" W	1350 17-24" W	AT5543 16-24" W
Right	1023907	1035456	1091777
Left	1023908	1035457	1091778

Front Riggings Reference Chart

70STAPER

NOTE: Pivot/Slide tube attaching hardware not included.

NOTE: Pivot/Slide tube and footplates do not include heel loops. See footrest and legrest accessories.

1651 = Composite footplate with 9-7/8" curved pivot/slide tube.

Support Assemblies - 70STAPER

Rigging Type	70STAPER
Right	8881026996 See Note(s) A
Left	8881026997 See Note(s) A

NOTE: A - Specify frame color when ordering, see page titled "Frame Finishes and Touch-Up Paints".

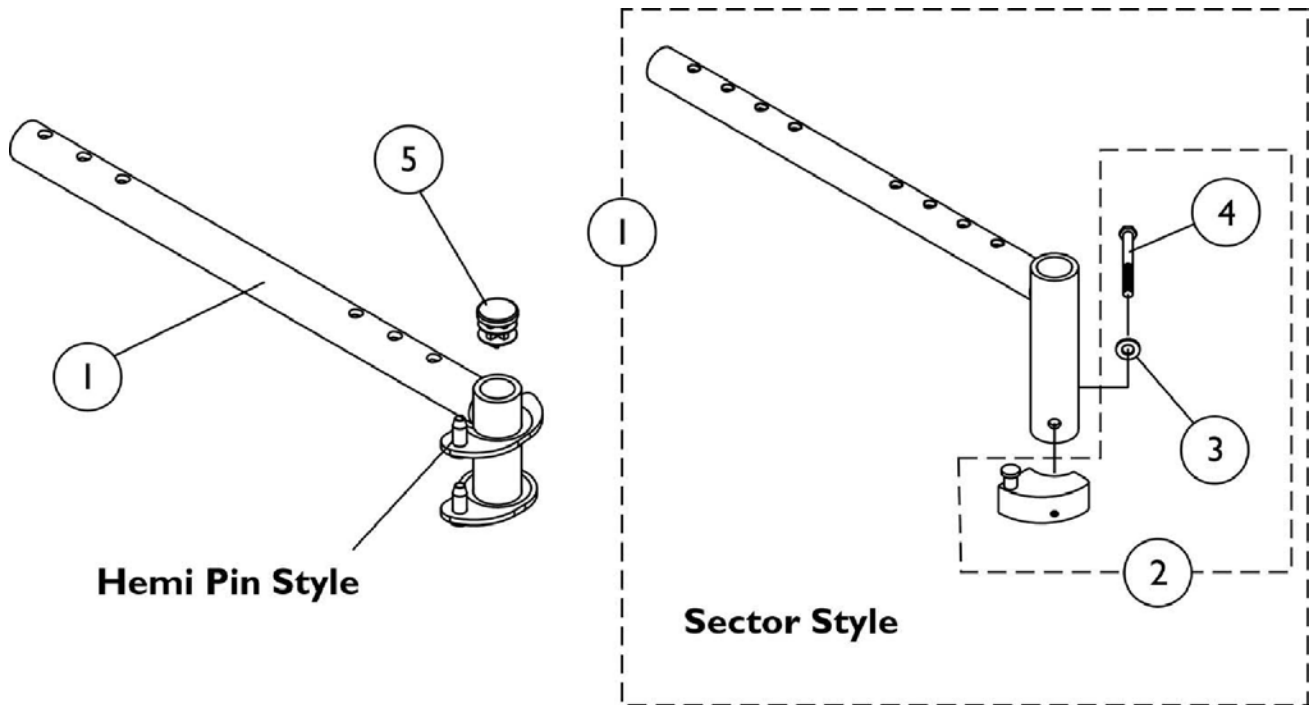
Pivot/Slide Tube and Footplates For 70ST TAPER

Footplate Type	1651 16-17" W	1651 18-19" W	1651 20-24" W
Right	1057859	1057869	1057879
Left	1057860	1057870	1057880
Right 2" Longer	1057861	1057871	1057881
Left 2" Longer	1057862	1057872	1057882

Front Rigging Hanger Hardware, Pin and Sector Style

Elevate Only For ASBA Seating (Before 7/5/05)

NOTE: Front rigging hangers and seat pans share the same mounting hardware, see Seat Pan and Mounting Hardware page.

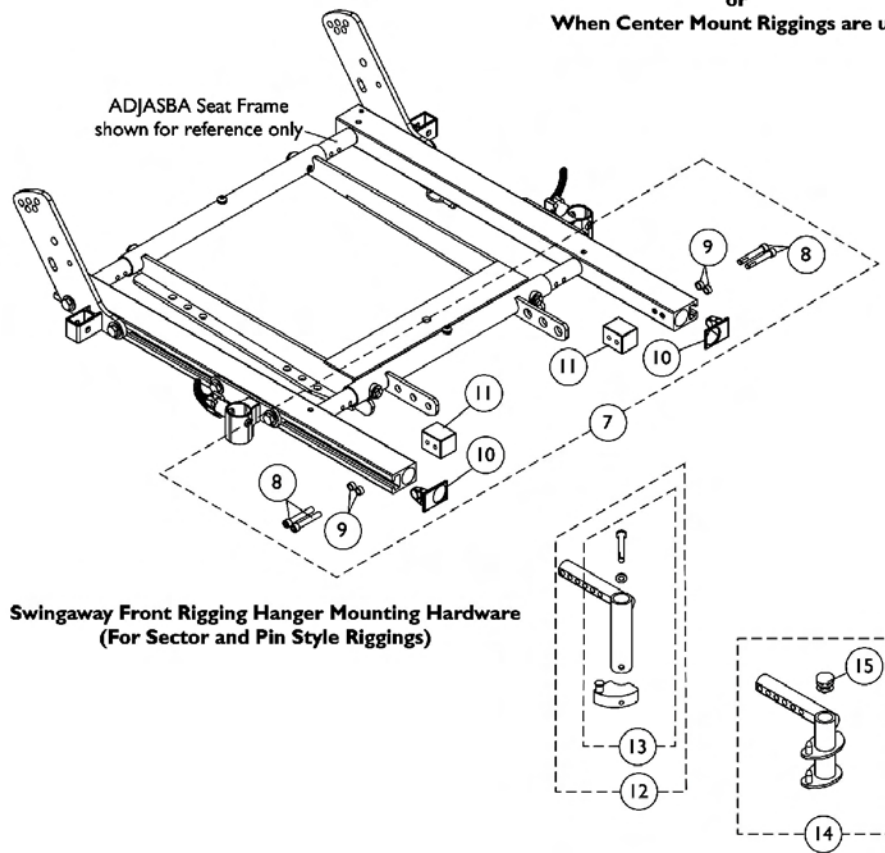
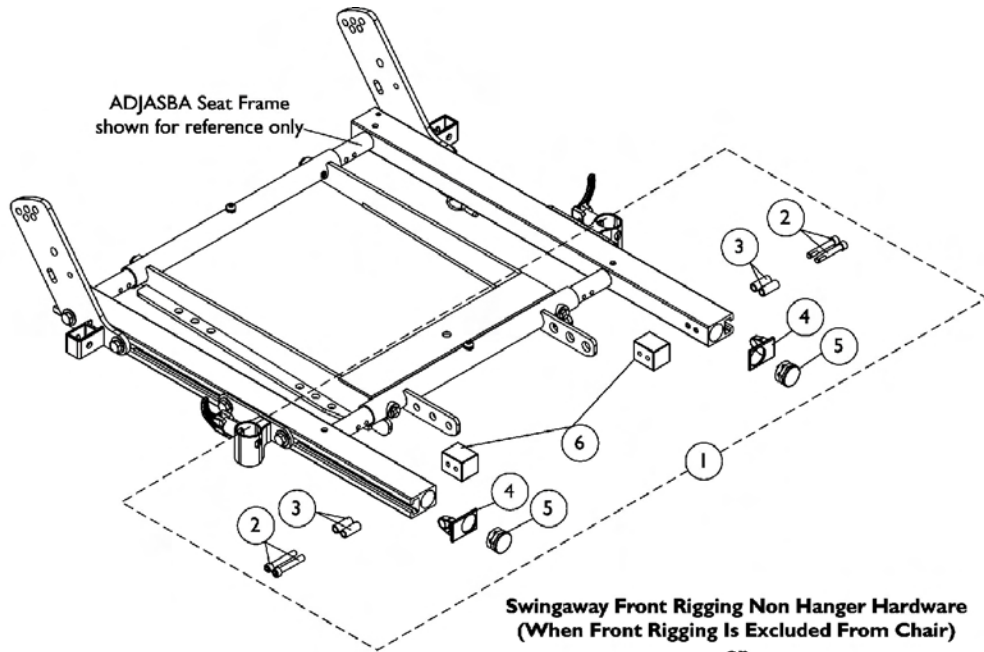


Front Rigging Hanger Hardware, Pin and Sector Style Elevate Only For ASBA Seating (Before 7/5/05)

NOTE: Front rigging hangers and seat pans share the same mounting hardware, see Seat Pan and Mounting Hardware page.

Item Number	Note	Part Number	Description	Quantity Per	
				Package	Assembly
1	A	1068435	Front Rigging Hanger Assembly, Sector Style (12-21" Deep) - Right	1	1
1	A	1068436	Front Rigging Hanger Assembly, Sector Style (12-21" Deep) - Left	1	1
1	A	1068437	Front Rigging Hanger Assembly, Sector Style (22" Deep) - Right	1	1
1	A	1068438	Front Rigging Hanger Assembly, Sector Style (22" Deep) - Left	1	1
1		1114766	Front Rigging Hanger Pin Style with Plug Button (Hemi) (12-21" Deep) - Right	1	1
1		1114767	Front Rigging Hanger Pin Style with Plug Button (Hemi) (12-21" Deep) - Left	1	1
1		1132339	Front Rigging Hanger Pin Style with Plug Button (Hemi) 22" Deep - Right	1	1
1		1132340	Front Rigging Hanger Pin Style with Plug Button (Hemi) 22" Deep - Left	1	1
2	B	1054571	Kit, Sector Block - Right	1	1
2	B	1054572	Kit, Sector Block - Left	1	1
3		1026907	Washer (1/4 x 1/2 x 1/16")	1	1
4		1052957	Screw, Hex Head (1/4-20 x 2")	1	1
5		1027097	Plug Button, Black (3/4")	1	1
NOTE: A - Includes item 2 B - Includes items 3-4					

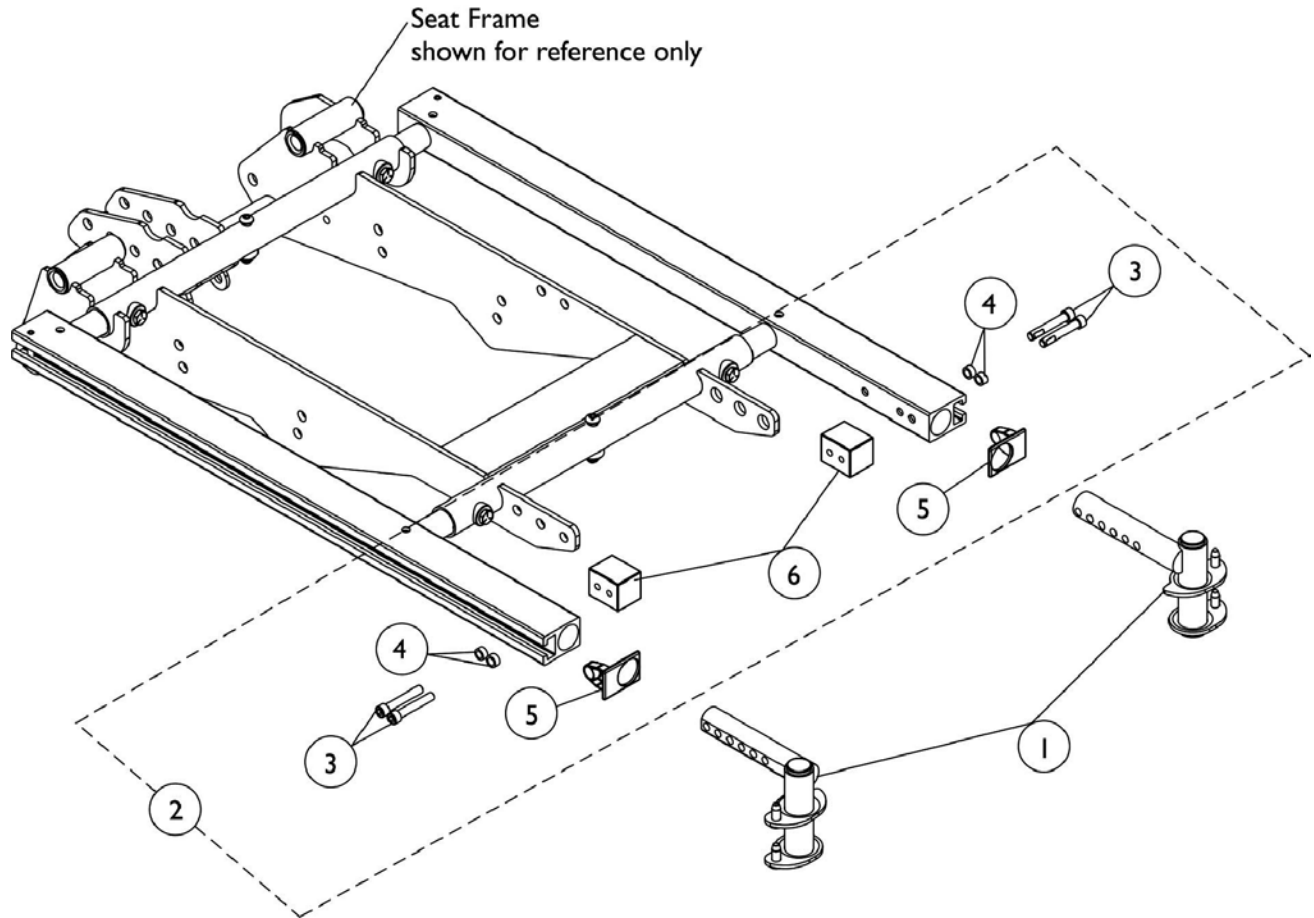
Front Rigging Hangers and Hardware Pin & Sector Style For ADJASBA Seating (After 7/4/05)



Front Rigging Hangers and Hardware Pin & Sector Style For ADJASBA Seating (After 7/4/05)

Item Number	Note	Part Number	Description	Quantity Per	
				Package	Assembly
1	A	1124723	Kit, Side Rail Cap Hardware (Pair)	1	1
2			Screw, Socket Head Cap w/ Patch (1/4-20 x 1-1/2")	1	4
3			Spacer (1/4 x 3/8 x 29/32")	1	4
4			Cap, Side Rail End	1	2
5			Plug Button, Black (1")	1	2
6			Block, Threaded	1	2
7	B	1125726	Kit, Front Rigging Hanger Mounting Hardware (Pair)	1	1
8			Screw, Socket Head Cap w/ Patch (1/4-20 x 1-1/2")	1	4
9			Spacer (1/4 x 3/8 x 3/16")	1	4
10			Cap, Side Rail End	1	2
11			Block, Threaded	1	2
12	C	1122602	Front Rigging Hanger Asbly., Sector Style - Right	1	1
12	C	1122603	Front Rigging Hanger Asbly., Sector Style - Left	1	1
13	D	1054571	Kit, Sector Block - Right	1	1
13	D	1054572	Kit, Sector Block - Left	1	1
14		1124401	Front Rigging Hanger Pin Style with Plug Button (Hemi) - Right	1	1
14		1124402	Front Rigging Hanger Pin Style with Plug Button (Hemi) - Left	1	1
15		1134426	Package, Plug Buttons, Black (3/4")	10	1
NOTE: A - Includes items 2-6 B - Includes items 8-11 C - Includes item 13 D - Includes Sector Block, Screw and Washer					

Front Rigging Hanger Hardware, Pin Style Conventional and Contoura Seating

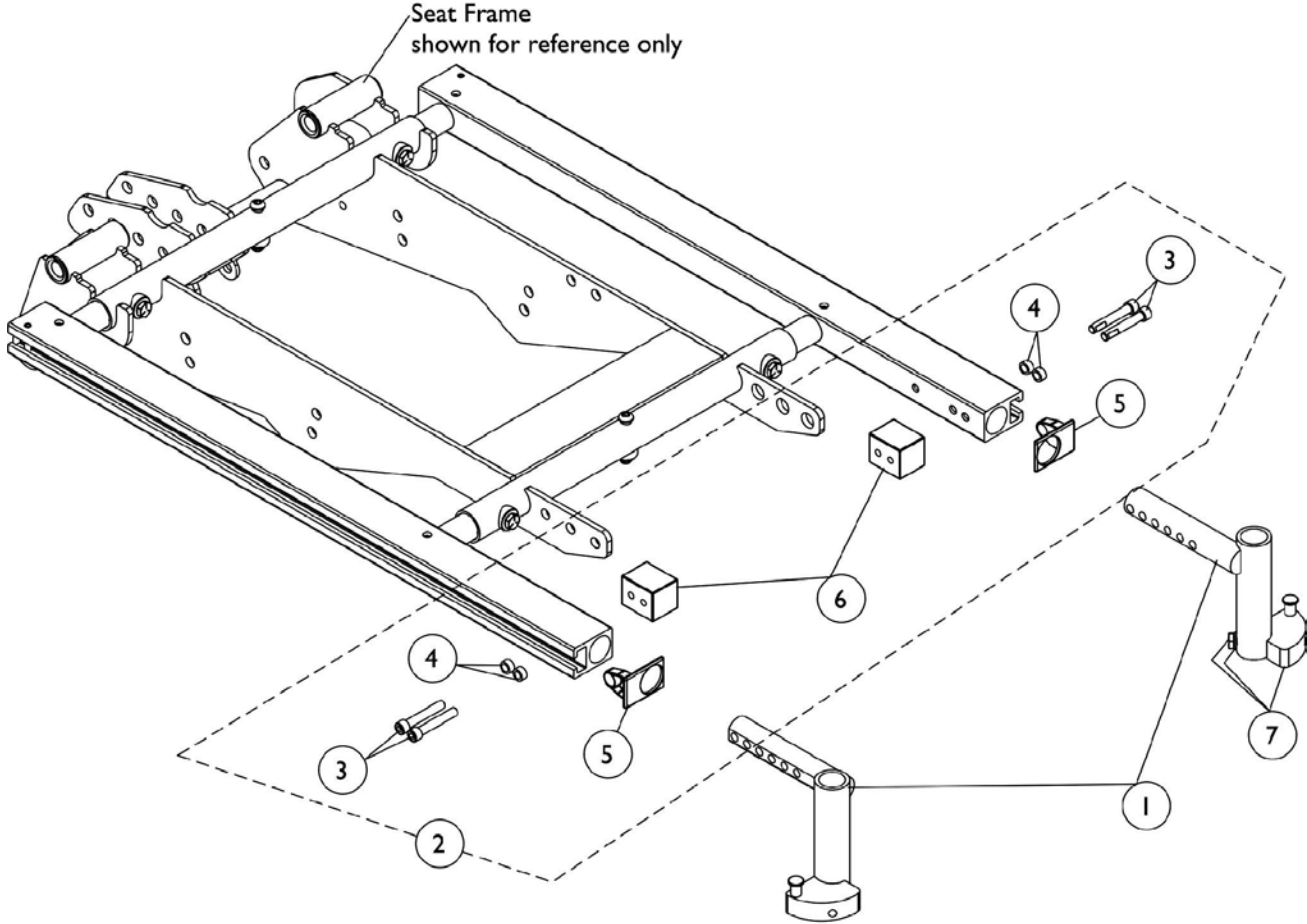


Front Rigging Hanger Hardware, Pin Style Conventional and Contoura Seating

Item Number	Note	Part Number	Description	Quantity Per	
				Package	Assembly
1		1124401	Front Rigging Hanger Pin Style with Plug Button (Hemi) - Right	1	1
1		1124402	Front Rigging Hanger Pin Style with Plug Button (Hemi) - Left	1	1
2	A	1125726	Kit, Front Rigging Hanger Mounting Hardware (Pair)	1	1
3			Screw, Socket Head Cap w/ Patch (1/4-20 x 1-1/2")	1	4
4			Spacer (1/4 x 3/8 x 3/16")	1	4
5			Cap, Side Rail End	1	2
6			Block, Threaded	1	2
NOTE: A - Includes items 3-6					

Front Rigging Hanger Hardware, Sector Style

Conventional and Contoura Seating



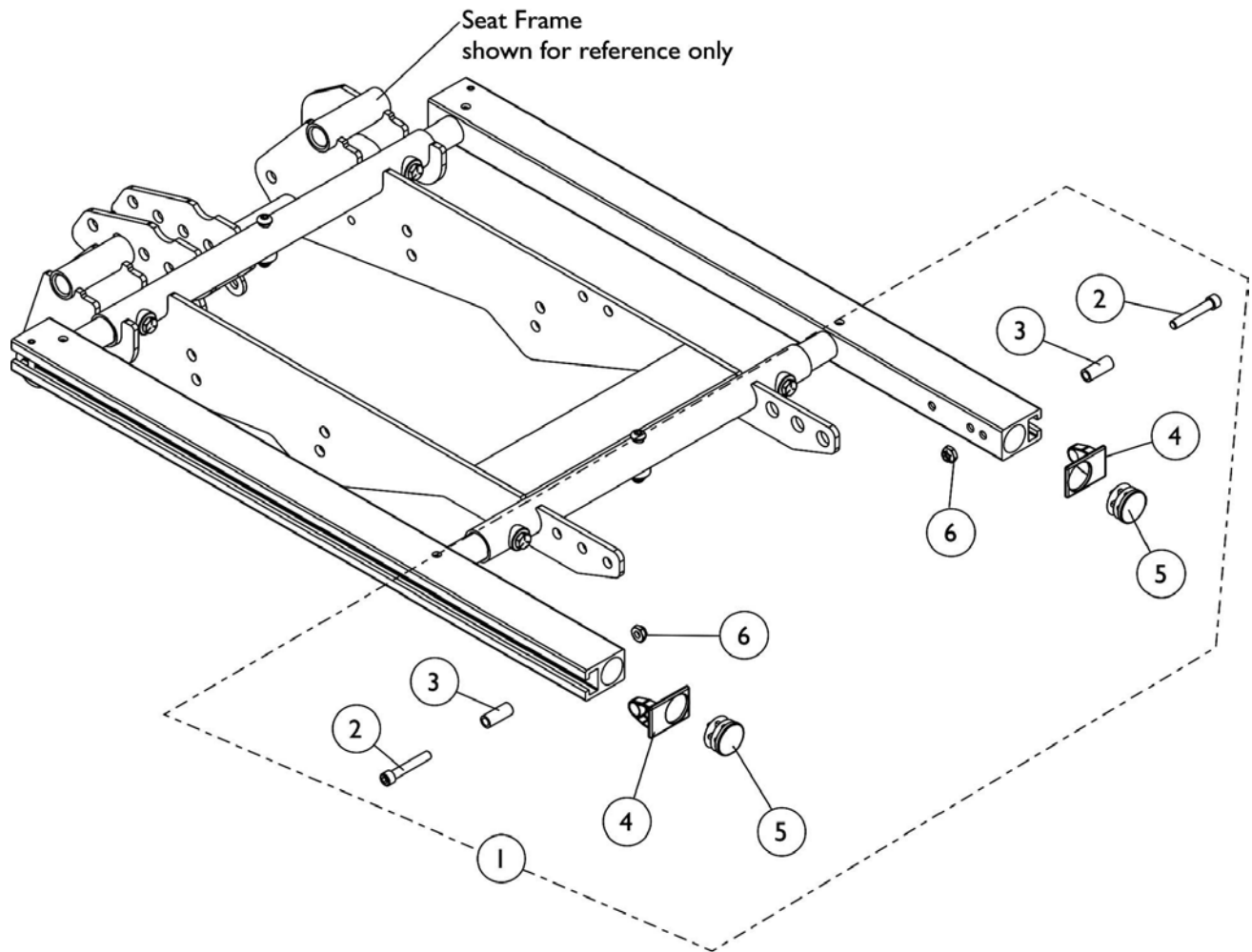
Front Rigging Hanger Hardware, Sector Style Conventional and Contoura Seating

Item Number	Note	Part Number	Description	Quantity Per	
				Package	Assembly
1		1122602	Front Rigging Hanger Asbly., Sector Style - Right	1	1
1		1122603	Front Rigging Hanger Asbly., Sector Style - Left	1	1
2	A	1125726	Kit, Front Rigging Hanger Mounting Hardware (Pair)	1	1
3			Screw, Socket Head Cap w/ Patch (1/4-20 x 1-1/2")	1	4
4			Spacer (1/4 x 3/8 x 3/16")	1	4
5			Cap, Side Rail End	1	2
6			Block, Threaded	1	2
7	B	1054571	Kit, Sector Block - Right	1	1
7	B	1054572	Kit, Sector Block - Left	1	1
NOTE: A - Includes items 3-6 B - Kit includes sector block, screw and washer					

Power Center Mount Rigging, PCTMT

Non Hanger Hardware

Conventional and Contoura Seating



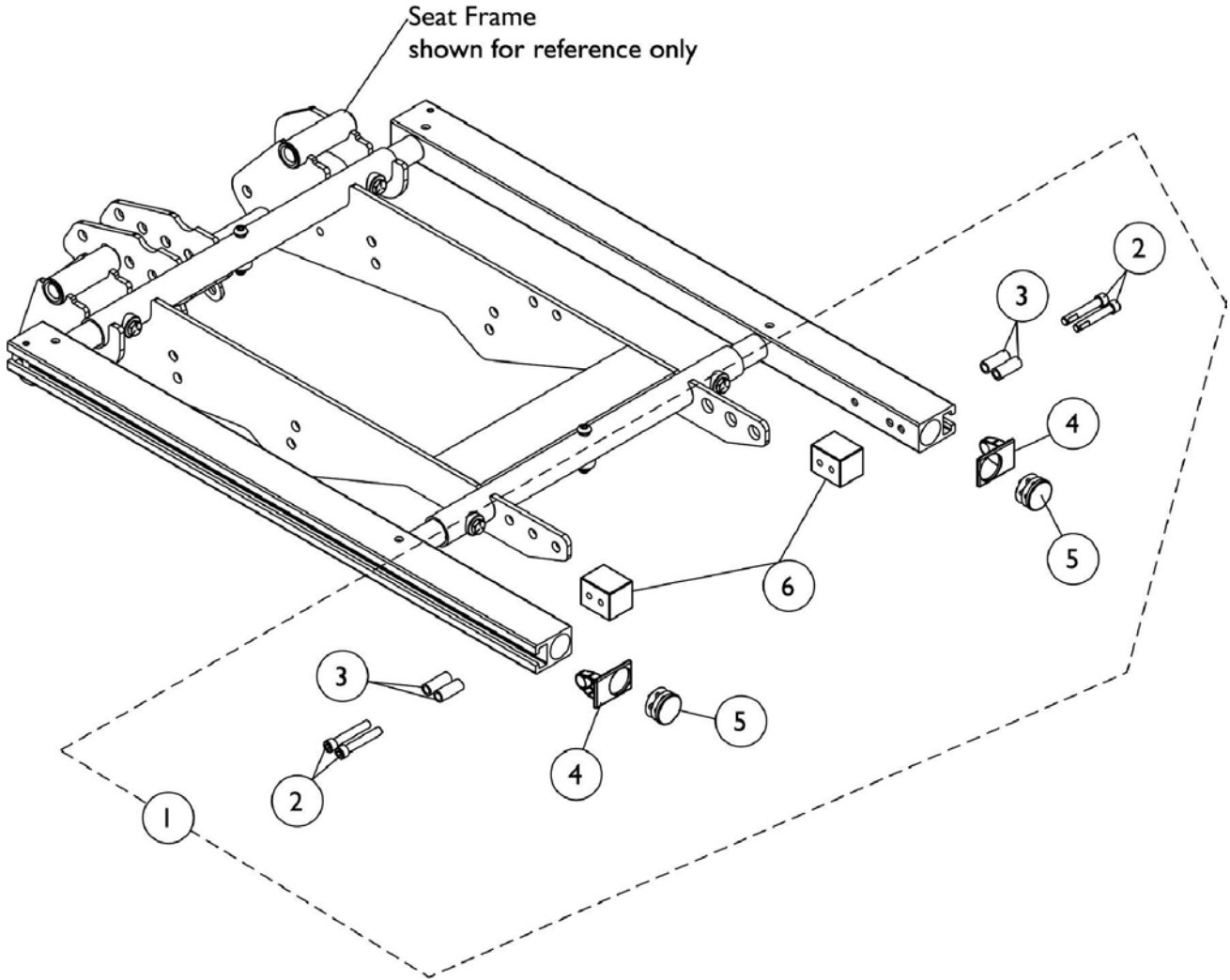
Power Center Mount Rigging, PCTMT Non Hanger Hardware Conventional and Contoura Seating

Item Number	Note	Part Number	Description	Quantity Per	
				Package	Assembly
1	A	1125651	Kit, Side Rail Cap Hardware	2	1
2			Screw, Socket Head (1/4-20 x 1-1/2")	1	2
3			Spacer (1/4 x 3/8 x 29/32")	1	2
4			Cap, Side Rail End	1	2
5			Plug Button, Black (1")	1	2
6			Locknut (1/4-20)	1	2

NOTE: A - Includes items 2-6

Front Rigging Non Hanger Hardware

When Front Rigging Is Excluded From Chair
Conventional and Contoura Seating



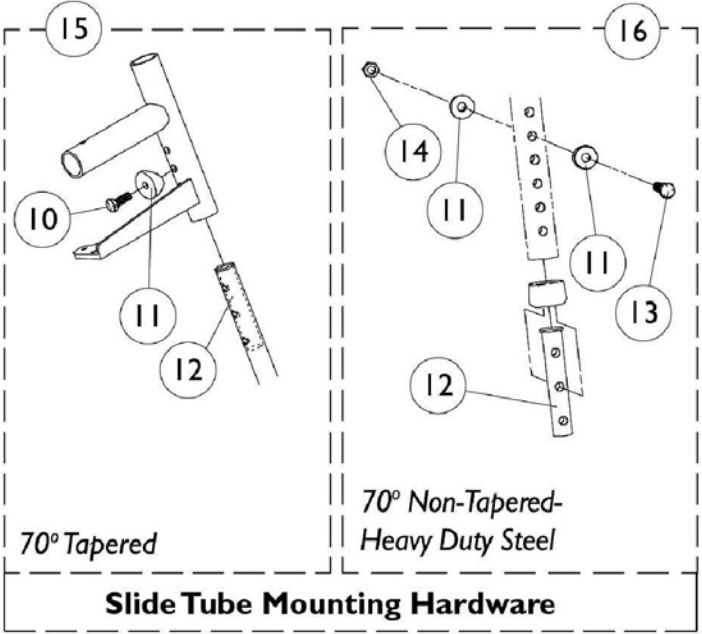
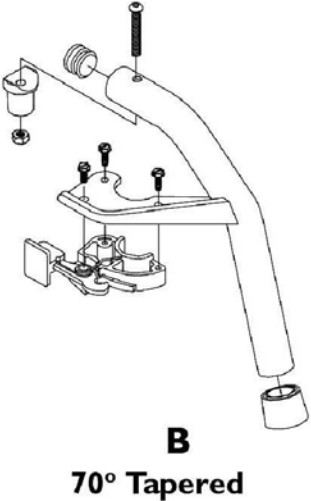
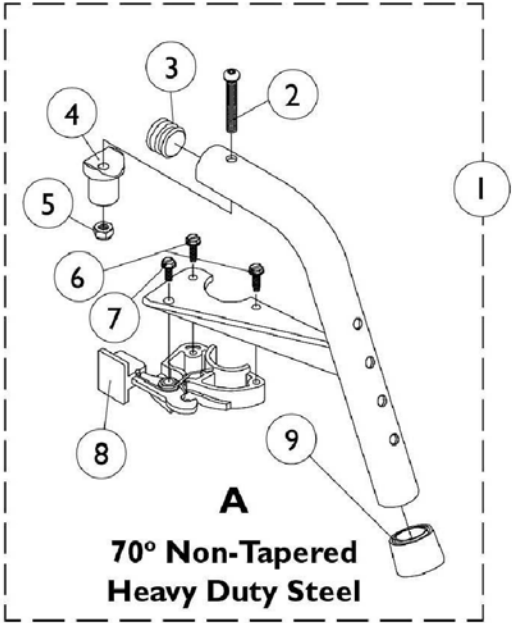
Front Rigging Non Hanger Hardware

When Front Rigging Is Excluded From Chair Conventional and Contoura Seating

Item Number	Note	Part Number	Description	Quantity Per	
				Package	Assembly
1	A	1124723	Kit, Side Rail Cap Hardware (Pair)	2	1
2			Screw, Socket Head Cap w/ Patch (1/4-20 x 1-1/2")	1	4
3			Spacer (1/4 x 3/8 x 29/32")	1	4
4			Cap, Side Rail End	1	2
5			Plug Button, Black (1")	1	2
6			Block, Threaded	1	2
NOTE: A - Includes items 2-6					

Footrest Support Assemblies

Sector Style



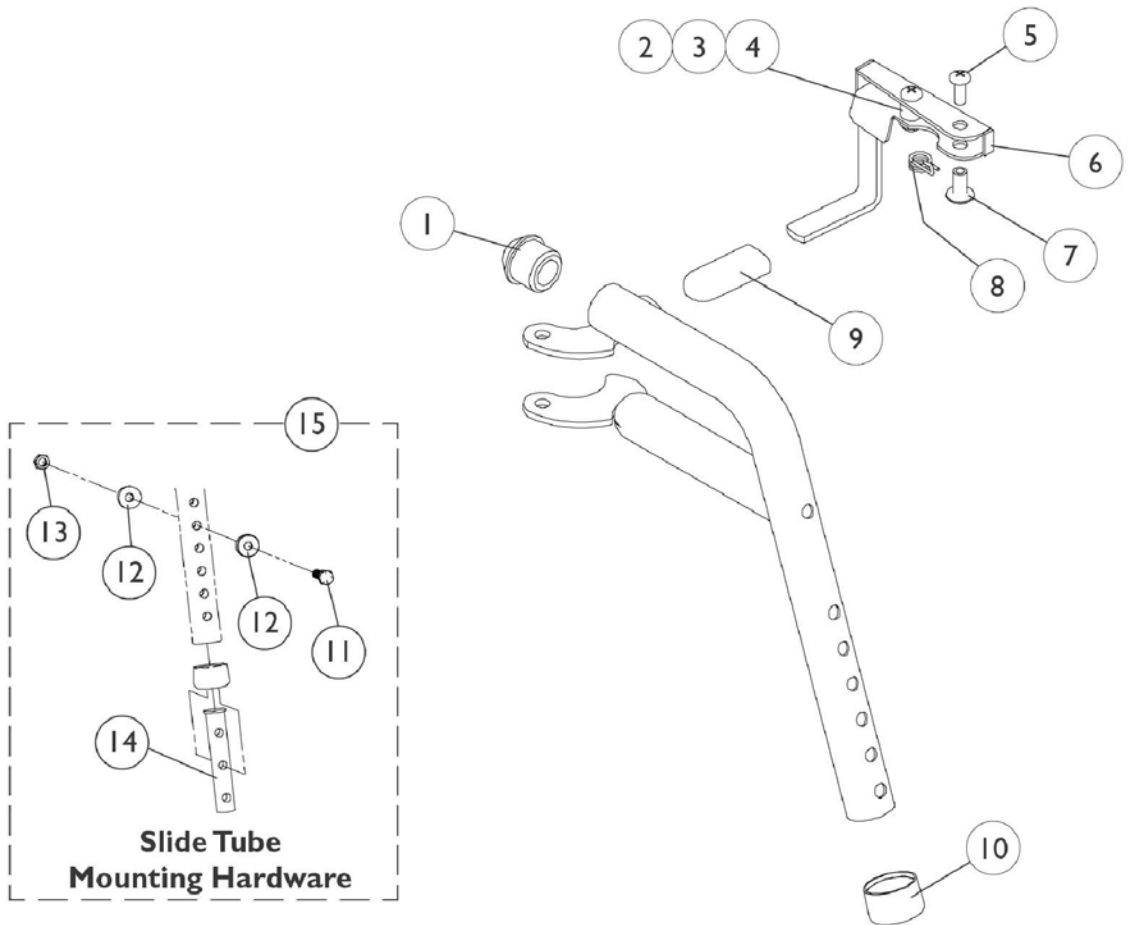
Footrest Support Assemblies Sector Style

Item Number	Note	Part Number	Description	Quantity Per	
				Package	Assembly
1	A,C	8881053149	Footrest Support Assembly, 70° Non-Tapered Heavy Duty, Sector, Color - Right	1	1
1	A,C	8881053148	Footrest Support Assembly, 70° Non-Tapered Heavy Duty, Sector, Color - Left	1	1
1	A,D	8881026996	Footrest Support Assembly, 70° Tapered, Sector, Color - Right	1	1
1	A,D	8881026997	Footrest Support Assembly, 70° Tapered, Sector, Color - Left	1	1
2		7930321	Screw, Socket Button Head (1/4-20 x 1-7/8")	25	1
3		1029501	Plug Button, Black (1")	1	1
4		1017148	Plug, Pivot	1	1
5		7930333	Locknut (1/4-20)	25	1
6		1025451	Screw, Slotted Hex Washer Head (#10-32 x 5/8")	1	2
7		7930314	Screw, Slotted Hex Head (#10-32 x 1/2")	25	1
8		1025454	Latch Housing - Right	1	1
8		1025455	Latch Housing - Left	1	1
9		1026124	Anti-Rattle Collar	1	1
10		1045267	Screw, Hex Head (1/4-20 x 3/4")	1	1
11	B	1026099	Spacer, Coved (1/4 x 11/16 x 1/2")	1	2
12		1020534	Insert, Threaded	1	1
13		1070759	Screw, Hex Head (1/4-20 x 1-1/2")	1	1
14		7930338	Nut, Acorn (1/4-20)	25	1
15		1026703	Kit, Pivot/Slide Tube Mounting Hardware (Pair)	2	1
16		1057846	Kit, Pivot/Slide Tube Mounting Hardware (Pair)	2	1
	E	1026987	Impact Guard, 8" Long	1	1

NOTE: A - Specify frame color when ordering. See page titled "Frame Finishes and Touch-Up Paints."
 B - Item 16 takes 4
 C - See Image "A"
 D - See Image "B"
 E - Not Shown

PHW93 Hemi Footrest Supports

Color (Pin Style)



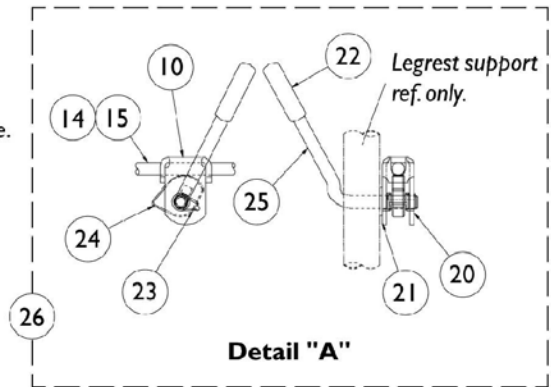
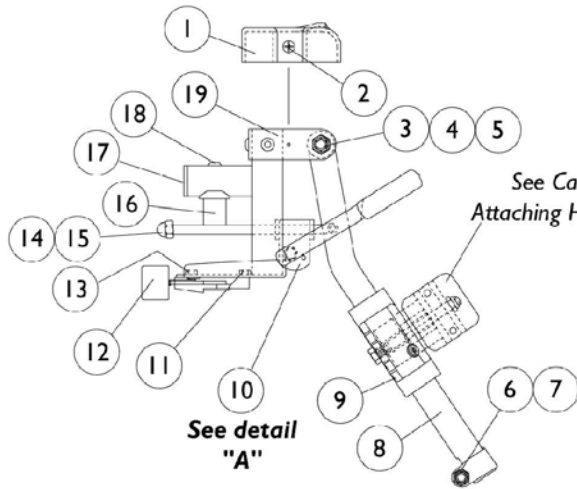
PHW93 Hemi Footrest Supports Color (Pin Style)

Item Number	Note	Part Number	Description	Quantity Per	
				Package	Assembly
1		1020719	Anti-Rattle, Black	1	1
2		1025716	Screw, Phillips Pan Head (#10-32 x 11/16")	1	1
3		47565X057	Bushing (7/32 x 3/8 x 11/32")	1	1
4		1025735	Locknut (#10-32)	1	1
5		1026114	Screw, Phillips Pan Head (#10-32 x 1/2")	1	1
6	A	1114749	Release Handle (Black) - Right	1	1
6	A	1114750	Release Handle (Black) - Left	1	1
7		1028846	Rivnut (#10-32)	1	1
8		1028707	Spring, Release - Right	1	1
8		1028708	Spring, Release - Left	1	1
9		1006490	Tip, Plastic, Black	1	1
10		15680X012	Collar, Anti-Rattle (7/8")	1	1
11		1070759	Screw, Hex Head (1/4-20 x 1-1/2")	1	1
12		1026099	Spacer, Coved (1/4 x 11/16 x 1/2")	1	2
13		1044214	Nut, Hex with Nylon Cap (1/4-20)	1	1
14		1020534	Insert, Threaded	1	1
15		1074143	Kit, Slide Tube Mounting Hardware	1	1
	B	8881126089	Footrest Support Assembly, Hemi, Color - Right	1	1
	B	8881126090	Footrest Support Assembly, Hemi, Color - Left	1	1

NOTE: A - Includes items 2-4
B - Specify frame color when ordering, see page titled "Frame Finishes and Touch-Up Paints".

AT5544 Legrest Supports

Color (Sector Style)
16"-24" Wide Chairs



AT5544 Legrest Supports

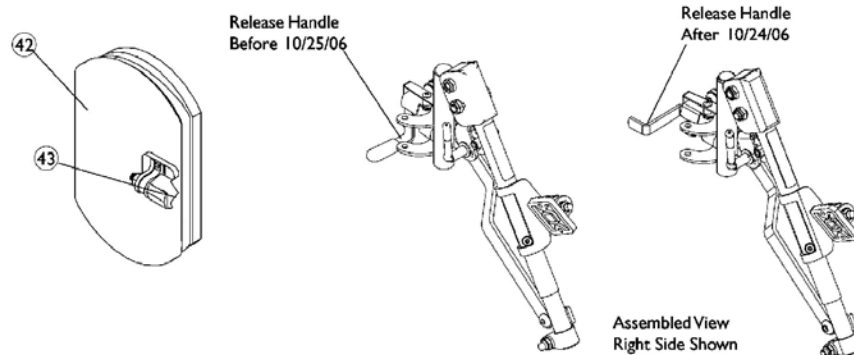
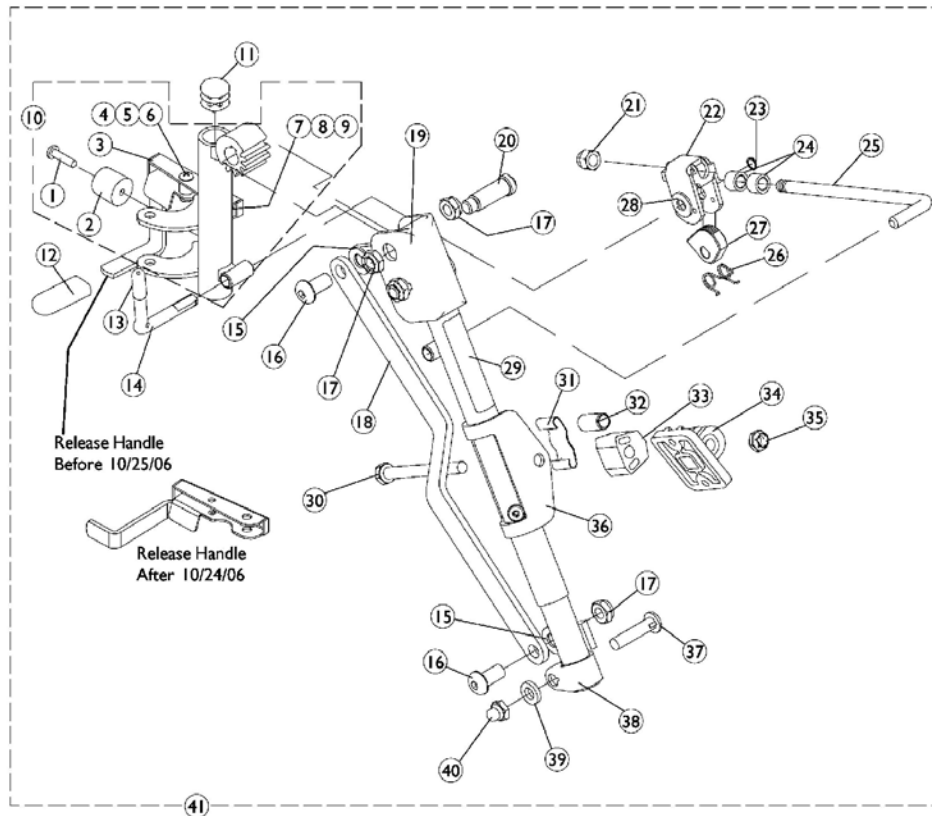
Color (Sector Style)

16"-24" Wide Chairs

Item Number	Note	Part Number	Description	Quantity Per	
				Package	Assembly
1		1017187	Cover, Top	1	1
2		1028529	Screw, Phillips Pan Head (#8-32 x 3/8")	1	2
3		40363X000	Hex Nut (3/8"-16)	1	1
4		1058636	Washer, Nylon (25/64 x 7/8 x 1/32")	1	2
5		11919X000	Screw, Truss Head (3/8-16 x 1-1/2")	1	1
6		7930330	Locknut (5/16-24)	25	3
7		1026030	Screw, Lug (5/16-24 x 1-3/8")	1	1
8		1043556	Tube, Elevating Support (Black) - Right	1	1
8		1043557	Tube, Elevating Support (Black) - Left	1	1
8	A	8881048851	Tube, Elevating Support (Color) - Right	1	1
8	A	8881048852	Tube, Elevating Support (Color) - Left	1	1
9		1032266	Bracket, Legrest Pad Mounting	1	1
10		04528X002	Bracket, Release (Chrome)	1	1
11		1025451	Screw, Slotted Hex Washer Head (#10-32 x 5/8")	1	2
12		1025454	Latch Housing - Right	1	1
12		1025455	Latch Housing - Left	1	1
13		7930314	Screw, Slotted Hex Head (#10-32 x 1/2")	25	1
14		42326X001	Bar, Ratchet	1	1
15		7930336	Nut, Acorn (5/16-24)	25	1
16		1017148	Plug, Pivot	1	1
17		1029501	Plug Button, Black (1")	1	1
18		7930301	Package, Button Head Cap Screws (1/4-20 x 1-3/4")	25	1
19	A	8881045289	Bracket, Legrest Support - Right	1	1
19	A	8881045290	Bracket, Legrest Support - Left	1	1
20		1040831	Snap Ring	1	1
21		7930310	Washer, Nylon (5/16 x 11/16 x 1/16")	25	1
22		1040060	Tip, Black Plastic	1	1
23		1037485	Spring, Release	1	1
24		1037125	Cam, Legrest	1	1
25		1037126	Handle, Release	1	1
26	B	1096974	Kit, Ratchet Elevating Legrest	2	1
	C	1096943	Instruction Sheet, Ratchet Kit	1	1
	A,C	8881045291	Legrest Support Assembly, Sector, Color - Right	1	1
	A,C	8881045292	Legrest Support Assembly, Sector, Color - Left	1	1

NOTE: A - Specify frame color when ordering. See page titled "Frame Finishes and Touch-Up Paints".
 B - Includes items 10, 14, 15 and 20-25
 C - Not Shown

PHAL4A (Hemi) Articulating Legrest Supports Chrome



PHAL4A (Hemi) Articulating Legrest Supports Chrome

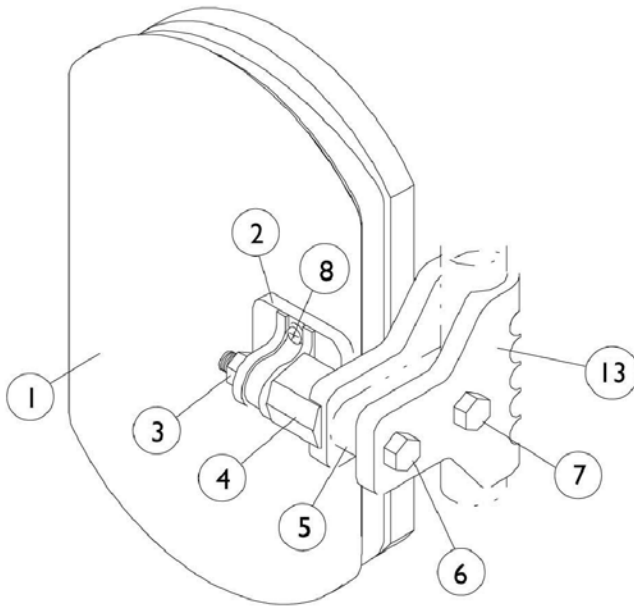
Item Number	Note	Part Number	Description	Quantity Per	
				Package	Assembly
1		1030979	Screw, Phillips Pan Head Tap (#10-32 x 3/4")	1	1
2		1022874	Bumper	1	1
3	D	1023428	Handle, Release, Chrome - Right	1	1
3	D	1023431	Handle, Release, Chrome - Left	1	1
4		47565X057	Bushing (7/32 x 3/8 x 11/32")	1	1
5		60279X003	Locknut (#10-32)	1	1
6		40163X008	Screw, Phillips Pan Head (#10-32 x 11/16")	1	1
7		1008935	Spring, Release - Right	1	1
7		1008936	Spring, Release - Left	1	1
8		67005X000	Rivnut (#10-32)	1	1
9		40163X002	Screw, Phillips Round Head (#10-32 x 1/2")	1	1
10	C,C1	1023092	Legrest Support with Handle and Bumper (Chrome) - Right	1	1
10	C,C1	1023093	Legrest Support with Handle and Bumper (Chrome) - Left	1	1
11		1027097	Plug Button, Black (3/4")	1	1
12		1006490	Tip, Plastic, Black	1	1
13		1040060	Tip, Black Plastic	1	1
14		1037126	Handle, Release	1	1
15		1049527	Washer, Nylon (3/8 x 3/4 x 1/16")	1	2
16		1022866	Screw, Socket Button Head (3/8-16 x 3/4")	1	2
17		40363X000	Hex Nut (3/8"-16)	1	3
18		1022846	Bar, Link, Chrome	1	1
19		1022877	Tube Support and Drive Link - Right	1	1
19		1022878	Tube Support and Drive Link - Left	1	1
20		1022854	Screw, Slotted Head Shoulder (1/2 x 1-1/8")	1	1
21		10261X000	Acorn Nut (5/16"-24)	1	1
22		04528X002	Bracket, Release (Chrome)	1	1
23		1040831	Snap Ring	1	1
24		47328X003	Bushing, Pivot (5/16 x 7/16 x 7/8")	1	1
25		42326X004	Bar, Ratchet - Right/Left	1	1
26		1037485	Spring, Release	1	1
27		1037125	Cam, Legrest	1	1
28		1013519	Washer, Nylon (5/16 x 11/16 x 1/16")	1	1
29		1024911	Decal, Smartleg	1	1
30		1014807	Screw, Hex Head (5/16-24 x 3-1/4")	1	1
31		48823X008	Spring, Leaf	1	1
32		47328X003	Bushing, Pivot (5/16 x 7/16 x 7/8")	1	1
33		1025133	Spacer, Legrest Pad	1	1
34		04526X019	Plate, Legrest Pad	1	1
35		60264X001	Locknut (5/16-24)	1	1
36		1025104	Bracket, Legrest (Chrome)	1	1
37		11232X009	Screw, Lug (5/16-24 x 1-3/8")	1	1
38		1022848	Slide Tube, Articulating (Chrome) - Right	1	1

PHAL4A (Hemi) Articulating Legrest Supports Chrome

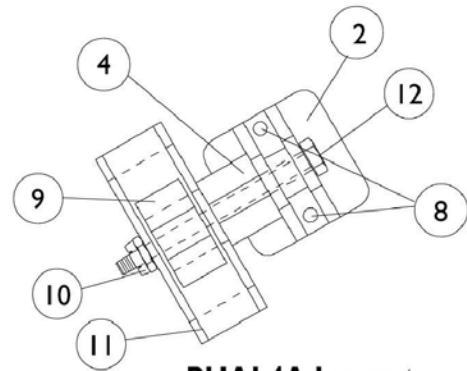
Item Number	Note	Part Number	Description	Quantity Per	
				Package	Assembly
38		1022849	Slide Tube, Articulating (Chrome) - Left	1	1
39		1027377	Washer (#20)	1	1
40		1107321	Nut, Low Cap (5/16"-24)	1	1
41	C,C1,B	1031437	Legrest Support Assembly, Articulating, Hemi, Chrome - Right	1	1
41	C,C1,B	1031438	Legrest Support Assembly, Articulating, Hemi, Chrome - Left	1	1
42	A	8881091764	Pad, Legrest Vinyl - Right/Left	1	1
43		1068649	Screws, Phillips Head (#10-32 x 11/16")	2	1
NOTE: A - Specify upholstery color U67 black when ordering. B - Includes items 1-40 C - Release Handle revised 10/25/06. When a complete Legrest Assembly item #41 or a Legrest Support Tube Assembly item #10 is ordered for chairs manufactured before 10/25/06, order the opposite side "Release Handle" item #3 to match. C1 - Both Release Handles pictured to identify the difference. Release Handle after 10/24/06 does not require a rubber tip D - Release Handle revised 10/25/06. For chairs manufactured before 10/25/06, order in pairs to match.					

Calf Pads and Attaching Hardware

NOTE: For replacement calf pads for Power Articulating Legrest, see Power Articulating Legrest page.



AT5544 Legrest.



PHAL4A Legrest

Calf Pads and Attaching Hardware

NOTE: For replacement calf pads for Power Articulating Legrest, see Power Articulating Legrest page.

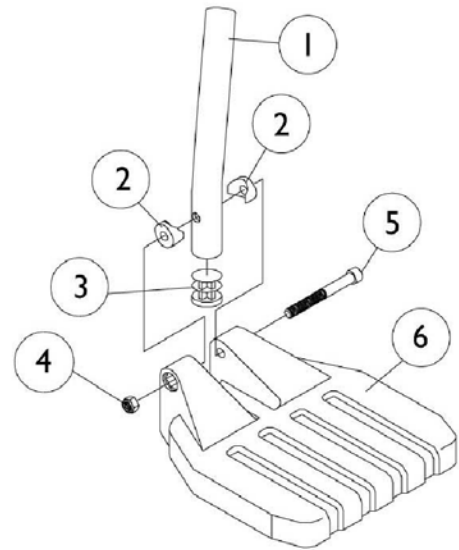
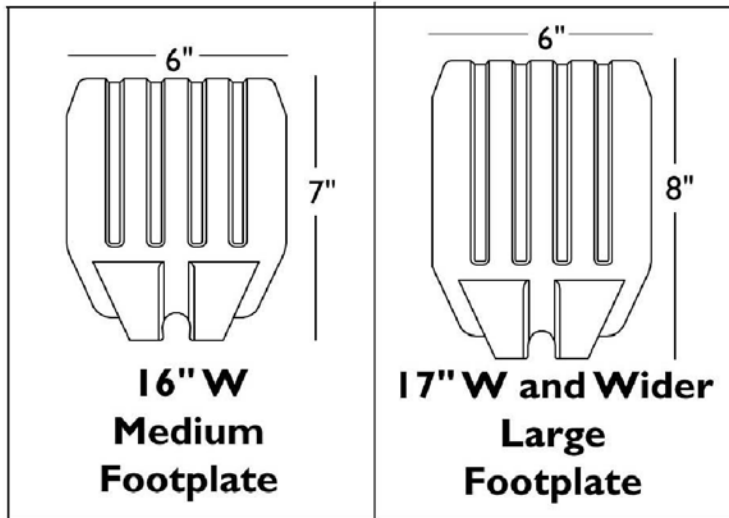
Item Number	Note	Part Number	Description	Quantity Per	
				Package	Assembly
1	A	8881091759	Pad w/Cover and Screws, Legrest Vinyl (Pair)	2	1
1	A	8881091764	Pad, Legrest Vinyl - Right/Left	1	1
2		04526X019	Plate, Legrest Pad	1	1
3		7930330	Locknut (5/16-24)	25	1
4		1025133	Spacer, Legrest Pad	1	1
5		1032267	Spacer, Legrest Pad Mounting	1	1
6		1037110	Screw, Hex Head (5/16-24 x 3-1/2")	1	1
7		1028514	Screw, Hex Head (5/16-24 x 1-1/2")	1	1
8		1066591	Screws, Phillips Head (#10-32 x 11/16")	2	1
9		48823X008	Spring, Leaf	1	1
10		7930363	Package, Locknut (5/16"-24)	25	2
11		1025104	Bracket, Legrest (Chrome)	1	1
12		1014807	Screw, Hex Head (5/16-24 x 3-1/4")	1	1
13		1032266	Bracket, Legrest Pad Mounting	1	1

NOTE: A - Specify upholstery color. See page titled "Frame Finishes, Touch-Up Paints and Upholstery Options".

Pivot/Slide Tube and 1651 Composite Footplates

NOTE: Heel Loops are not included. See Footrest and Legrest Accessories.

NOTE: For complete pivot/slide tube and footplate assemblies, see Front Riggings Reference Charts



Pivot/Slide Tube and 1651 Composite Footplates

NOTE: Heel Loops are not included. See Footrest and Legrest Accessories.

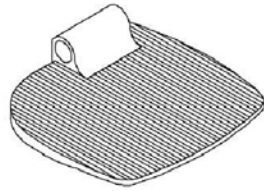
NOTE: For complete pivot/slide tube and footplate assemblies, see Front Riggings Reference Charts

Item Number	Note	Part Number	Description	Quantity Per	
				Package	Assembly
1		1057852	Pivot/Slide Tube, Curved End (9-7/8") (Steel)	1	1
1		1057854	Pivot/Slide Tube, Curved End 2" Longer (Steel)	1	1
1		1058418	Pivot/Slide Tube, Curved End 4" Longer (Steel)	1	1
2		1025457	Spacer, Coved (1/4 x 3/4 x 11/32")	1	2
3		1027097	Plug Button, Black (3/4")	1	1
4		7930323	Package, Locknut (1/4-20)	25	1
5		7930366	Screw, Socket Head Cap (1/4-20 x 2-1/4")	25	1
6	A	1026880	Footplate, Composite - Medium (7" W x 6" L)	1	1
6	B	1026881	Footplate, Composite - Large (8" W x 6" L)	1	1
6	C	1026879	Footplate, Composite - Small (6" W x 6" L)	1	1
6	D	1026880	Footplate, Composite - Medium (7" W x 6" L)	1	1
6	E	1026881	Footplate, Composite - Large (8" W x 6" L)	1	1
NOTE: A - 16" Wide B - 17" and Wider C - 16"-17" Wide Tapered D - 18"-19" Wide Tapered E - 20" and Wider Tapered					

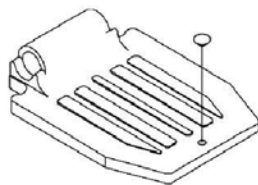
Pivot/Slide Tube and 1650, 1350 Aluminum Footplates

NOTE: Heel Loops are not included. See Footrest and Legrest Accessories

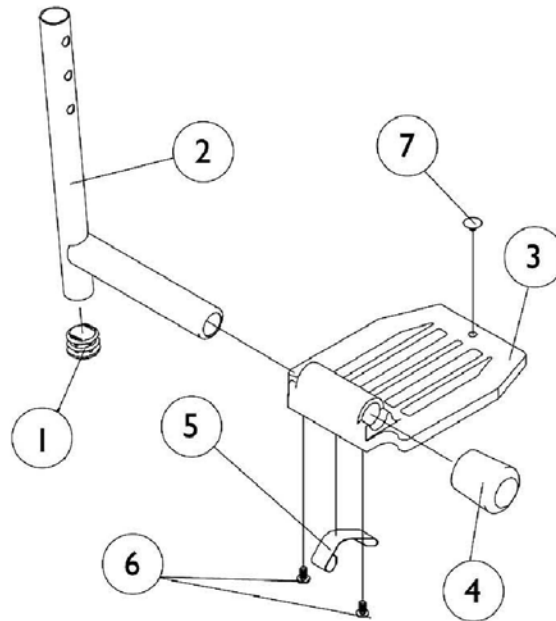
NOTE: For complete pivot/slide tube and footplate assemblies, see Front Riggings Reference Charts.



**1350
Extra Large**



**16"-24" Wide
1650 Standard Alum.**



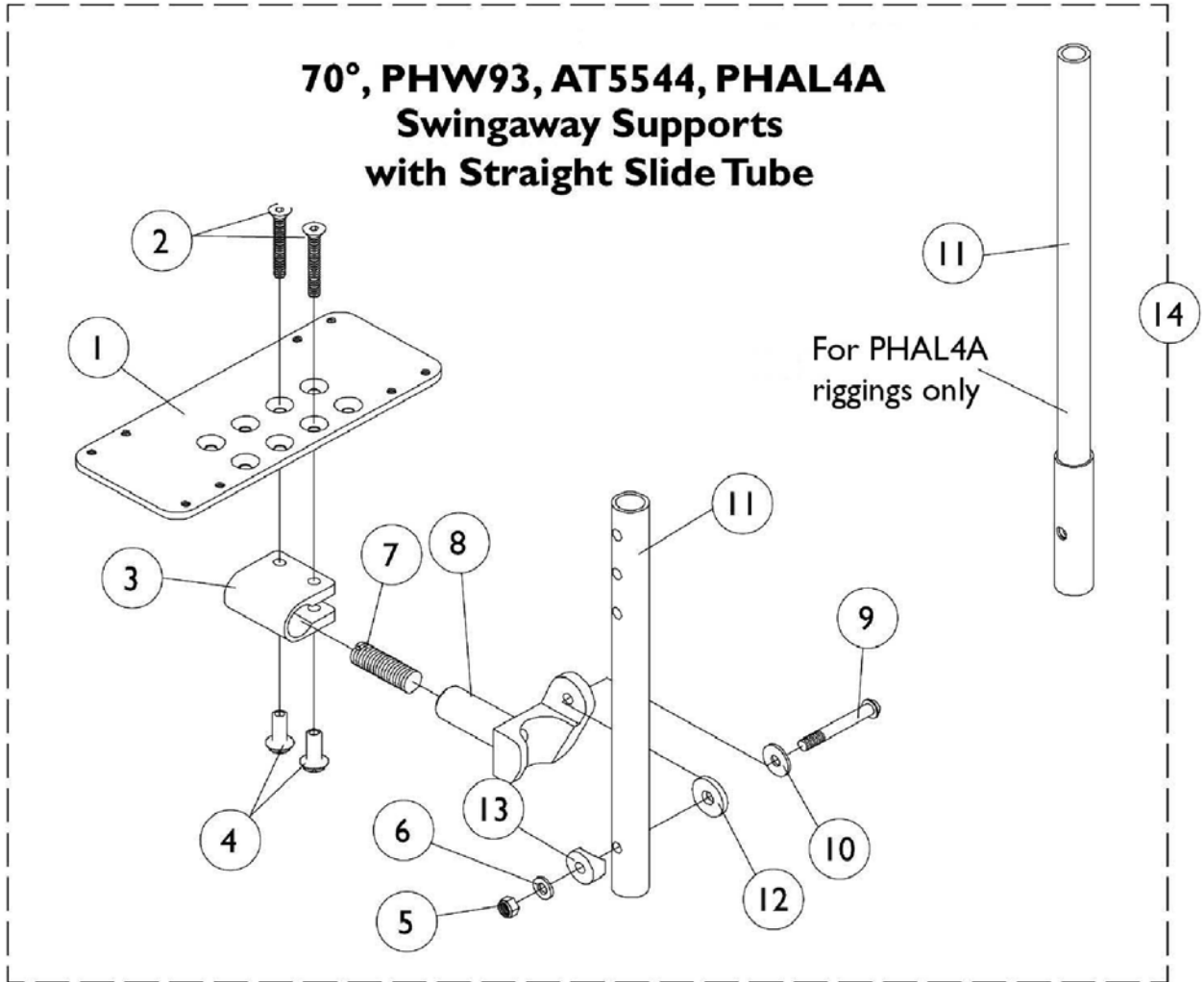
Item Number	Note	Part Number	Description	Quantity Per	
				Package	Assembly
1		1027097	Plug Button, Black (3/4")	1	1
2	A	1048834	Pivot/Slide Tube with Plug Button	1	1
2	A	1098906	Pivot/Slide Tube with Plug Button - 2" Longer	1	1
2	A	1086482	Pivot/Slide Tube with Plug Button - 4" Longer	1	1
2	B	1041526	Pivot/Slide Tube with Plug Button (Steel)	1	1
2	C	1041526	Pivot/Slide Tube with Plug Button (Steel)	1	1
3		44200X027	Footplate, Aluminum - Medium (7-3/4" W x 6" L)	1	1
3		44200X025	Footplate, Aluminum - Extra Large (8" W x 8-1/2" L) - Right	1	1
3		44200X026	Footplate, Aluminum - Extra Large (8" W x 8-1/2" L) - Left	1	1
4	D	1016346	Cap, Tube End (7/8")	1	1
4	E	1027095	Plug Button, Black (7/8")	1	1
5	D	1006981	Spring, Leaf	1	2
5	E	1036123	Spring, Leaf	1	1
6		7930354	Package, Phillips Head Screw (#8-32 x 3/8")	25	2
7		1070168	Push Plug, Footplate	1	1

NOTE: A - Extra Large footplate for AT5544, 70, PHW93,
 B - Extra Large footplate for PHAL4A
 C - Standard Aluminum footplate for PHAL4
 D - For Standard Aluminum footplate
 E - For Extra Large footplate

AT5543 Adjustable Angle Footplates

70deg, 70deg MFX, PHW93, 90DEG, AT5544, PHAL4A Swingaway Supports

NOTE: Heel loops are not included. See Footrest and Legrest Accessories.



AT5543 Adjustable Angle Footplates

70deg, 70deg MFX, PHW93, 90DEG, AT5544, PHAL4A Swingaway Supports

NOTE: Heel loops are not included. See Footrest and Legrest Accessories.

Item Number	Note	Part Number	Description	Quantity Per	
				Package	Assembly
1		1062569	Footplate, Adjustable Angle - X-Large (6-1/4" W x 8" L)	1	1
2		1029545	Screw, Socket Head Cap (1/4-20 x 3/4")	1	2
3		1058517	Clamp, Footplate	1	1
4		1082686	Nut, Hex Head (1/4-20 x 11/16")	1	2
5		7930333	Locknut (1/4-20)	25	1
6		1026907	Washer (1/4 x 1/2 x 1/16")	1	1
7		1048816	Screw, Nylon Adjustment (1/2-13 x 7/8")	1	1
8		1052102	Hinge, Footplate - Right	1	1
8		1052103	Hinge, Footplate - Left	1	1
9		7930321	Screw, Socket Button Head (1/4-20 x 1-7/8")	25	1
10		1026900	Washer (1/4 x 23/32 x 1/16")	1	1
11		1057855	Pivot/Slide Tube, Straight (9-7/8" Long - Steel)	1	1
11		1057856	Pivot/Slide Tube, Straight (11-7/8" Long - Steel)	1	1
11		1121135	Pivot/Slide Tube, Straight (13-7/8" Long - Steel)	1	1
11	A	1091745	Pivot/Slide Tube, Straight (13-7/8" Long - Steel)	1	1
12		7930313	Washer, Nylon (5/16 x 7/8 x 1/8")	25	1
13		1025457	Spacer, Coved (1/4 x 3/4 x 11/32")	1	1
14		See Chart	#14 Pivot/Slide Tubes with Footplates	1	1

NOTE: A - For PHAL4A only

#14 Pivot/ Slide Tube with Footplate Assemblies

Rigging Type	Side	16" and Wider 6-1/4" X-Large Footplate
70, PHW93, AT5544	Right	1062756
	Left	1062757
70, PHW93, AT5544, 2" Longer Slide Tube	Right	1062760
	Left	1062761
70, PHW93, AT5544, 4" Longer Slide Tube	Right	1121140
	Left	1121141
PHAL4A	Right	1091777
	Left	1091778

Footrest and Legrest Accessories

NOTE: Heel loops for Power Articulating Legrest located on Power Articulating Legrest page.

Footplate Type	Chair Width	Heel Loop Single #	Heel Loop Pair #	Heel Loop w/ Ankle Strap Single # Rt.	Heel Loop w/ Ankle Strap Single # Lt.	Heel Loop w/ Ankle Strap Pair #	Attaching Hardware Pair #
Composite Small (1651)	16-17" W Tapered	1028412	1035912	1035908	1035909	1035906	1035931
Composite Medium (1651)	16" W or 18-19" W Tapered	1017621	1035917	1035919	1035920	1035918	1035931
Composite Large (1651)	17-24" W or 20-24" W Tapered	1017621	1035917	1035932	1035933	1035930	1035931
Standard Aluminum (1650)	16-24" W	1017621	1035917	1035919	1035920	1035918	1035907
X-Large Aluminum (1350)	16-24" W	1017621	1035917	1035919	1035920	1035918	1055241

Attaching Hardware Part Numbers (Less AT5543)

Footplate Type	Part Number	Part Number Consists of
Composite (1651)	1035931	2 each Screw, PPH (1/4-20 x 2-1/4") 2 each Spacer (1/4 x 11/32 x 1-3/4") 2 each Locknut (1/4-20)
Standard Aluminum (1650)	1035907	2 each Screw, PPH (1/4-20 x 2-1/2") 2 each Spacer (1/4 x 11/32 x 1-3/4") 2 each Locknut (1/4-20)
X-Large Aluminum (1350)	1055241	2 each Screw, PPH (1/4-20 x 2-1/4") 2 each Spacer (1/4 x 11/32 x 1-3/4") 2 each Locknut (1/4-20)

Footrest and Legrest Accessories

NOTE: Heel loops for Power Articulating Legrest located on Power Articulating Legrest page.

Heel Loops/Heel Loops w/ Ankle Straps and Hardware (For AT5543)

Footplate Type	Part Number	Part Number Consists of
AT5543 Adj. Angle	1038245 Heel Loops w/ Hardware Adjustable Angle Footplate (Pair)	2 each Heel Loops 4 each Screw, SHC (10-32 x 1-1/2") 4 each Spacer (1/4 x 5/16 x 1-3/32") 4 each Washer (3/16 x 7/16 x 1/16")
AT5543 Adj. Angle	1038246 Heel Loops w/ Ankle Straps & Hardware Adjustable Angle Footplate (Pair)	2 each Heel Loops w/ Ankle Straps 4 each Screw, SHC (10-32 x 1-1/2") 4 each Spacer (1/4 x 5/16 x 1-3/32") 4 each Washer (3/16 x 7/16 x 1/16")

Toe Loops (1345) and Attaching Hardware

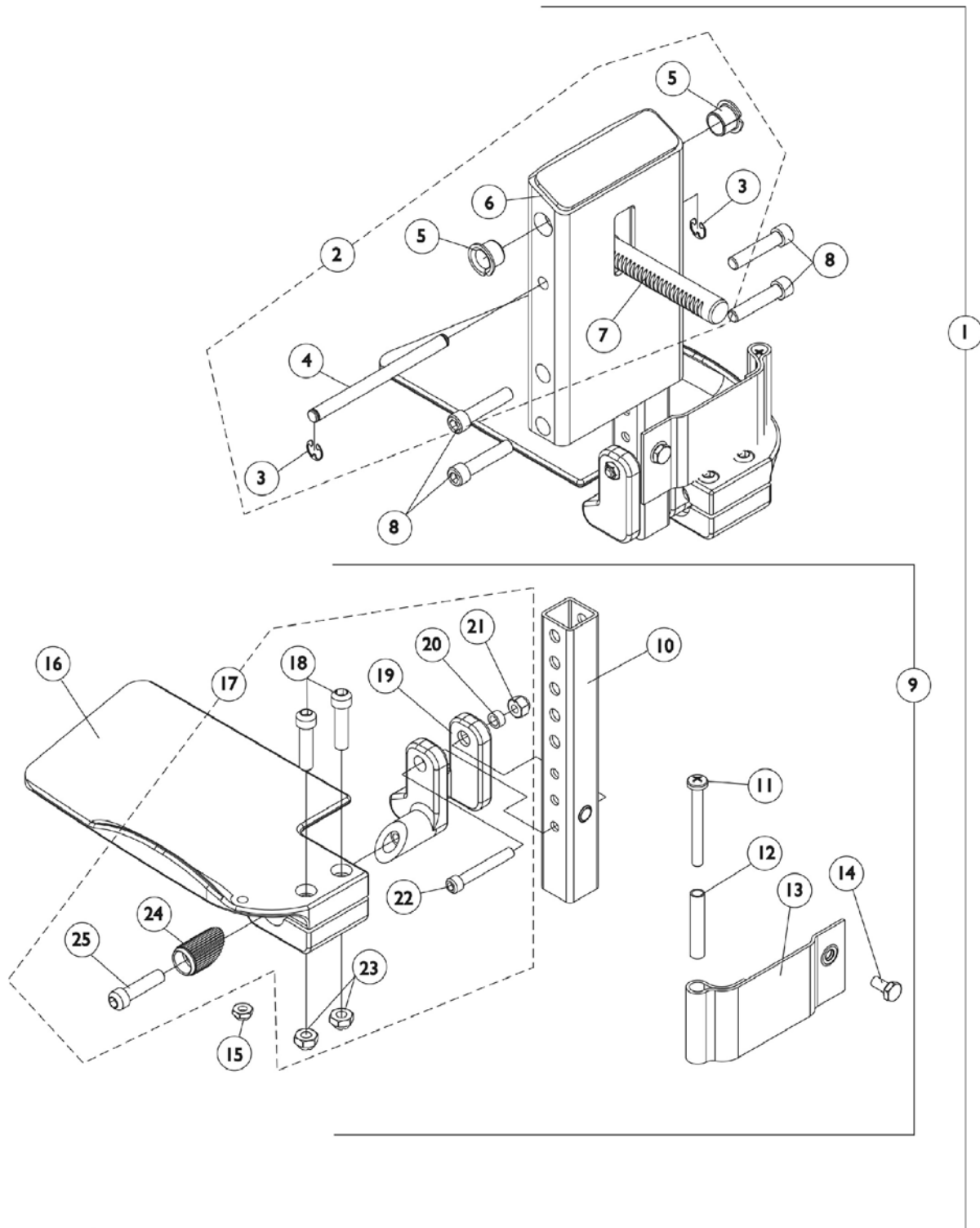
Footplate Type	Toe Loop w/o Hardware Single #	Toe Loop w/o Hardware Pair #	Attaching Hardware Part Number	Attaching Hardware Consists of
1651, 1650, 1350, Footplates	04572X025	1037087	1037089	4 each Screw, PPH (10-32 x 7/8") 4 each Washer (1/4 x 3/4 x 3/32") 4 each Locknut (10-32)
AT5543 Footplates	04572X025	1037087	1104749	4 each Screw, PPH (10-32 x 1/2") 4 each Washer (1/4 x 3/4 x 3/32")

Footrest and Legrest Accessories

NOTE: Heel loops for Power Articulating Legrest located on Power Articulating Legrest page.

Item Number	Note	Part Number	Description	Quantity Per	
				Package	Assembly
	A	See Chart	Heel Loops and Hardware (Less AT5543)	1	1
	A	See Chart	Attaching Hardware Part Numbers	1	1
	A	See Chart	Heel Loops/Heel Loops w/ Ankle Straps and Hardware AT5543	1	1
	A	See Chart	Toe Loops and Hardware	1	1
	A	1032243	Calf Strap w/ Hook and Loop (36" Long)	1	1
	A,C	1032215	H-Strap, 26" Long	1	1
	A,D	1032216	H-Strap, 31" Long	1	1
	A	1026987	Impact Guard, 8" Long	1	2
NOTE: A - Not Shown C - For 16-18" wide seats D - For 19" and wider seats					

Front Rigging - Center Mount Rigging CTMTJ/CTMT-FJ (CTMTJ/CTMT-FJ = 9-1/4" - 12" Range)



Front Rigging - Center Mount Rigging CTMTJ/CTMT-FJ (CTMTJ/CTMT-FJ = 9-1/4" - 12" Range)

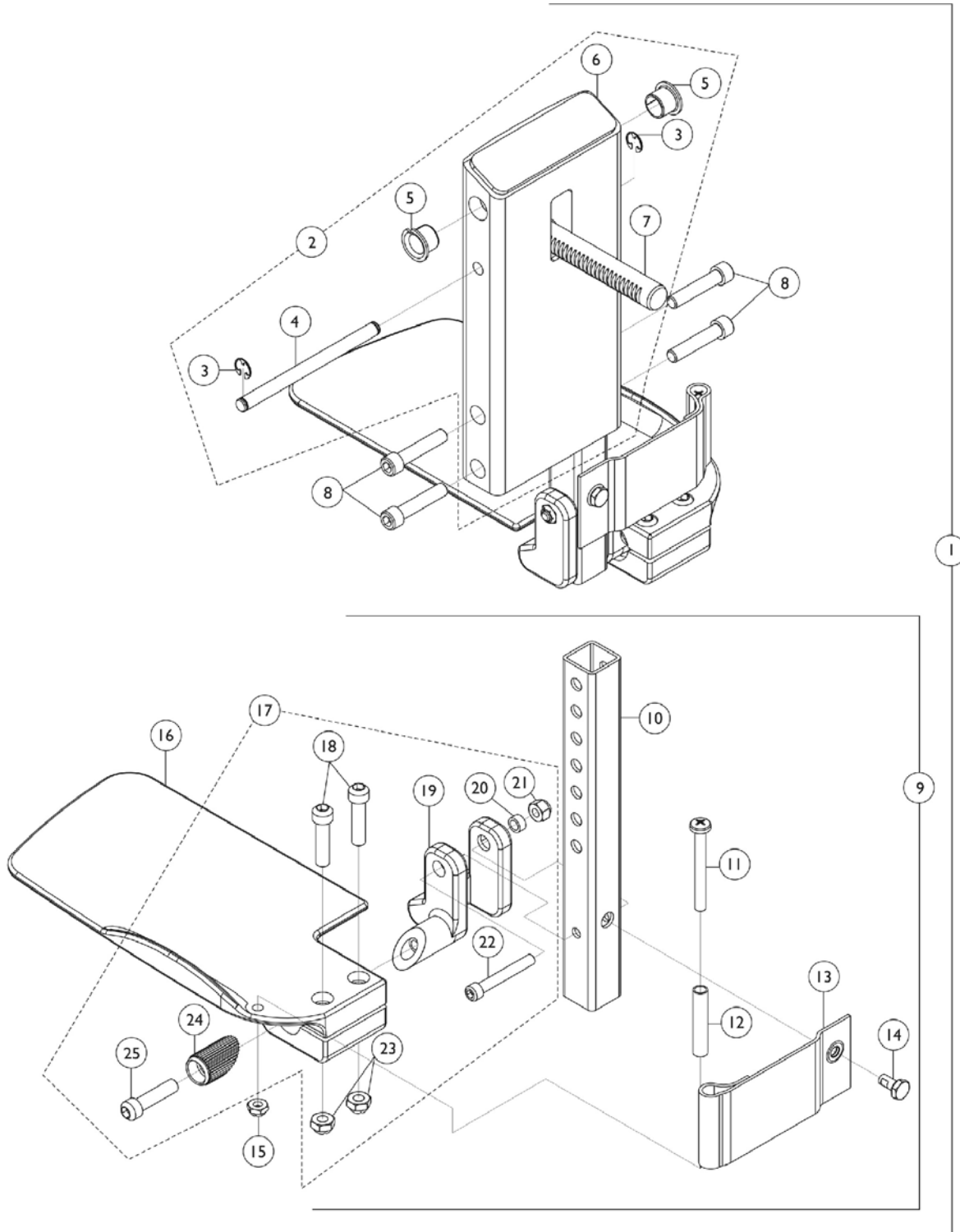
Item Number	Note	Part Number	Description	Quantity Per	
				Package	Assembly
1	A	1121990	Center Mount Rigging Assembly, Junior (CTMTJ/CTMT-FJ) ASBA/ADJASBA (9-1/4 - 12" Range)	1	1
2	B	1123021	Legrest Support Assembly, Center Mount, Junior, Black	1	1
3		1113376	Ring, Retainer (1/4 x 1/2 x 1/64")	1	2
4		1113373	Pin, Angle Adjustable A.S.B.A.	1	1
5		1110669	Bearing, Flanged (1/2 x 13/16 x 1/2")	1	2
6		1121984	Support, Junior Legrest (CTMTJ/CTMT-FJ)	1	1
7		1113372	Rack, Center Mount Rigging Angle Adjustable	1	1
8		1021344	Screw, Socket Head Cap (5/16-18 x 1-1/2")	1	4
9	C	1123042	Extension Tube and Footplate Assembly w/ Heel Loop, Junior - Right	1	1
9	C	1123043	Extension Tube and Footplate Assembly w/ Heel Loop, Junior - Left	1	1
10		1123044	Extension Tube, Footrest Short (CTMTJ/CTMT-FJ = 9-1/4" - 12" Range) (CTMT/CTMT-F = 12-1/4" - 15" Range) (PCTMT = 10" - 13" Range)	1	1
11		1021421	Screw, Phillips Pan Head (1/4-20 x 2-1/4")	1	2
12		1006477	Spacer (1/4 x 11/32 x 1-3/4")	1	2
13		1121996	Heel Loop, Center Mount Rigging	1	2
14		1078214	Screw, Hex Head Cap w/ Patch (1/4-20 x 1/2")	1	2
15		1025195	Locknut (1/4-20)	1	2
16	E	1121988	Footplate CTMTJ/CTMT-FJ (5-1/4" W x 8-13/16" L) - Right	1	1
16	E	1121989	Footplate CTMTJ/CTMT-FJ (5-1/4" W x 8-13/16" L) - Left	1	1
17	D	1120345	Center Mount Rigging Footplate Mounting Hardware - Right	1	1
17	D	1121123	Center Mount Rigging Footplate Mounting Hardware - Left	1	1
18		1021343	Screw, Socket Head Cap (5/16-18 x 1-1/4")	1	2
19		1113384	Hinge, Adjustable Angle - Right	1	1
19		1113385	Hinge, Adjustable Angle - Left	1	1
20		1047449	Spacer (1/4 x 3/8 x 3/16")	1	1
21		1065362	Locknut (1/4-28)	1	1
22		1096810	Screw, Socket Head (1/4-28 x 1-3/4")	1	1
23		1108122	Locknut (5/16-18)	1	2
24		1113530	Hinge Attachment	1	1
25		1021343	Screw, Socket Head Cap (5/16-18 x 1-1/4")	1	1

Front Rigging - Center Mount Rigging CTMTJ/CTMT-FJ (CTMTJ/CTMT-FJ = 9-1/4" - 12" Range)

NOTE: A - Includes items 2, 8 & 9
B - Includes items 3-7
C - Includes items 10-16 & 17
D - Includes items 18-25
E - Item #16 - Footplate design revised 2/28/07 to accommodate items 18 & 23. Replace footplates in pairs and order new footplate hardware for chairs mfg. before 2/28/07.

Front Rigging - Center Mount Rigging (CTMT/CTMT-F/CTMT-L/CTMT-FL)

(CTMT/CTMT-F = 12-1/4" - 15" Range) & (CTMT-L/CTMT-FL = 16" - 18-3/4" Range)



Front Rigging - Center Mount Rigging (CTMT/CTMT-F/CTMT-L/CTMT-FL)

(CTMT/CTMT-F = 12-1/4" - 15" Range) & (CTMT-L/CTMT-FL = 16" - 18-3/4" Range)

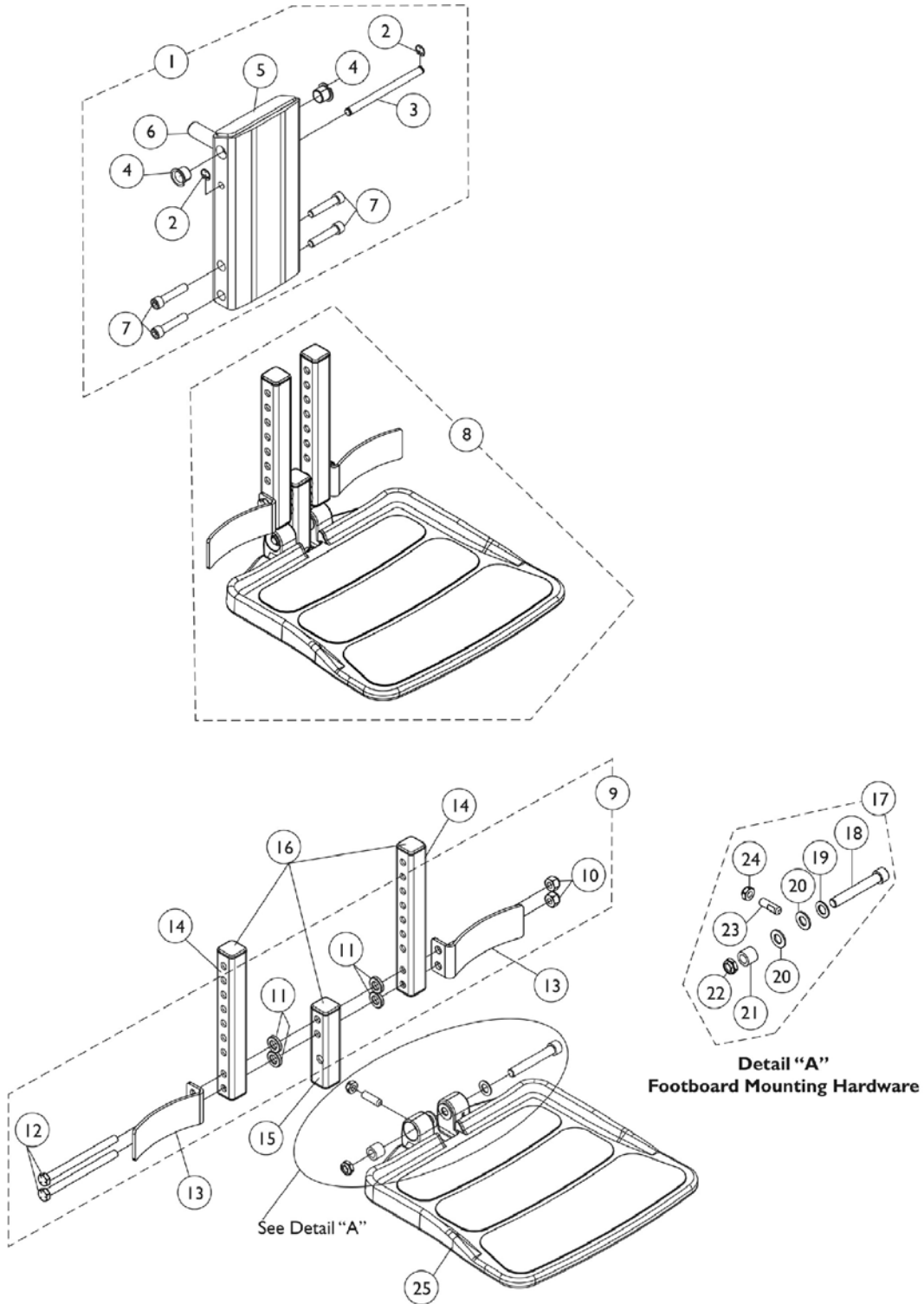
Item Number	Note	Part Number	Description	Quantity Per	
				Package	Assembly
1	A	1117262	Center Mount Rigging Assembly (CTMT) (CTMT-F), ASBA/ADJASBA (12-1/4 - 15" Range)	1	1
1	A	1117263	Center Mount Rigging (CTMT-L) (CTMT-FL), ASBA/ADJASBA (16" - 18-3/4" Range)	1	1
2	B	1120346	Legrest Support Assembly, Center Mount, Black	1	1
3		1113376	Ring, Retainer (1/4 x 1/2 x 1/64")	1	2
4		1113373	Pin, Angle Adjustable A.S.B.A.	1	1
5		1110669	Bearing, Flanged (1/2 x 13/16 x 1/2")	1	2
6		1113609	Support, Center Mount Rigging Legrest	1	1
7		1113372	Rack, Center Mount Rigging Angle Adjustable	1	1
8		1021344	Screw, Socket Head Cap (5/16-18 x 1-1/2")	1	4
9	C	1123034	Extension Tube and Footplate Assembly with Heel Loop, Short - Right	1	1
9	C	1123035	Extension Tube and Footplate Assembly with Heel Loop, Short - Left	1	1
9	C	1123036	Extension Tube and Footplate Assembly with Heel Loop, Long - Right	1	1
9	C	1123037	Extension Tube and Footplate Assembly with Heel Loop, Long - Left	1	1
10		1123044	Extension Tube, Footrest Short (CTMTJ/CTMT-FJ = 9-1/4" - 12" Range) (CTMT/CTMT-F = 12-1/4" - 15" Range) (PCTMT = 10" - 13" Range)	1	1
10		1123045	Extension Tube, Footrest Long (CTMT-L/CTMT-FL = 16" - 18-3/4" Range) (PCTMT-L = 14" - 17" Range)	1	1
11		1021421	Screw, Phillips Pan Head (1/4-20 x 2-1/4")	1	2
12		1006477	Spacer (1/4 x 11/32 x 1-3/4")	1	2
13		1121996	Heel Loop, Center Mount Rigging	1	2
14		1078214	Screw, Hex Head Cap w/ Patch (1/4-20 x 1/2")	1	2
15		1025195	Locknut (1/4-20)	1	2
16	E	1113606	Footplate, Center Mount Rigging - Right (5-1/4" W x 9-5/8" L)	1	1
16	E	1113607	Footplate, Center Mount Rigging - Left (5-1/4" W x 9-5/8" L)	1	1
17	D	1120345	Center Mount Rigging Footplate Mounting Hardware - Right	1	1
17	D	1121123	Center Mount Rigging Footplate Mounting Hardware - Left	1	1
18		1021343	Screw, Socket Head Cap (5/16-18 x 1-1/4")	1	2
19		1113384	Hinge, Adjustable Angle - Right	1	1
19		1113385	Hinge, Adjustable Angle - Left	1	1

Front Rigging - Center Mount Rigging (CTMT/CTMT-F/CTMT-L/CTMT-FL)

(CTMT/CTMT-F = 12-1/4" - 15" Range) & (CTMT-L/CTMT-FL = 16" - 18-3/4" Range)

Item Number	Note	Part Number	Description	Quantity Per	
				Package	Assembly
20		1047449	Spacer (1/4 x 3/8 x 3/16")	1	1
21		1065362	Locknut (1/4-28)	1	1
22		1096810	Screw, Socket Head (1/4-28 x 1-3/4")	1	1
23		1108122	Locknut (5/16-18)	1	2
24		1113530	Hinge Attachment	1	1
25		1021343	Screw, Socket Head Cap (5/16-18 x 1-1/4")	1	1
NOTE: A - Includes items 2, 8 & 9 B - Includes items 3-7 C - Includes items 10-16 & 17 D - Includes items 18-25 E - Item #16 - Footplate design revised 2/28/07 to accommodate items 18 & 23. Replace footplates in pairs and order new footplate hardware for chairs mfg. before 2/28/07.					

Front Rigging - Center Mount Rigging (CTMT-F/CTMT-FL with FBCTMT One PC Flip-Up Footboard) (CTMT-F = 12-1/4" - 15" Range) & (CTMT-FL = 16" - 18-3/4" Range)

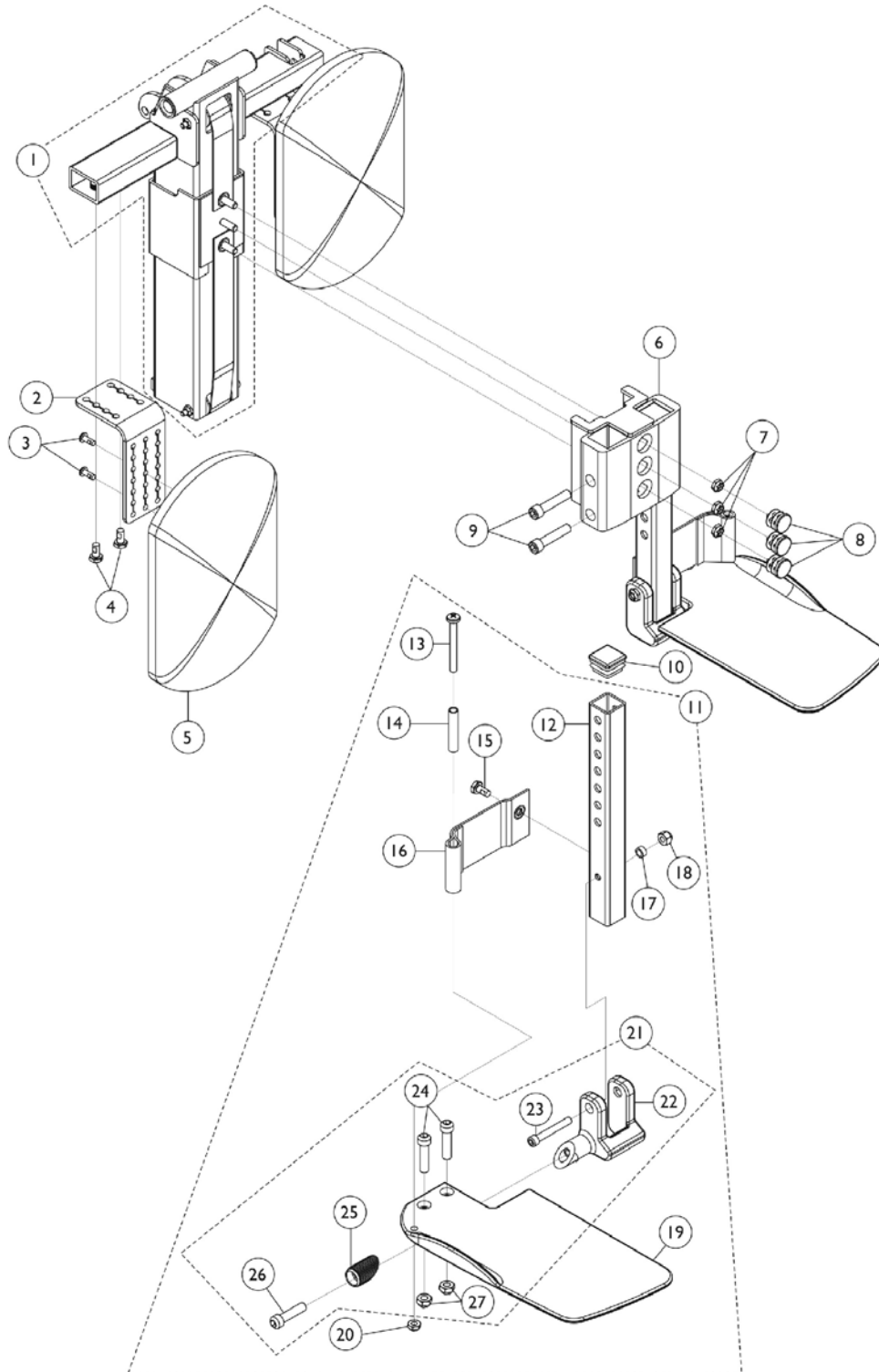


Front Rigging - Center Mount Rigging (CTMT-F/CTMT-FL with FBCTMT One PC Flip-Up Footboard) (CTMT-F = 12-1/4" - 15" Range) & (CTMT-FL = 16" - 18-3/4" Range)

Item Number	Note	Part Number	Description	Quantity Per	
				Package	Assembly
1	A	1148725	Legrest Support Assembly, Center Mount Rigging	1	1
2			Ring, Retainer (1/4 x 1/2 x 1/64")	1	2
3			Pin, Angle Adjustable A.S.B.A.	1	1
4			Bearing, Flanged (1/2 x 13/16 x 1/2")	1	2
5			Support, Center Mount Rigging Legrest	1	1
6			Rack, Center Mount Rigging Angle Adjustable	1	1
7			Screw, Socket Head Cap (5/16-18 x 1-1/2")	1	4
7		1021344	Screw, Socket Head Cap (5/16-18 x 1-1/2")	1	4
8	B	1148722	Footboard Assembly, FBCTMT (For CTMT-F 12-1/4" - 15" Range & PCTMT 10"-13" Range)	1	1
8	B	1148724	Footboard Assembly Long, FBCTMT (For CTMT-FL 16" - 18-3/4" Range & PCTMT-L 14"-17" Range)	1	1
9	C	1144608	Kit, Heel Stop and Extension Tube Mounting Hardware	1	1
10			Locknut (5/16-18)	1	2
11			Bushing, Actuator Motor (3/8 x 3/4 x 5/32")	1	4
12			Screw, Hex Head (5/16-18 x 4")	1	2
13	F	1153789	Bracket, Heel Stop	1	2
14	G	1148711	Tube, Extension - Short (For CTMT-F 12-1/4" - 15" Range & PCTMT 10"-13" Range)	1	2
14	G	1148721	Tube, Extension - Long (For CTMT-FL 16" - 18-3/4" Range & PCTMT-L 14"-17" Range)	1	2
15	D	1144607	Tube, Vertical Support w/ Caps	1	1
16		1144609	Package, End Caps (1" Square)	10	1
17	E	1147134	Kit, Footboard Mounting Hardware	1	1
18			Screw, Socket Head (3/8-16 x 2-1/2")	1	1
19			Washer, Flat (3/8 x 11/16 x 1/16")	1	1
20			Washer, Nylon (3/8 x 3/4 x 1/16")	1	2
21			Bushing (3/8 x 5/8 x 1/2")	1	1
22			Locknut, Low Profile (3/8-16)	1	1
23			Screw, Socket Set Flat (5/16-18 x 1")	1	1
24			Locknut (5/16-18)	1	1
25		1114311	Footboard w/ Cover (11-1/4" Wide x 11-1/2" Long)	1	1

NOTE: A - Includes items 2-7
B - Includes items 9, 13, 14, 15, 17 and 25
C - Includes items 10-12
D - Extension Tube and Vertical Support Tube includes Tube Caps at both ends
E - Includes items 18-24
F - Heel Stop Bracket was revised 2/6/08. It is recommended to order in pairs to match for chairs manufactured before 2/6/08.
G - End Caps are no longer used or required for the extension tube as of 4/9/08

Power Center Mount Rigging, PCTMT/PCTMT-L (PCTMT = 10"-13" Range) & (PCTMT-L = 14"-17" Range) Conventional and Contoura Seating



Power Center Mount Rigging, PCTMT/PCTMT-L (PCTMT = 10"-13" Range) & (PCTMT-L = 14"-17" Range) Conventional and Contoura Seating

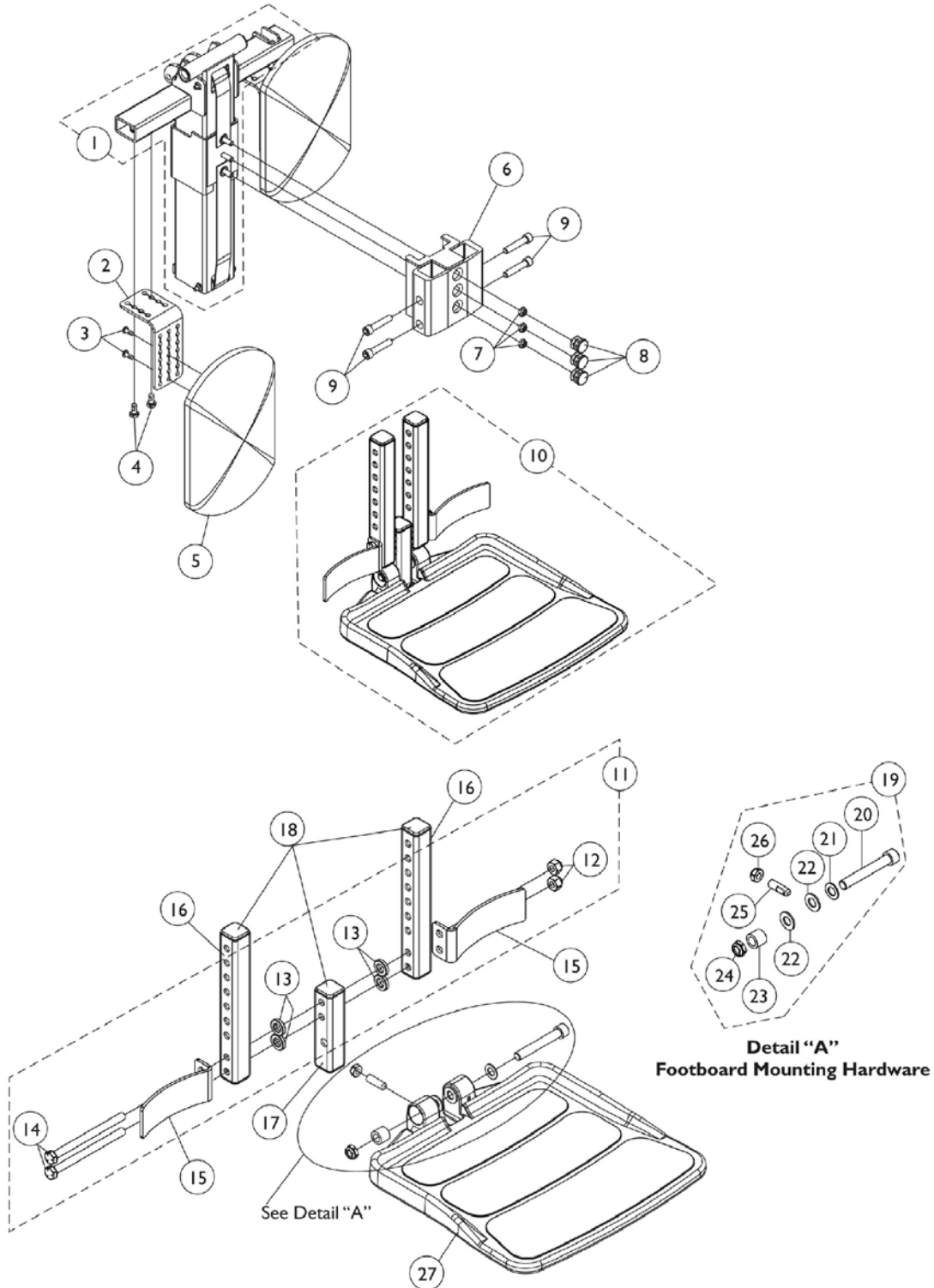
Item Number	Note	Part Number	Description	Quantity Per	
				Package	Assembly
1		1125683	Bottom Pulley Center Carriage Assembly	1	1
2		1124754	Bracket, Calf Pad Mounting	1	2
3		1134086	Screw, Socket Button Head w/ Patch (#10-32 x 1/2")	1	4
4		1078214	Screw, Hex Head Cap w/ Patch (1/4-20 x 1/2")	1	4
5		8881091764	Pad, Legrest Vinyl - Right/Left	1	2
6		1125628	Carriage, Footplate	1	1
7		1025195	Locknut (1/4-20)	1	3
8		1027097	Plug Button, Black (3/4")	1	3
9		1021344	Screw, Socket Head Cap (5/16-18 x 1-1/2")	1	4
10		1096795	Plug Button, Square, Black (1")	1	2
11	A,C	1123034	Extension Tube and Footplate Assembly with Heel Loop, Short - Right	1	1
11	A,C	1123035	Extension Tube and Footplate Assembly with Heel Loop, Short - Left	1	1
11	A,C	1123036	Extension Tube and Footplate Assembly with Heel Loop, Long - Right	1	1
11	A,C	1123037	Extension Tube and Footplate Assembly with Heel Loop, Long - Left	1	1
12		1123044	Extension Tube, Footrest Short (CTMTJ/CTMT-FJ = 9-1/4" - 12" Range) (CTMT/CTMT-F = 12-1/4" - 15" Range) (PCTMT = 10" - 13" Range)	1	1
12		1123045	Extension Tube, Footrest Long (CTMT-L/CTMT-FL = 16" - 18-3/4" Range) (PCTMT-L = 14" - 17" Range)	1	1
13		1021421	Screw, Phillips Pan Head (1/4-20 x 2-1/4")	1	2
14		1006477	Spacer (1/4 x 11/32 x 1-3/4")	1	2
15		1078214	Screw, Hex Head Cap w/ Patch (1/4-20 x 1/2")	1	2
16		1121996	Heel Loop, Center Mount Rigging	1	2
17		1047449	Spacer (1/4 x 3/8 x 3/16")	1	2
18		1065362	Locknut (1/4-28)	1	2
19		1113606	Footplate, Center Mount Rigging - Right (5-1/4" W x 9-5/8" L)	1	1
19		1113607	Footplate, Center Mount Rigging - Left (5-1/4" W x 9-5/8" L)	1	1
20		1025195	Locknut (1/4-20)	1	1
21	B	1120345	Center Mount Rigging Footplate Mounting Hardware - Right	1	1
21	B	1121123	Center Mount Rigging Footplate Mounting Hardware - Left	1	1
22		1113384	Hinge, Adjustable Angle - Right	1	1
22		1113385	Hinge, Adjustable Angle - Left	1	1

Power Center Mount Rigging, PCTMT/PCTMT-L (PCTMT = 10"-13" Range) & (PCTMT-L = 14"-17" Range) Conventional and Contoura Seating

Item Number	Note	Part Number	Description	Quantity Per	
				Package	Assembly
23		1096810	Screw, Socket Head (1/4-28 x 1-3/4")	1	2
24		1021343	Screw, Socket Head Cap (5/16-18 x 1-1/4")	1	2
25		1113530	Hinge Attachment	1	2
26		1021343	Screw, Socket Head Cap (5/16-18 x 1-1/4")	1	2
27		1108122	Locknut (5/16-18)	1	2
NOTE: A - Includes items 12-21 B - Includes items 22-27 C - Item #11 - Footplate design revised 2/28/07 to accommodate items 24 & 27. Replace footplates in pairs and order new footplate hardware for chairs mfg. before 2/28/07.					

Front Rigging - Power Center Mount Rigging (PCTMT/PCTMT-L with FBCTMT One PC Flip-Up Footboard)

(PCTMT = 10"-13" Range) & (PCTMT-L = 14"-17" Range)



Front Rigging - Power Center Mount Rigging (PCTMT/PCTMT-L with FBCTMT One PC Flip-Up Footboard)

(PCTMT = 10"-13" Range) & (PCTMT-L = 14"-17" Range)

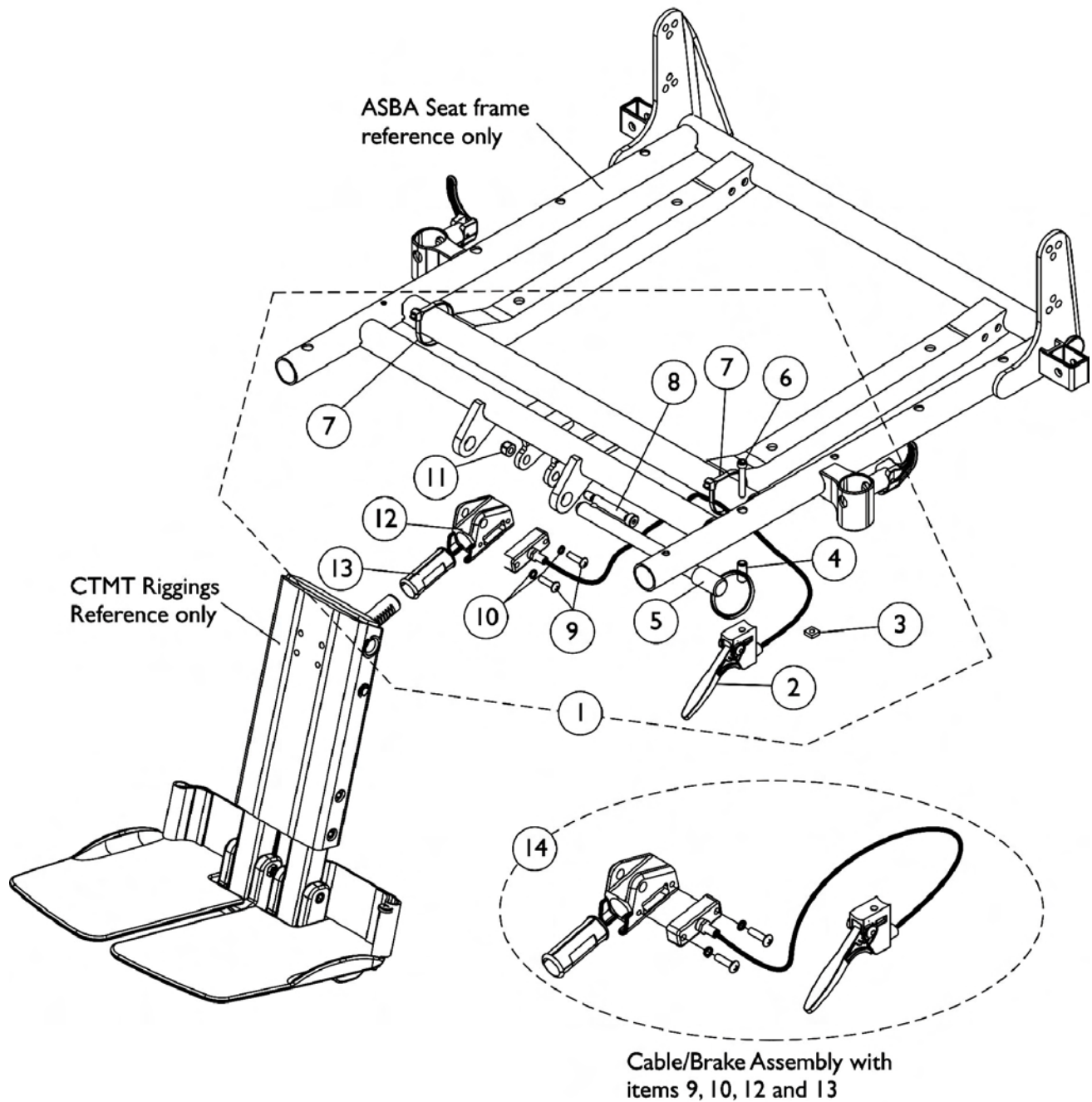
Item Number	Note	Part Number	Description	Quantity Per	
				Package	Assembly
1		1125683	Bottom Pulley Center Carriage Assembly	1	1
2		1124754	Bracket, Calf Pad Mounting	1	2
3		1134086	Screw, Socket Button Head w/ Patch (#10-32 x 1/2")	1	2
4		1078214	Screw, Hex Head Cap w/ Patch (1/4-20 x 1/2")	1	2
5		8881091764	Pad, Legrest Vinyl - Right/Left	1	2
6		1125628	Carriage, Footplate	1	1
7		1025195	Locknut (1/4-20)	1	3
8		1027097	Plug Button, Black (3/4")	1	3
9		1021344	Screw, Socket Head Cap (5/16-18 x 1-1/2")	1	4
10	A	1148722	Footboard Assembly, FBCTMT (For CTMT-F 12-1/4" - 15" Range & PCTMT 10"-13" Range)	1	1
10	A	1148724	Footboard Assembly Long, FBCTMT (For CTMT-FL 16" - 18-3/4" Range & PCTMT-L 14"-17" Range)	1	1
11	B	1144608	Kit, Heel Stop and Extension Tube Mounting Hardware	1	1
12			Locknut (5/16-18)	1	2
13			Bushing, Actuator Motor (3/8 x 3/4 x 5/32")	1	4
14			Screw, Hex Head (5/16-18 x 4")	1	2
15	E	1153789	Bracket, Heel Stop	1	2
16	F	1148711	Tube, Extension - Short (For CTMT-F 12-1/4" - 15" Range & PCTMT 10"-13" Range)	1	2
16	F	1148721	Tube, Extension - Long (For CTMT-FL 16" - 18-3/4" Range & PCTMT-L 14"-17" Range)	1	2
17	C	1144607	Tube, Vertical Support w/ Caps	1	1
18		1144609	Package, End Caps (1" Square)	10	1
19	D	1147134	Kit, Footboard Mounting Hardware	1	1
20			Screw, Socket Head (3/8-16 x 2-1/2")	1	1
21			Washer, Flat (3/8 x 11/16 x 1/16")	1	1
22			Washer, Nylon (3/8 x 3/4 x 1/16")	1	2
23			Bushing (3/8 x 5/8 x 1/2")	1	1
24			Locknut, Low Profile (3/8-16)	1	1
25			Screw, Socket Set Flat (5/16-18 x 1")	1	1
26			Locknut (5/16-18)	1	1
27		1114311	Footboard w/ Cover (11-1/4" Wide x 11-1/2" Long)	1	1

NOTE: A - Includes items 11, 15, 16, 17, 19 and 27
 B - Includes items 12-14
 C - Extension Tubes and Vertical Support Tube includes Tube Caps at both ends
 D - Includes items 20-26
 E - Heel Stop Bracket was revised 2/6/08. It is recommended to order in pairs to match for chairs manufactured before 2/6/08.
 F - End Caps are no longer used or required for the extension tube as of 4/9/08

Center Mount Rigging Mounting Hardware

CTMT/CTMT-L and CTMTJ

Elevate Only For ASBA Seating (Before 7/5/05)

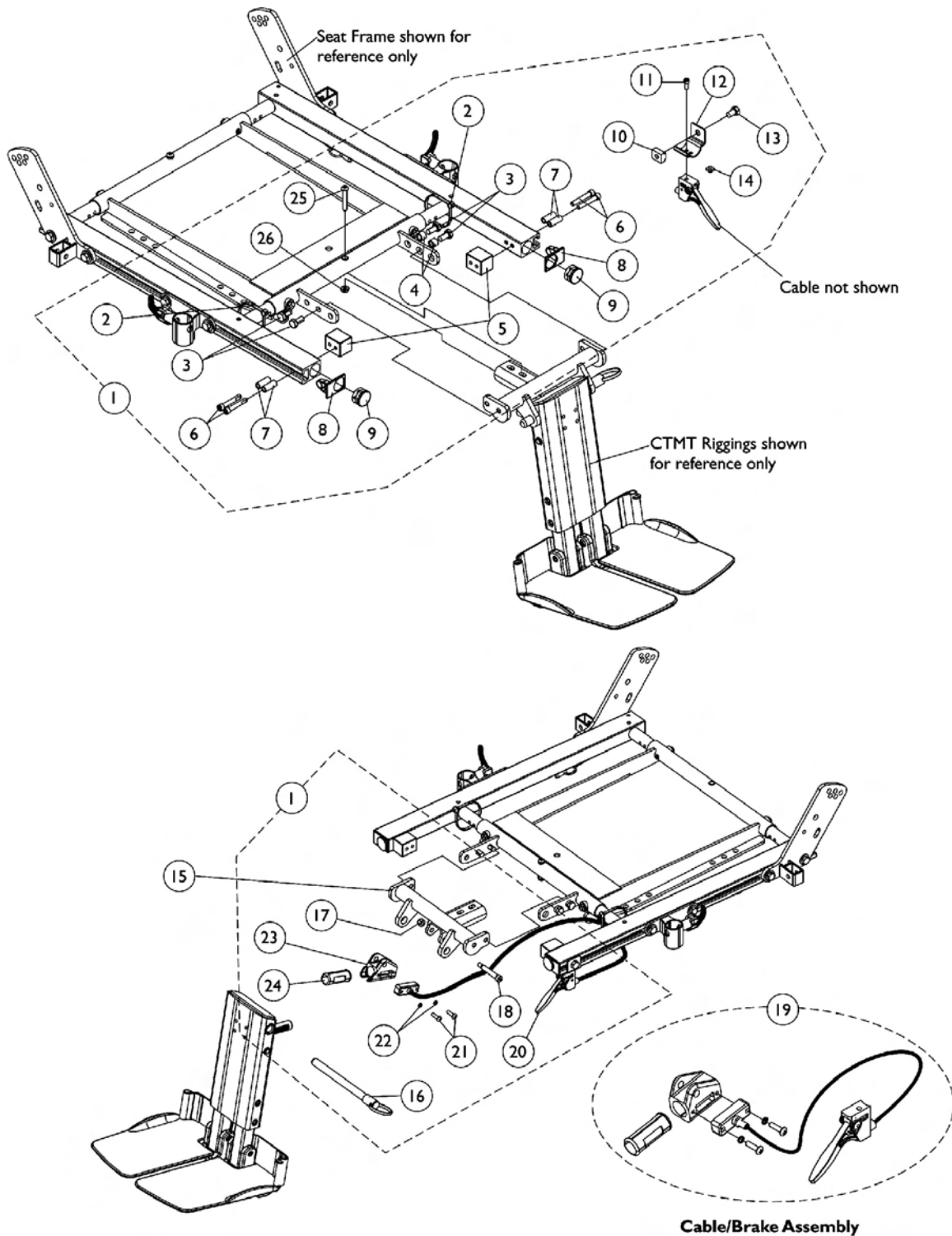


Center Mount Rigging Mounting Hardware
CTMT/CTMT-L and CTMTJ
Elevate Only For ASBA Seating (Before 7/5/05)

Item Number	Note	Part Number	Description	Quantity Per	
				Package	Assembly
1	A	1117264	Kit, Center Mount Rigging Mounting Hardware	1	1
2			Cable/Brake Assembly	1	1
3			Nut, Square (#10-32)	1	1
4			Spacer (5/16 x 3/16 x 3/4")	1	1
5			Pin, Quick Release (5" Long)	1	1
6			Screw, Socket Head (#10-32 x 1-1/4")	1	1
7			Cable Tie (11-1/2" Long)	1	2
8			Screw, Socket Head Shoulder (5/16 x 1-5/8")	1	1
9			Screw, Phillips Pan Head (#10-32 x 11/16")	1	2
10			Washer, Lock (3/16 x 5/16 x 1/16")	1	2
11			Locknut (1/4-20)	1	1
12			Housing, Ratchet	1	1
13			Bearing, Glide	1	2
14	B	1121079	Cable/Brake Assembly with Ratchet Housing and Glide Bearing	1	1

NOTE: A - Includes items 2-13
B - Includes items 2, 9, 10, 12 and 13

Center Mount Rigging Mounting Hardware (CTMT-F/CTMT-FL) and (CTMT-FJ) Elevate Only For ADJASBA Seating (After 7/4/05)



Center Mount Rigging Mounting Hardware (CTMT-F/CTMT-FL) and (CTMT-FJ) Elevate Only For ADJASBA Seating (After 7/4/05)

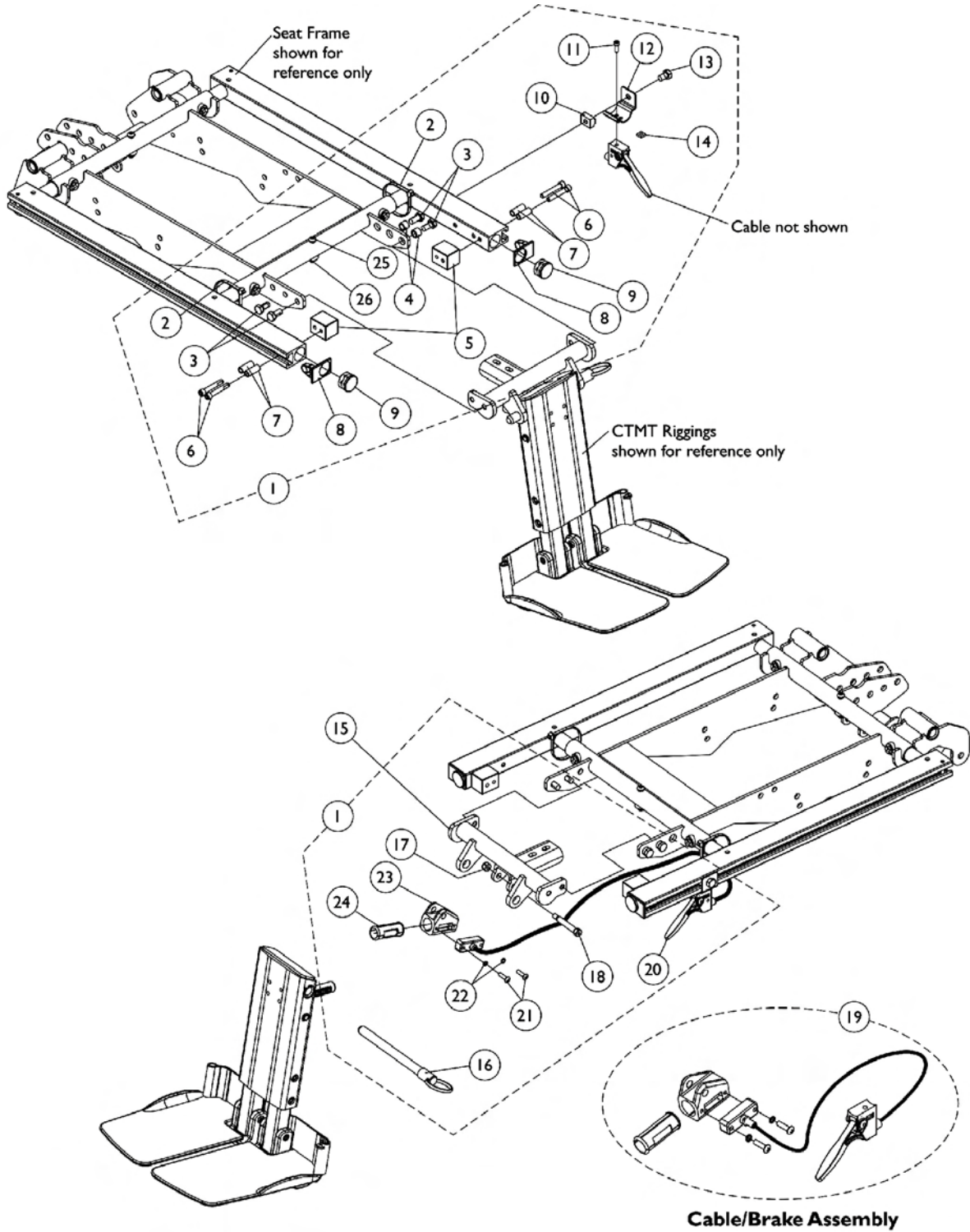
Item Number	Note	Part Number	Description	Quantity Per	
				Package	Assembly
1	A	1124701	Kit, CTMT-F/CTMT-FL/CTMT-FJ Center Mount Riggings Mounting Hardware	1	1
2			Cable Tie (11-1/2" Long)	1	2
3			Screw, Hex Head (5/16-18 x 5/8")	1	4
4			Spacer (5/16 x 7/16 x 3/8")	1	2
5			Block, Threaded	1	2
6			Screw, Socket Head Cap w/ Patch (1/4-20 x 1-1/2")	1	4
7			Spacer (1/4 x 3/8 x 29/32")	1	4
8			Cap, Side Rail End	1	2
9			Plug Button, Black (1")	1	2
10			T-Nut (5/16-18)	1	1
11			Screw, Socket Head (#10-32 x 1/2")	1	1
12			Bracket, Release Handle Mounting	1	1
13			Screw, Hex Head Cap w/ Patch (5/16-18 x 1/2")	1	1
14			Nut, Square (#10-32)	1	1
16			Pin, Quick Release (5" Long)	1	1
17			Locknut (1/4-20)	1	1
18			Screw, Socket Head Shoulder (5/16 x 1-5/8")	1	1
20			Cable/Brake Assembly	1	1
21			Screw, Phillips Pan Head (#10-32 x 11/16")	1	2
22			Washer, Lock (3/16 x 5/16 x 1/32")	1	2
23			Housing, Ratchet	1	1
24			Bearing, Glide	1	1
25			Screw, Socket Button Head (1/4-20 x 1-1/2")	1	1
26			Locknut (1/4-20)	1	1
15	C	1122675	Support, Center Mount Rigging (16"-19" Seat Depths)	1	1
15	D	1136001	Support, Center Mount Rigging (Long) (19"-22" Seat Depths)	1	1
19	B	1121079	Cable/Brake Assembly with Ratchet Housing and Glide Bearing	1	1
20		1113622	Cable/Brake Assembly	1	1
21		40163X008	Screw, Phillips Pan Head (#10-32 x 11/16")	1	2
22		1028527	Washer, Lock (3/16 x 5/16 x 1/32")	1	2
23		1113389	Housing, Ratchet	1	1
24		1113383	Bearing, Glide	1	1

NOTE: A - Includes items 2-14, 16-18 and 20-26
B - Includes items 20-24
C - Support used for 16"-19" deep seats
D - Support used for 19"-22" deep seats

Center Mount Rigging Mounting Hardware

CTMT-F/CTMT-FL and CTMT-FJ

Conventional and Contoura Seating



Center Mount Rigging Mounting Hardware

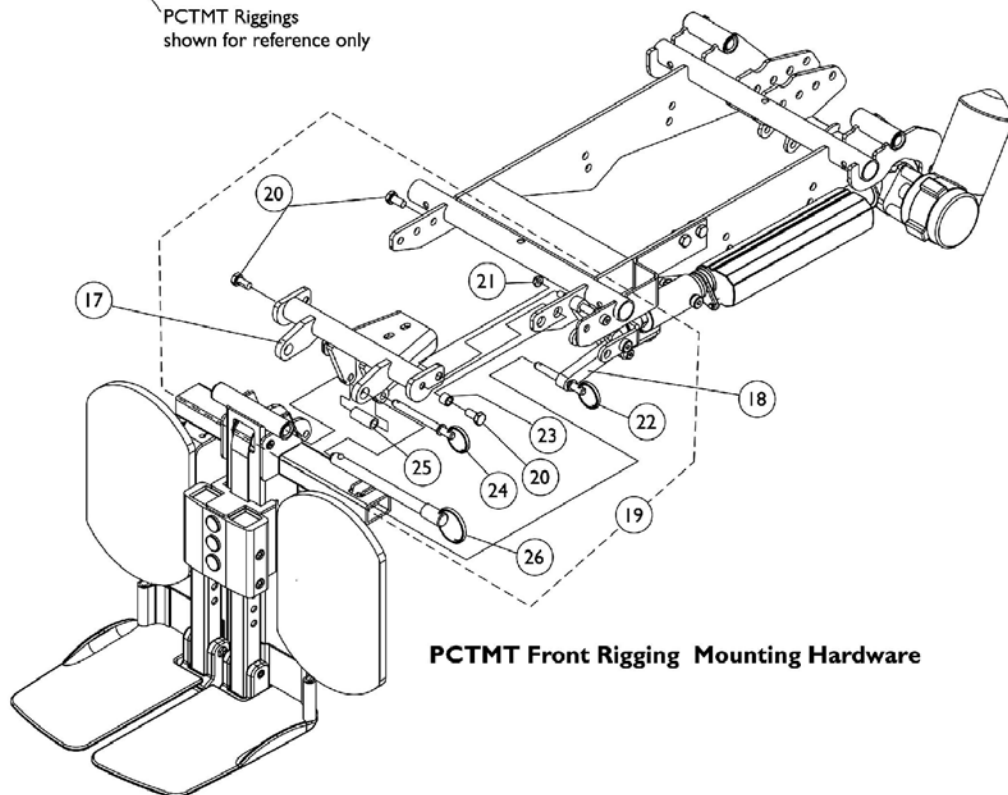
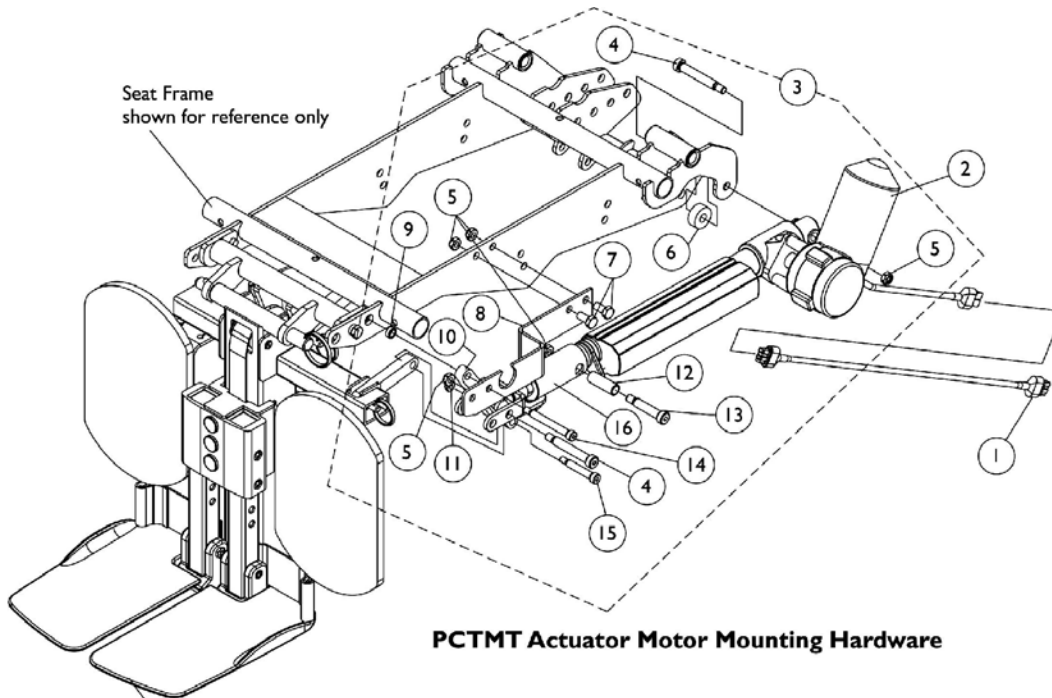
CTMT-F/CTMT-FL and CTMT-FJ

Conventional and Contoura Seating

Item Number	Note	Part Number	Description	Quantity Per	
				Package	Assembly
1	A	1124701	Kit, CTMT-F/CTMT-FL/CTMT-FJ Center Mount Riggings Mounting Hardware	1	1
2			Cable Tie (11-1/2" Long)	1	2
3			Screw, Hex Head (5/16-18 x 5/8")	1	4
4			Spacer (5/16 x 7/16 x 3/8")	1	2
5			Block, Threaded	1	2
6			Screw, Socket Head Cap w/ Patch (1/4-20 x 1-1/2")	1	4
7			Spacer (1/4 x 3/8 x 29/32")	1	4
8			Cap, Side Rail End	1	2
9			Plug Button, Black (1")	1	2
10			T-Nut (5/16-18)	1	1
11			Screw, Socket Head (#10-32 x 1/2")	1	1
12			Bracket, Release Handle Mounting	1	1
13			Screw, Hex Head Cap w/ Patch (5/16-18 x 1/2")	1	1
14			Nut, Square (#10-32)	1	1
16			Pin, Quick Release (5" Long)	1	1
17			Locknut (1/4-20)	1	1
18			Screw, Socket Head Shoulder (5/16 x 1-5/8")	1	1
20			Cable/Brake Assembly	1	1
21			Screw, Phillips Pan Head (#10-32 x 11/16")	1	2
22			Washer, Lock (3/16 x 5/16 x 1/32")	1	2
23			Housing, Ratchet	1	1
24			Bearing, Glide	1	1
25			Screw, Socket Button Head (1/4-20 x 1-1/2")	1	1
26			Locknut (1/4-20)	1	1
15		1122675	Support, Center Mount Rigging (16"-19" Seat Depths)	1	1
15		1136001	Support, Center Mount Rigging (Long) (19"-22" Seat Depths)	1	1
19	B	1121079	Cable/Brake Assembly with Ratchet Housing and Glide Bearing	1	1
20		1113622	Cable/Brake Assembly	1	1
21		40163X008	Screw, Phillips Pan Head (#10-32 x 11/16")	1	2
22		1028527	Washer, Lock (3/16 x 5/16 x 1/32")	1	2
23		1113389	Housing, Ratchet	1	1
24		1113383	Bearing, Glide	1	1

NOTE: A - Includes items 2-14, 16-18 and 20-26
B - Includes items 20-24

Power Center Mount Rigging Mounting Hardware, PCTMT/PCTMT-L Conventional and Contoura Seating



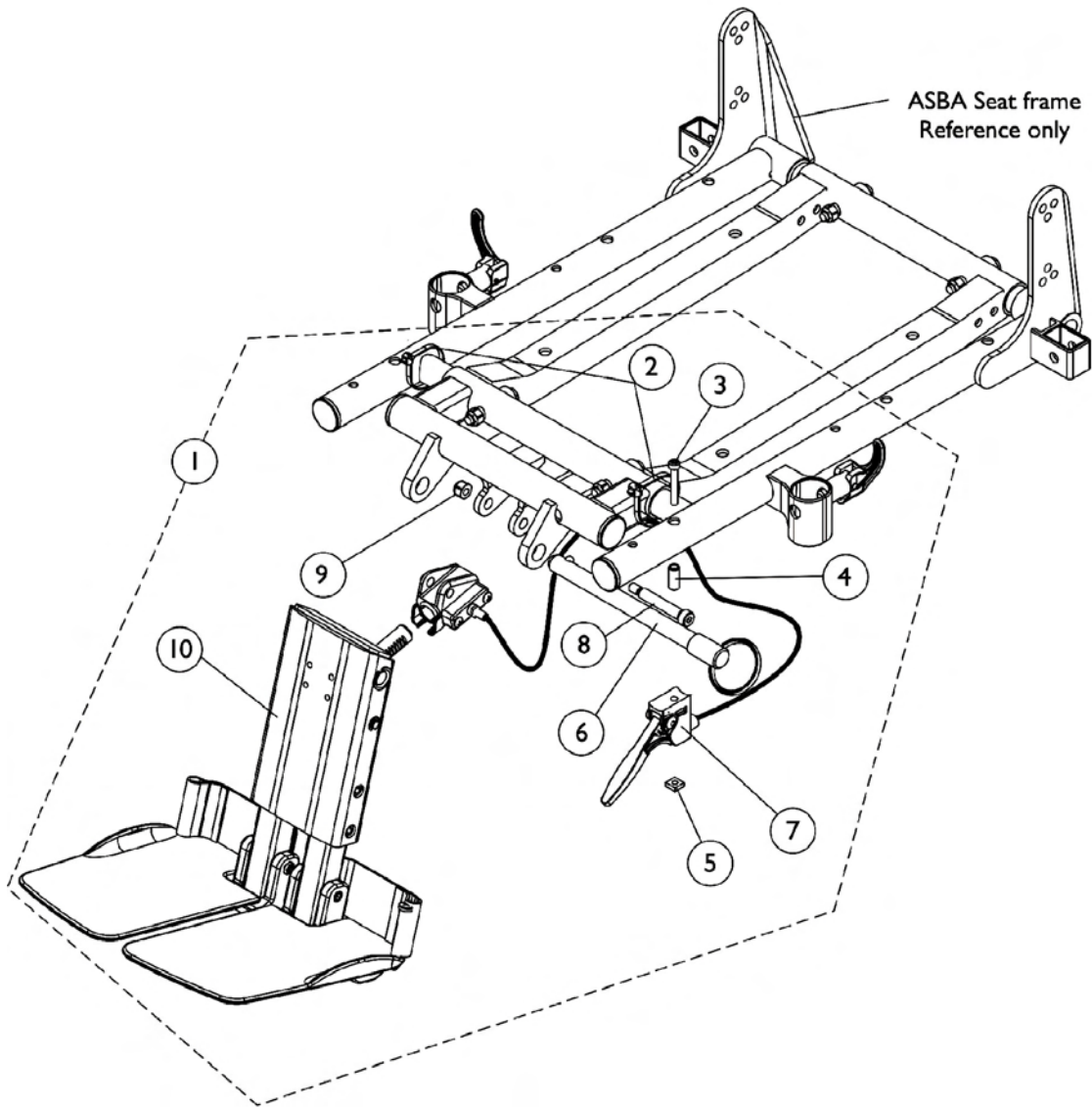
Power Center Mount Rigging Mounting Hardware, PCTMT/PCTMT-L Conventional and Contoura Seating

Item Number	Note	Part Number	Description	Quantity Per	
				Package	Assembly
1		1125783	Harness, PCTMT Actuator Extension To TREC	1	1
2	D	1125699	Motor, PCTMT Actuator	1	1
2	C,C1,D	1146352	Motor, PCTMT Actuator (MK6i)	1	1
3	A	1128351	Kit, PCTMT Actuator Motor Mounting Hardware	1	1
4			Screw, Socket Head Shoulder (3/8 x 2")	1	2
5			Locknut (5/16-18)	1	5
6			Stand-Off, Actuator Motor	1	1
7			Screw, Hex Head (5/16-18 x 5/8")	1	2
8			Bracket, PCTMT Mounting	1	1
9			Spacer	1	1
10			Link, Plate	1	1
11			Locknut (1/4-20)	1	1
12			Bushing (3/8 x 1/2 x 1-7/16")	1	1
13			Screw, Socket Head Shoulder (3/8 x 1-1/2")	1	1
14			Screw, Socket Head Shoulder (5/16 x 2-1/4")	1	1
15			Screw, Socket Head Shoulder (5/16 x 1-1/2")	1	1
16			Adjustable Clevis Rigging Assembly	1	1
17		1124706	Support, PCTMT Rigging 16"-19" Deep	1	1
17		1125675	Support, PCTMT Rigging 20"-22" Deep	1	1
18		1125629	Plate, Link 16"-19" Deep	1	1
18		1125659	Plate, Link 20"-22" Deep	1	1
19	B	1128352	Kit, PCTMT Rigging Mounting Hardware	1	1
20			Screw, Hex Head (5/16-18 x 5/8")	1	3
21			Locknut (1/4-20)	1	1
22			Pin, Quick Release (1-3/4" Long)	1	1
23			Spacer (5/16 x 7/16 x 3/8")	1	1
24			Pin, Quick Release (2-1/2" Long)	1	1
25			Tube, Drive Link	1	1
26			Pin, Quick Release (5" Long)	1	1

NOTE: A - Includes items 4-16
B - Includes items 20-26
C - For MK6i Electronics only. Includes the Actuator Motor, Bushings and the Integrated Actuator Module (IAM) attached to the motor. The IAM is not available separately. NOTE: Part # 1140035 referenced on the motor is not available, refer to part # 1146352.
C1 - The Actuator Motor does not require the Actuator Extension Harness item #1
D - Includes the Actuator Motor and Bushings. NOTE: Part # 1125698 referenced on the motor is not available, refer to part # 1125699.

Center Mount Rigging KIT CTMTJ

Elevate Only For ASBA Seating



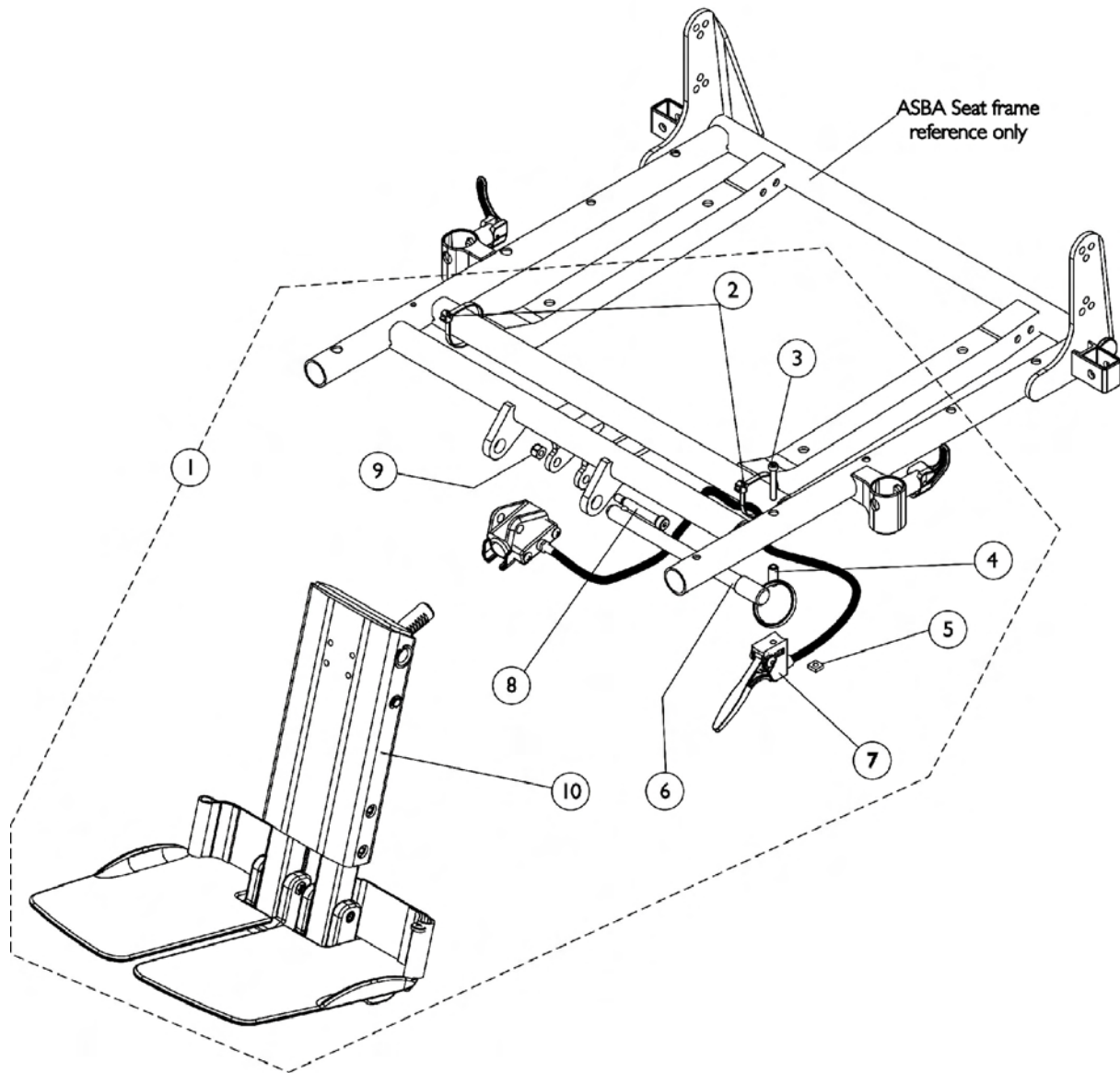
Center Mount Rigging KIT CTMTJ

Elevate Only For ASBA Seating

Item Number	Note	Part Number	Description	Quantity Per	
				Package	Assembly
1	A,B	1123022	Kit, Adjustable Length Junior Center Mount Rigging (9-1/4"-12")	1	1
2			Cable Tie (11-1/2" Long)	1	2
3			Screw, Socket Head (#10-32 x 1-1/4")	1	1
4			Spacer (5/16 x 3/16 x 3/4")	1	1
5			Nut, Square (#10-32)	1	1
6			Pin, Quick Release (5" Long)	1	1
7			Cable/Brake Assembly with Ratchet Housing and Glide Bearing	1	1
8			Screw, Socket Head Shoulder (5/16 x 1-5/8")	1	1
9			Locknut (1/4-20)	1	1
10			Center Mount Rigging Assembly, Junior (CTMTJ/CTMT-FJ) ASBA/ADJASBA (9-1/4 - 12" Range)	1	1
			Instruction Sheet, Center Mount Rigging Kit	1	1
NOTE: A - Includes items 2-10 and instruction sheet B - Instruction Sheet Not Shown					

Center Mount Rigging KIT, CTMT/CTMT-L

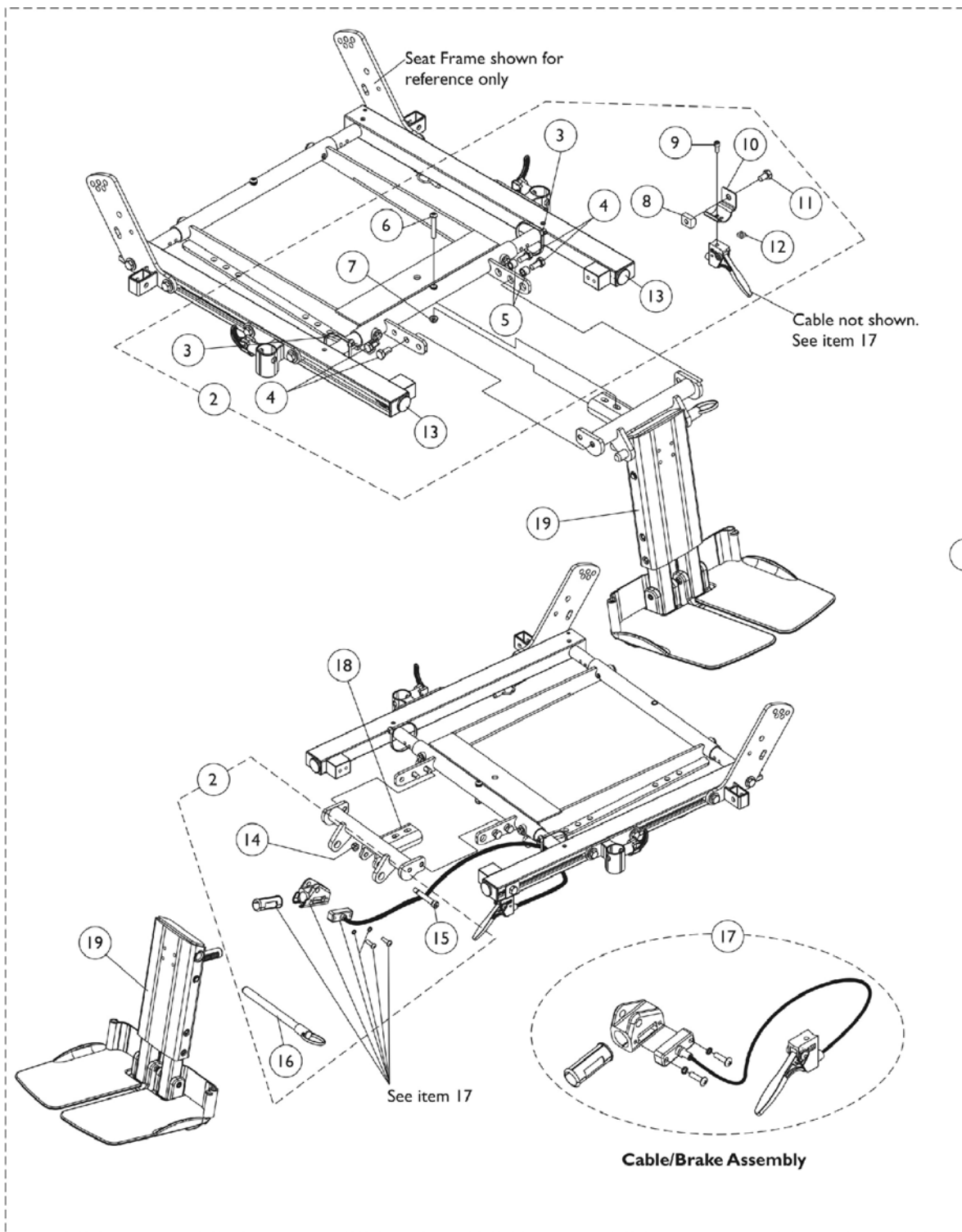
Elevate Only For ASBA Seating



Center Mount Rigging KIT, CTMT/CTMT-L Elevate Only For ASBA Seating

Item Number	Note	Part Number	Description	Quantity Per	
				Package	Assembly
1	B,C	1121009	Kit, Adjustable Length Center Mount Rigging A.S.B.A. Short (12-1/4"-15")	1	1
2			Cable Tie (11-1/2" Long)	1	2
3			Screw, Socket Head (#10-32 x 1-1/4")	1	1
4			Spacer (5/16 x 3/16 x 3/4")	1	1
5			Nut, Square (#10-32)	1	1
6			Pin, Quick Release (5" Long)	1	1
7			Cable/Brake Assembly with Ratchet Housing and Glide Bearing	1	1
8			Screw, Socket Head Shoulder (5/16 x 1-5/8")	1	1
9			Locknut (1/4-20)	1	1
10			Center Mount Rigging Assembly (CTMT) (CTMT-F), ASBA/ADJASBA (12-1/4 - 15" Range)	1	1
			Instruction Sheet, Center Mount Rigging Kit	1	1
1	A,B,C	1121010	Kit, Adjustable Length Center Mount Rigging A.S.B.A. Long (16"-18-3/4")	1	1
2			Cable Tie (11-1/2" Long)	1	2
3			Screw, Socket Head (#10-32 x 1-1/4")	1	1
4			Spacer (5/16 x 3/16 x 3/4")	1	1
5			Nut, Square (#10-32)	1	1
6			Pin, Quick Release (5" Long)	1	1
7			Cable/Brake Assembly with Ratchet Housing and Glide Bearing	1	1
8			Screw, Socket Head Shoulder (5/16 x 1-5/8")	1	1
9			Locknut (1/4-20)	1	1
10			Center Mount Rigging (CTMT-L) (CTMT-FL), ASBA/ADJASBA (16" - 18-3/4" Range)	1	1
			Instruction Sheet, Center Mount Rigging Kit	1	1
NOTE: A - Not available for low seat-to-floor models B - Includes items 2-10 and instruction sheet C - Instruction Sheet Not Shown					

Center Mount Rigging KIT, CTMT-F/CTMT-FL/CTMT-FJ (Elevate Only For ADJASBA Stg. After 7/4/05), Conventional & Contoura Seating



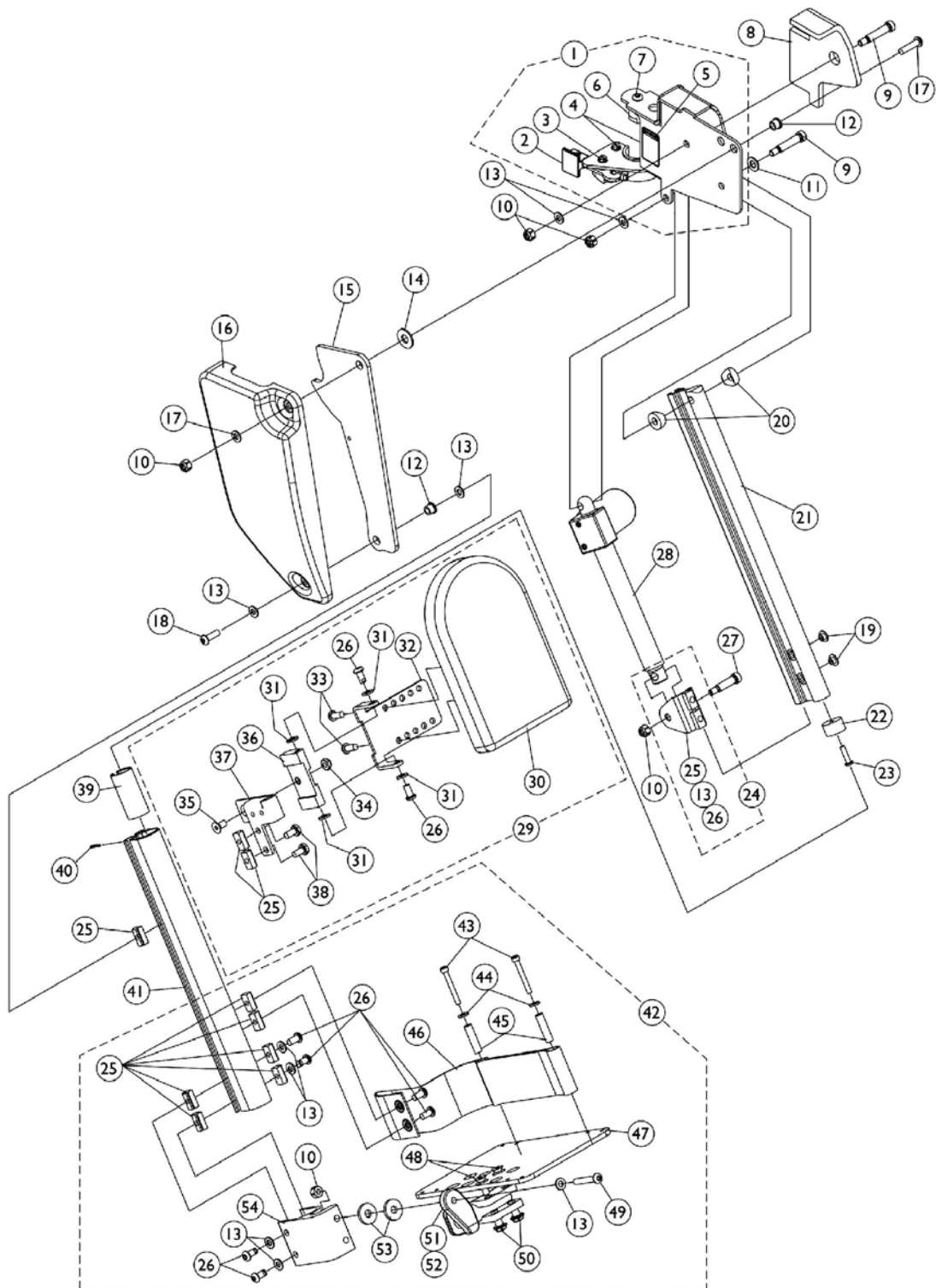
Center Mount Rigging KIT, CTMT-F/CTMT-FL/CTMT-FJ (Elevate Only For ADJASBA Stg. After 7/4/05), Conventional & Contoura Seating

Item Number	Note	Part Number	Description	Quantity Per	
				Package	Assembly
1	A	1129453	Kit, Center Mount Rigging (CTMT-F 12-1/4"-15" Range & 16"-19" Seat Depths)	1	1
1	A	1129454	Kit, Center Mount Rigging (CTMT-FL 16"-18-3/4" Range & 16"-19" Seat Depths)	1	1
1	A	1129455	Kit, Center Mount Rigging (CTMT-FJ 9-1/4"-12" Range & 16"-19" Seat Depths)	1	1
1	A	1134118	Kit, Center Mount Rigging (CTMT-F 12-1/4"-15" Range & 19"-22" Seat Depths)	1	1
1	A	1134119	Kit, Center Mount Rigging (CTMT-FL 16"-18-3/4" Range & 19"-22" Seat Depths)	1	1
1	A	1134120	Kit, Center Mount Rigging (CTMT-FJ 9-1/4"-12" Range & 19"-22" Seat Depths)	1	1
2	B	1129451	Kit, CTMT-F/CTMT-FL/CTMT-FJ Center Mount Riggings Mounting Hardware	1	1
3			Cable Tie (11-1/2" Long)	1	2
4			Screw, Hex Head (5/16-18 x 5/8")	1	4
5			Spacer (5/16 x 7/16 x 3/8")	1	2
6			Screw, Socket Button Head (1/4-20 x 1-1/2")	1	1
7			Locknut (1/4-20)	1	1
8			T-Nut (5/16-18)	1	1
9			Screw, Socket Head (#10-32 x 1/2")	1	1
10			Bracket, Release Handle Mounting	1	1
11			Screw, Hex Head Cap w/ Patch (5/16-18 x 1/2")	1	1
12			Nut, Square (#10-32)	1	1
13			Plug Button, Black (1")	1	2
14			Locknut (1/4-20)	1	1
15			Screw, Socket Head Shoulder (5/16 x 1-5/8")	1	1
16			Pin, Quick Release (5" Long)	1	1
17		1121079	Cable/Brake Assembly with Ratchet Housing and Glide Bearing	1	1
18		1122675	Support, Center Mount Rigging (16"-19" Seat Depths)	1	1
18		1136001	Support, Center Mount Rigging (Long) (19"-22" Seat Depths)	1	1
19		1117262	Center Mount Rigging Assembly (CTMT) (CTMT-F), ASBA/ADJASBA (12-1/4 - 15" Range)	1	1
19		1117263	Center Mount Rigging (CTMT-L) (CTMT-FL), ASBA/ADJASBA (16" - 18-3/4" Range)	1	1
19		1121990	Center Mount Rigging Assembly, Junior (CTMTJ/CTMT-FJ) ASBA/ADJASBA (9-1/4 - 12" Range)	1	1
	C	1129450	Instruction Sheet, Center Mount Rigging Kit For ADJASBA Seats	1	1

Center Mount Rigging KIT, CTMT-F/CTMT-FL/CTMT-FJ (Elevate Only For ADJASBA Stg. After 7/4/05), Conventional & Contoura Seating

NOTE: A - Includes items 1, 2, 17-19 and the Instruction Sheet
B - Includes items 3-16
C - Not Shown

Power Articulating Legrest ELRPW/ELRPW22



Power Articulating Legrest ELRPW/ELRPW22

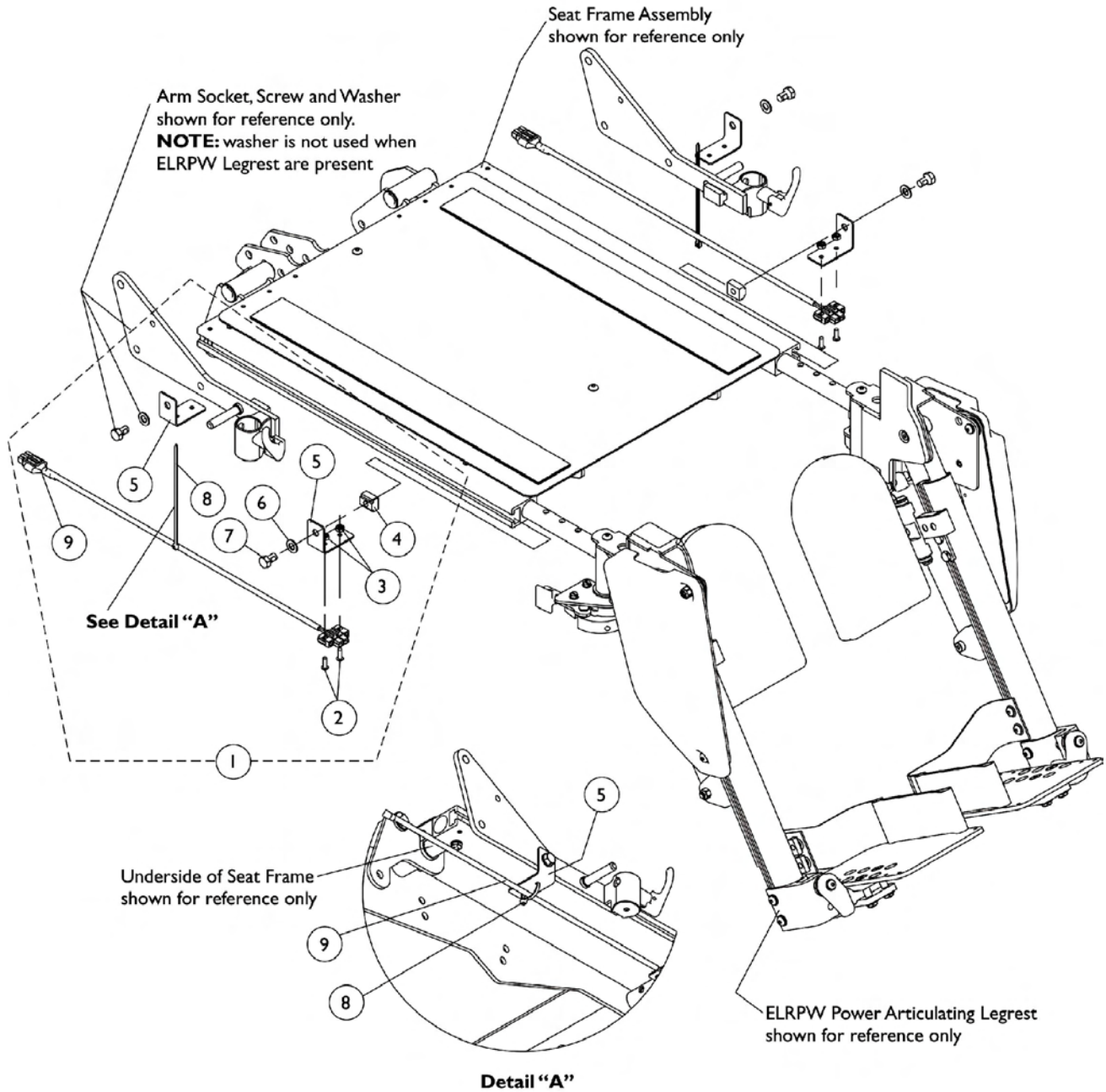
Item Number	Note	Part Number	Description	Quantity Per	
				Package	Assembly
1	A	1125436	Legrest Support Assembly, Sector, Black - Right	1	1
1	A	1125437	Legrest Support Assembly, Sector, Black - Left	1	1
2		1025454	Latch Housing - Right	1	1
2		1025455	Latch Housing - Left	1	1
3		1017423	Screw, Slotted Hex Washer Head (#10-32 x 1/2")	1	1
4		1025451	Screw, Slotted Hex Washer Head (#10-32 x 5/8")	1	2
5		1079203	Decal, Warning Pinch Point	1	1
6		1099685	Plug, Pivot	1	1
7		1091870	Screw, Socket Button Head w/ Patch (1/4-20 x 3/4")	1	1
8		1125433	Cushion Pad - Right	1	1
8		1125434	Cushion Pad - Left	1	1
9		1025351	Screw, Socket Head Shoulder (5/16 x 1-1/4")	1	2
10		1025736	Locknut (1/4-20)	1	5
11		1025704	Washer, Flat (5/16 x 5/8 x 1/16")	1	1
12		1099671	Bearing, Flange (1/4 x 5/16" Long)	1	2
13		1026907	Washer (1/4 x 1/2 x 1/16")	1	12
14		1012371	Washer, Nylon (3/8 x 7/8 x 1/16")	1	1
15		1125424	Plate, Pivot	1	1
16		1110746	Cover, Legrest Support - Right	1	1
16		1110747	Cover, Legrest Support - Left	1	1
17		1009837	Screw, Socket Button Head (1/4-20 x 1")	1	1
18		1091870	Screw, Socket Button Head w/ Patch (1/4-20 x 3/4")	1	1
19		1101883	Glide	1	2
20		0175600	Spacer, Coved (5/16 x 3/4 x 3/8")	1	2
21		1110741	Extrusion, Internal Slide (14-1/4" Long)	1	1
22		1099702	Glide, Internal	1	1
23		1018846	Screw, Socket Button Head (#10-24 x 3/4")	1	1
24	B	1110972	Actuator Bracket Assembly	1	1
25		1082699	T-Nut (1/4-20)	1	11
26		1100023	Screw, Button Head w/Patch (1/4-20 x 1/2")	1	10
27		1087417	Screw, Socket Head Shoulder (5/16 x 1")	1	1
28		1110724	Motor, Actuator - Right	1	1
28		1110725	Motor, Actuator - Left	1	1
29	C	8881110977	Calf Pad Assembly with Mounting Hardware - Right	1	1
29	C	8881111715	Calf Pad Assembly with Mounting Hardware - Left	1	1
30		88804529X003	Pad, Legrest Vinyl - Right	1	1
30		88804529X004	Pad, Legrest Vinyl - Left	1	1
	D,F	1110748	Hardware, Calf Pad Bracket	1	1
31		1026033	Washer, Nylon (1/4 x 1/2 x 1/16")	1	4
32		1099700	Bracket, Calf Pad	1	1
33		1026114	Screw, Phillips Pan Head (#10-32 x 1/2")	1	2
34		1025765	Locknut (1/4-28)	1	1
35		1074191	Screw, Socket Countersunk Head (1/4-28 x 1/2")	1	1

Power Articulating Legrest ELRPW/ELRPW22

Item Number	Note	Part Number	Description	Quantity Per	
				Package	Assembly
36		1099690	Block, Calf Pad	1	1
37		1111716	Bracket, Calf Pad Mounting - Right	1	1
37		1111717	Bracket, Calf Pad Mounting - Left	1	1
38		1078214	Screw, Hex Head Cap w/ Patch (1/4-20 x 1/2")	1	2
39		1110742	Bushing, Sleeve	1	1
40		1079151	Pin, Roll (5/64 x 5/8")	1	1
41		1121026	Extrusion, External (12-1/2" Long) (ELRPW22 Before 7/22/04) and (ELRPW20 After 7/21/04)	1	1
41		1125435	Extrusion, External (14-1/2" Long) ELRPW22	1	1
42	E	1101114	Footplate Assembly - Right	1	1
42	E	1101115	Footplate Assembly - Left	1	1
43		1023965	Screw, Socket Head Cap (#10-32 x 1-1/2")	1	2
44		1028516	Washer (3/16 x 7/16 x 1/16")	1	2
45		1015629	Bushing	1	2
46		1101268	Heel Loop Assembly - Right	1	1
46		1101269	Heel Loop Assembly - Left	1	1
47		1060427	Footplate, Adjustable Angle - Large (5-1/4" W x 8" L)	1	1
48		1029545	Screw, Socket Head Cap (1/4-20 x 3/4")	1	2
49		1008495	Screw, Socket Button Head (1/4-20 x 1-1/2")	1	1
50		1082686	Nut, Hex Head (1/4-20 x 11/16")	1	2
51		1052102	Hinge, Footplate - Right	1	1
51		1052103	Hinge, Footplate - Left	1	1
52		1048816	Screw, Nylon Adjustment (1/2-13 x 7/8")	1	1
53		1016301	Washer, Nylon (5/16 x 7/8 x 1/8")	1	2
54		1099678	Extrusion, Footplate Adapter	1	1
55		1126091	Legrest, Power Articulating (13"-20" Range) - Right ELRPW	1	1
55		1126092	Legrest, Power Articulating (13"-20" Range) - Left ELRPW	1	1
55		1126093	Legrest, Power Articulating (15"-22" Range) - Right ELRPW22	1	1
55		1126094	Legrest, Power Articulating (15"-22" Range) - Left ELRPW22	1	1

NOTE: A - Includes items 2-7
 B - Includes items 13, 25 and 26
 C - Includes Items 25, 26 and 30-38
 D - Includes Items 25, 26, 31-36, 38
 E - Includes Items 10, 13, 25, 26 and 43-54
 F - Not Shown

Power Articulating Legrest ELRPW/ELRPW22 Harnesses and Hardware



Power Articulating Legrest ELRPW/ELRPW22 Harnesses and Hardware

Item Number	Note	Part Number	Description	Quantity Per	
				Package	Assembly
1	A,B	1125679	Kit, ELRPW Power Articulating Legrest Harnesses and Mounting Hardware	2	1
2			Screw, Socket Head Cap (#8-32 x 5/8")	1	4
3			Locknut (#8-32)	1	4
4			T-Nut (5/16-18)	1	2
5			Bracket, Wire Harness	1	4
6			Washer, Flat (5/16 x 5/8 x 1/16")	1	2
7			Screw, Hex Head Cap w/ Patch (5/16-18 x 1/2")	1	2
8			Cable Tie (5-5/8" Long)	1	2
9			Harness, ELRPW Power Legrest - Right	1	1
9			Harness, ELRPW Power Legrest - Left	1	1

NOTE: A - Includes items 2-9
 B - On 2/28/07 the Dual Leg Actuator Module (DLIAM) harness cable that plugs into item #9 ELRPW Power Legrest Harness Assembly was lengthened from approximately 3" to 20" long to eliminate the need for the ELRPW Power Legrest Harness Assemblies

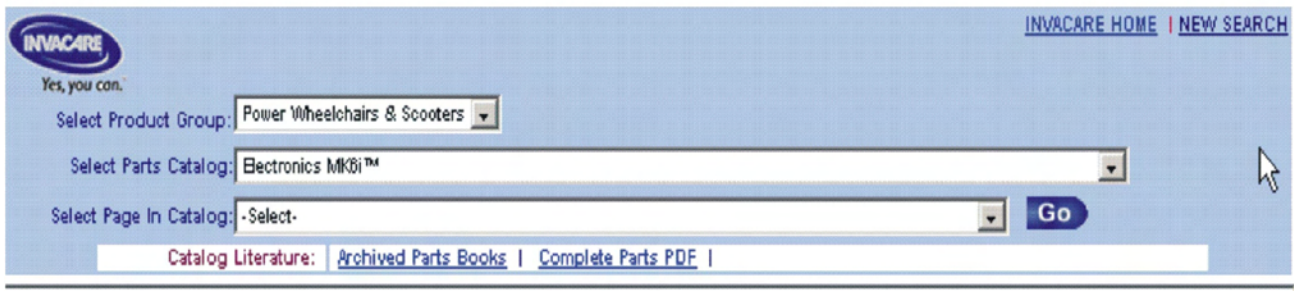
MK6i Electronics

If you are looking for **MK6i™ Electronics** introduced to the Formula TRE Powered Seating System for TDX Powered Wheelchairs on or about 10/9/06

The parts catalog information is now divided into three separate catalogs.

Web Page

The MK6i™ Electronics information can be found on the Invacare web page by selecting “Electronics MK6i™” in the “Select Parts Catalog” drop down menu.



INVACARE
Yes, you can.
INVACARE HOME | NEW SEARCH

Select Product Group: Power Wheelchairs & Scooters

Select Parts Catalog: Electronics MK6i™

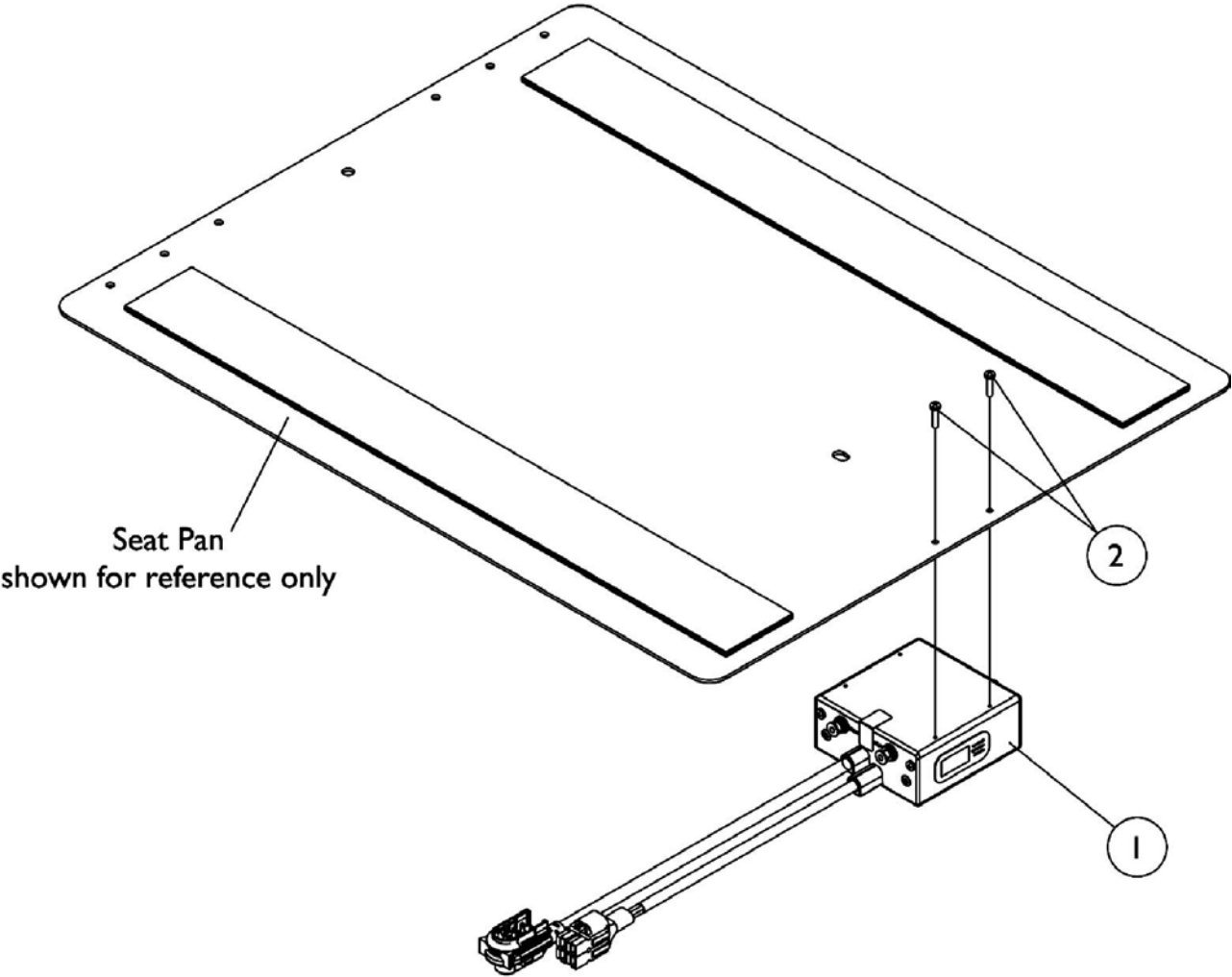
Select Page In Catalog: -Select- Go

Catalog Literature: [Archived Parts Books](#) | [Complete Parts PDF](#) |

Printed Catalog

The MK6i™ Electronics information can be found in printed copy at our Literature Fulfillment Center listed under form # 06-110 and titled “MK6i™ Electronics”.

Dual Legs Integrated Actuator Module (DLIAM) MK6i For ELRPW Front Riggings

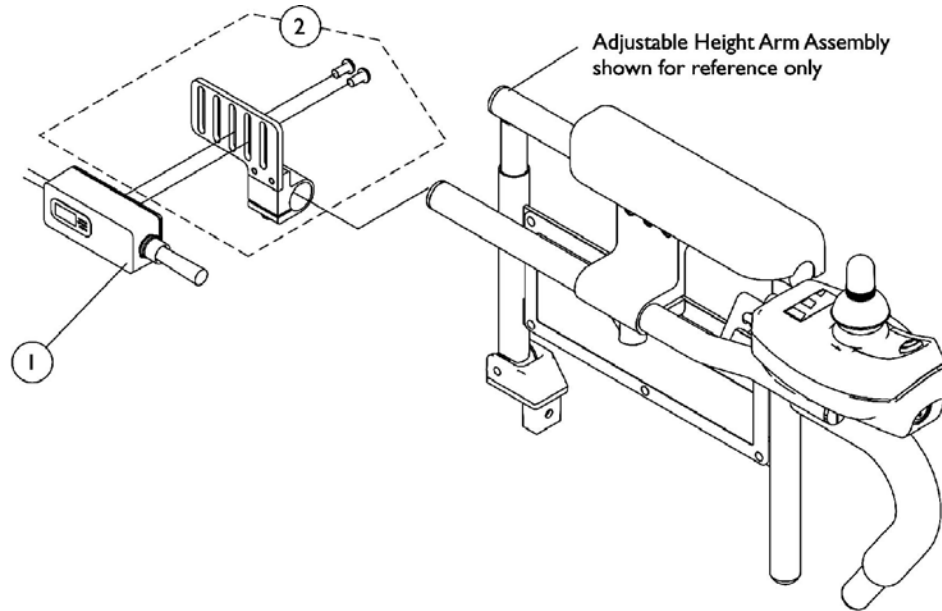


Dual Legs Integrated Actuator Module (DLIAM) MK6i For ELRPW Front Riggings

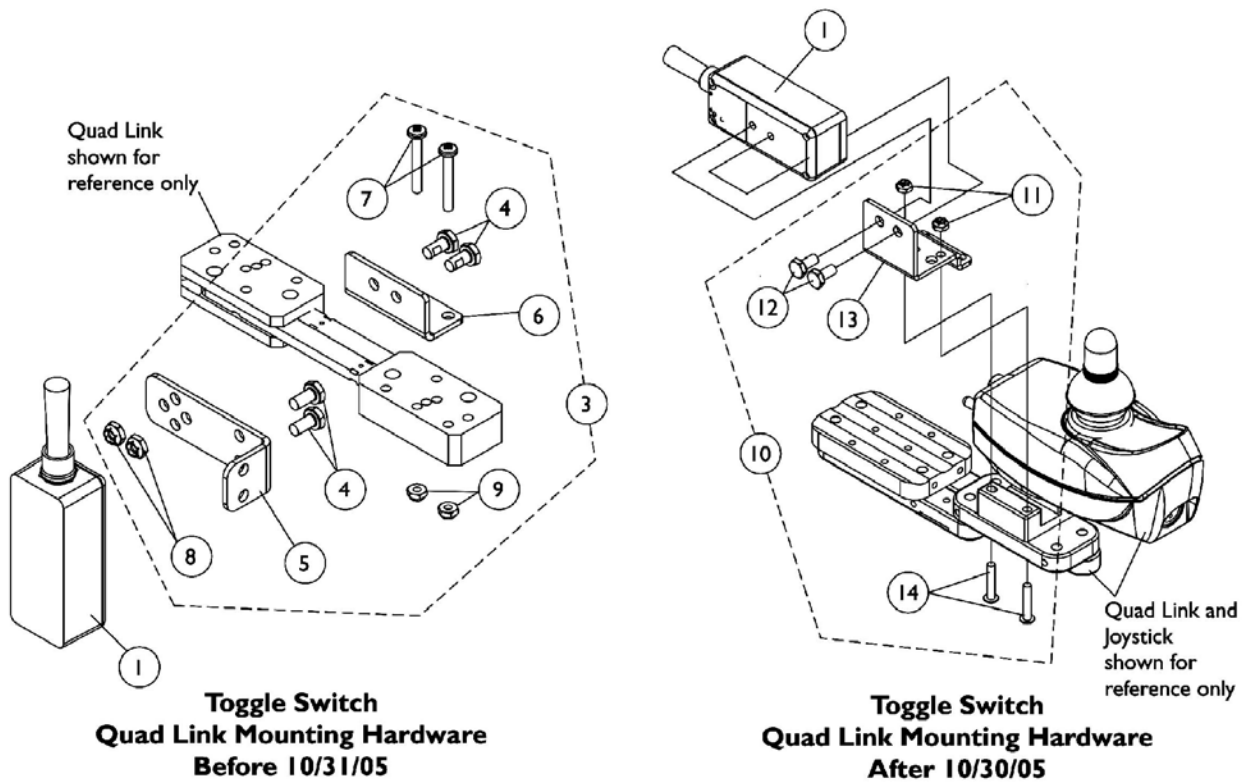
Item Number	Note	Part Number	Description	Quantity Per	
				Package	Assembly
1	A	1140032	Module, Dual Legs Integrated Actuator (DLIAM) MK6i	1	1
2		1021742	Screw, Phillips Pan Head (#4-40 x 1/2")	1	2
NOTE: A - On 2/28/07 the Dual Leg Actuator Module (DLIAM) harness cable lengthened from approximately 3" to 20" long to eliminate the need for the ELRPW Power Legrest Harness Assembly part numbers 1125656 RT and 1125657 LT					

ESC Elevating Seat Control Toggle Switch and Mounting Hardware

Elevate Only For ASBA/ADJASBA Seating



**Toggle Switch
Joystick Tube Mounting Hardware**



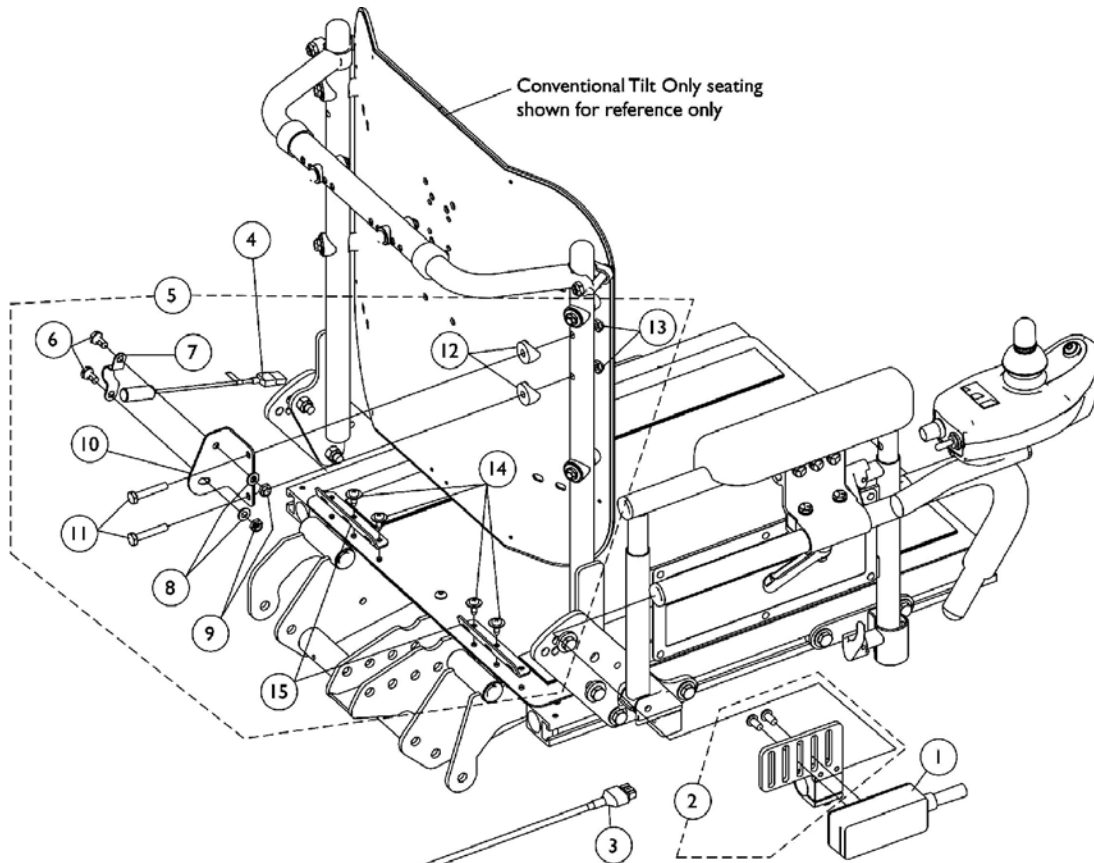
ESC Elevating Seat Control Toggle Switch and Mounting Hardware

Elevate Only For ASBA/ADJASBA Seating

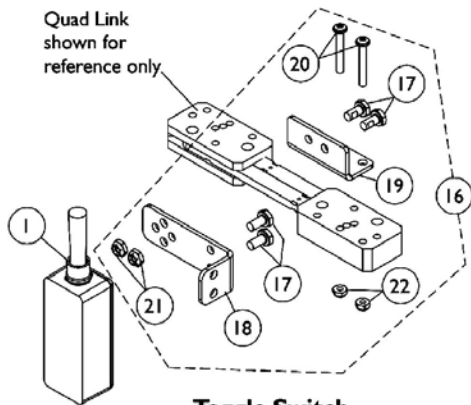
Item Number	Note	Part Number	Description	Quantity Per	
				Package	Assembly
1	B	1126185	Switch, ESC Elevating Seat Control Toggle For Formula ASBA/ADJASBA Seat	1	1
2	A	1125722	Toggle Switch Mounting Bracket Assembly	1	1
3	C	1091497	Kit, Quad Link Toggle Switch Mounting Hardware	1	1
4			Screw, Hex Head Cap w/ Patch (1/4-20 x 1/2")	1	4
5			Bracket, Toggle Switch Mounting	1	1
6			Bracket, Quad Link Toggle Switch Mounting	1	1
7			Screw, Phillips Pan Head (#10-32 x 1-3/8")	1	2
8			Locknut (1/4-20)	1	2
9			Locknut (#10-32)	1	2
10	D	1139684	Kit, Quad Link Toggle Switch Mounting Hardware	1	1
11			Locknut (#10-32)	1	2
12			Screw, Hex Head Cap w/ Patch (1/4-20 x 1/2")	1	2
13			Bracket, Toggle Switch Mounting	1	1
14			Screw, Phillips Pan Head w/Patch (#10-32 x 7/8")	1	2
<p>NOTE: A - Includes Bracket, Half Clamps and Screws. Individual components are not sold separately B - ESC toggle switch connects directly into the Proximity Switch Sensor located on the "Battery Wire Harnesses, Sensor Proximity Switch, Extension Cables and Energy Chain" page C - Before 10/31/05 and includes items 4-9 D - After 10/30/05 and includes items 11-14</p>					

TRSS Toggle and Mounting Hardware

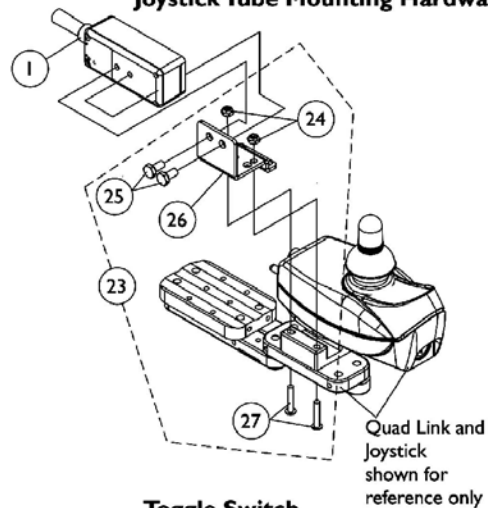
Conventional Tilt and Tilt w/ BPO Option Before 1/17/05



**Toggle Switch
Joystick Tube Mounting Hardware**



**Toggle Switch
Quad Link Mounting Hardware
Before 10/31/05**



**Toggle Switch
Quad Link Mounting Hardware
After 10/30/05**

TRSS Toggle and Mounting Hardware

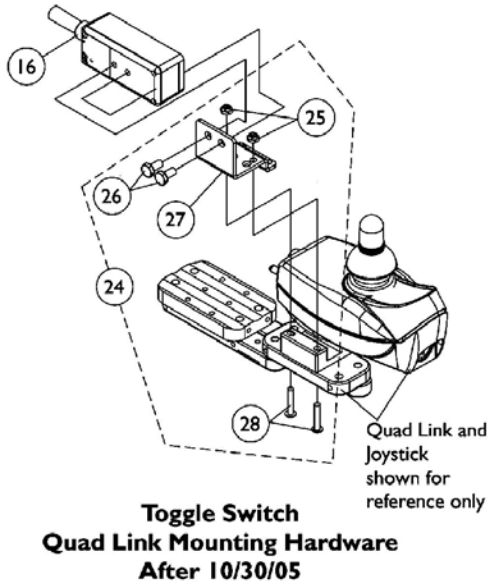
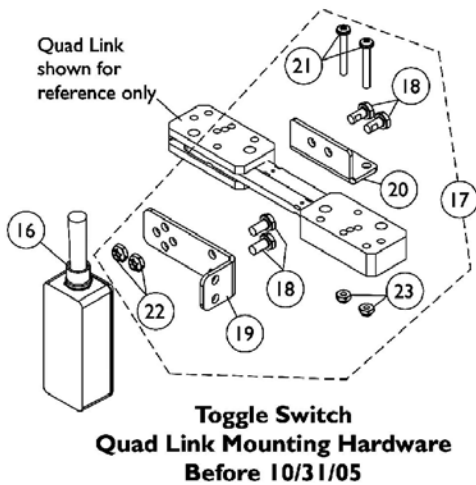
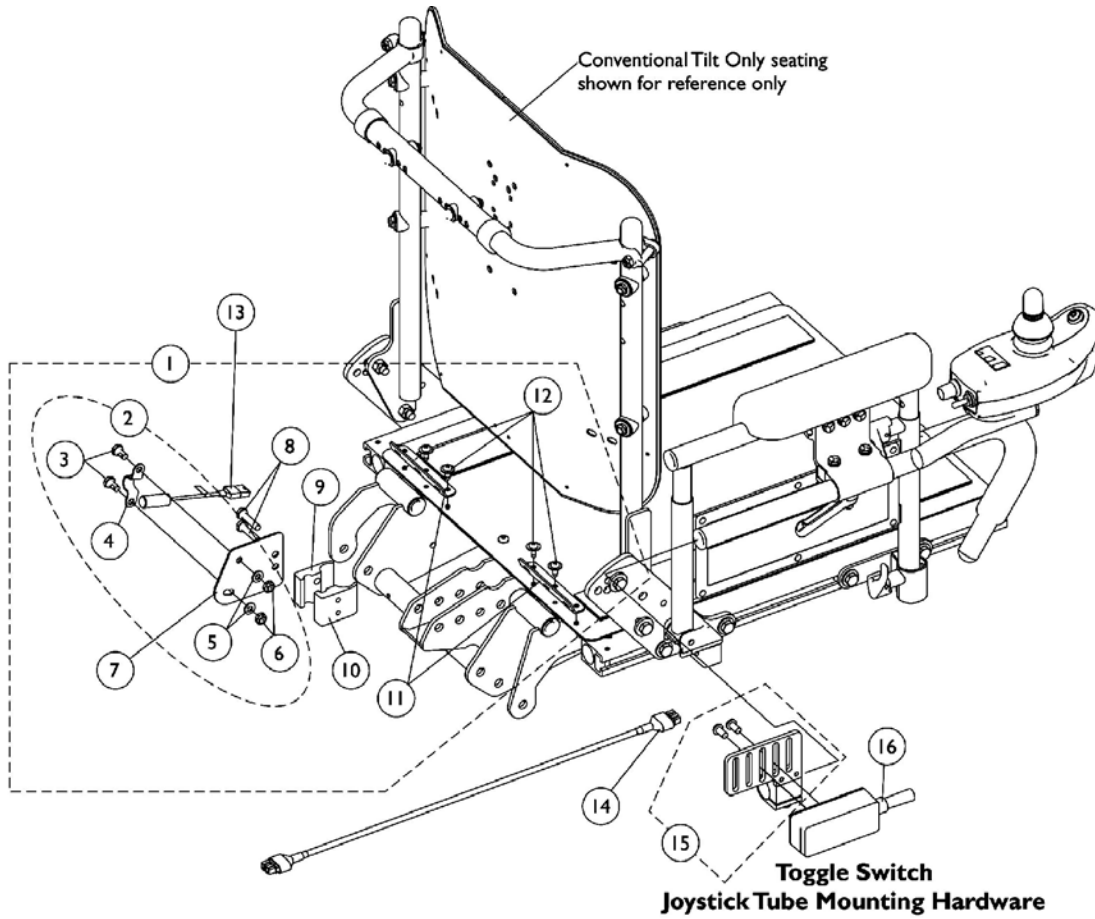
Conventional Tilt and Tilt w/ BPO Option Before 1/17/05

Item Number	Note	Part Number	Description	Quantity Per	
				Package	Assembly
1		1089384	Switch, Toggle Tilt Recline Single (TRSS)	1	1
2	A	1125722	Toggle Switch Mounting Bracket Assembly	1	1
3		1126179	Harness, Actuator Extension To SAC or TRSS	1	1
4		1080635	Harness, Recline/Tilt Mercury Switch	1	1
5	B	1128350	Kit, Mercury Switch Brackets with Hardware For Conventional Tilt Only with TRSS	1	1
6			Screw, Hex Head Cap w/ Patch (1/4-20 x 1/2")	1	2
7			Bracket, Mercury Switch	1	1
8			Washer (1/4 x 1/2 x 1/16")	1	2
9			Locknut (1/4-20)	1	2
10			Bracket, Drive Lockout	1	1
11			Screw, Hex Head (1/4-20 x 1-3/8")	1	2
12			Spacer, Coved (1/4 x 7/8 x 7/16")	1	2
13			Locknut (1/4-20)	1	2
14			Screw, Phillips Pan Head Tap (#10-32 x 1/2")	1	4
15			Bracket, Seat Pan Wiring	1	2
16	C	1091497	Kit, Quad Link Toggle Switch Mounting Hardware	1	1
17			Screw, Hex Head Cap w/ Patch (1/4-20 x 1/2")	1	4
18			Bracket, Toggle Switch Mounting	1	1
19			Bracket, Quad Link Toggle Switch Mounting	1	1
20			Screw, Phillips Pan Head (#10-32 x 1-3/8")	1	2
21			Locknut (1/4-20)	1	2
22			Locknut (#10-32)	1	2
23	D	1139684	Kit, Quad Link Toggle Switch Mounting Hardware	1	1
24			Locknut (#10-32)	1	2
25			Screw, Hex Head Cap w/ Patch (1/4-20 x 1/2")	1	2
26			Bracket, Toggle Switch Mounting	1	1
27			Screw, Phillips Pan Head w/Patch (#10-32 x 7/8")	1	2
NOTE: A - Includes Bracket, Half Clamps and Screws. Individual components are not sold separately B - Includes items 6-15 C - Before 10/31/05 and includes items 17-22 D - After 10/30/05 and includes items 24-27					

TRSS Toggle and Mounting Hardware

Conventional Tilt & Tilt w/ BPO Option After 1/16/05

Mounting hardware after 1/16/05 will now accommodate the Personal Back 10 and DualFlex Backs from Invacare.



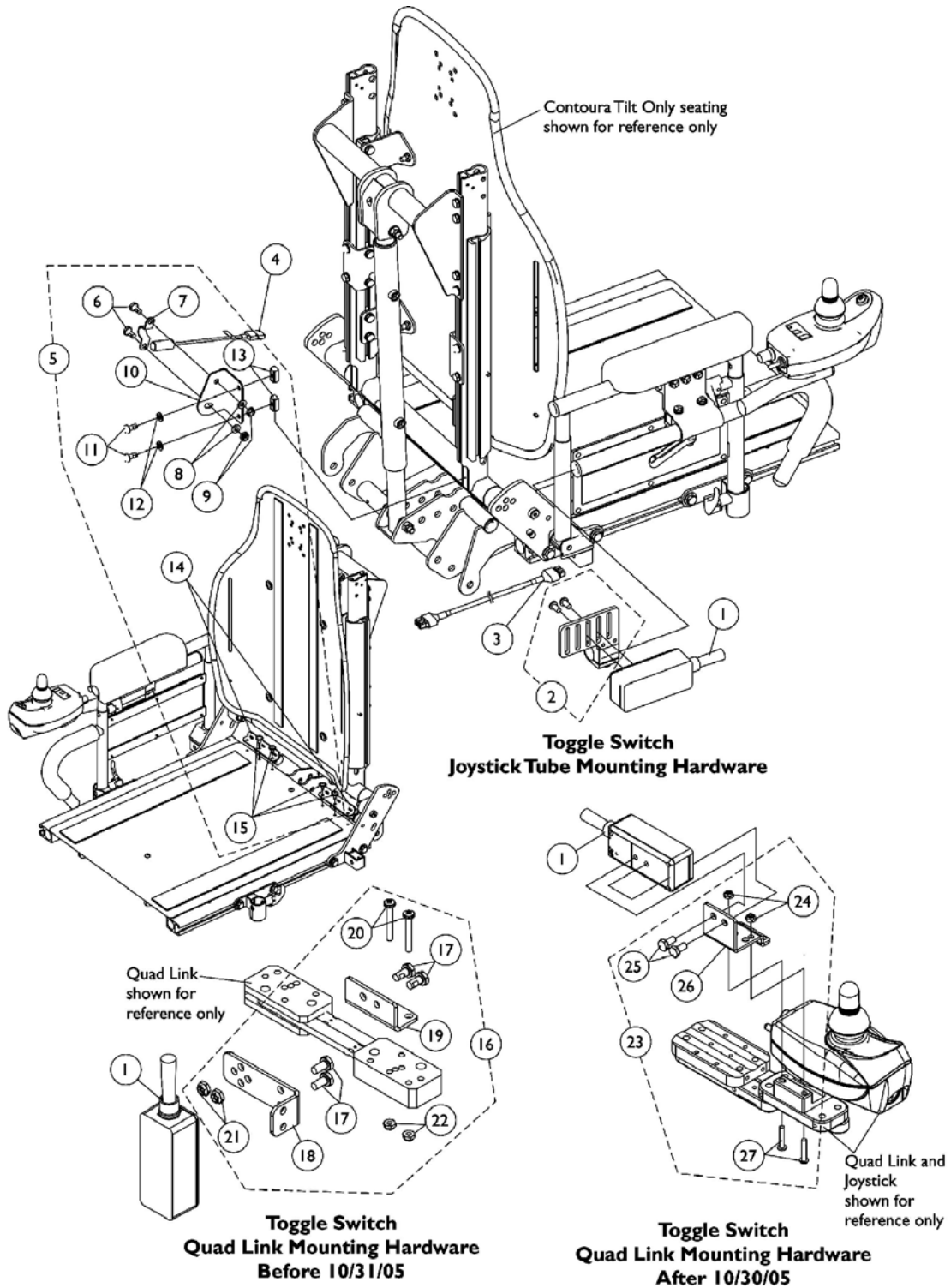
TRSS Toggle and Mounting Hardware

Conventional Tilt & Tilt w/ BPO Option After 1/16/05

Mounting hardware after 1/16/05 will now accommodate the Personal Back 10 and DualFlex Backs from Invacare.

Item Number	Note	Part Number	Description	Quantity Per	
				Package	Assembly
1	A	1128357	Kit, Mercury Switch Brackets with Hardware For Conventional Tilt Only with TRSS	1	1
3			Screw, Hex Head Cap w/ Patch (1/4-20 x 1/2")	1	2
4			Bracket, Mercury Switch	1	1
5			Washer (1/4 x 1/2 x 1/16")	1	2
6			Locknut (1/4-20)	1	2
7			Bracket, Drive Lockout	1	1
8			Screw, Hex Head (1/4-20 x 1-1/8")	1	2
9			Half Clamp, Non-Threaded Holes	1	1
10			Half Clamp, Threaded Holes	1	1
11			Bracket, Seat Pan Wiring	1	2
12			Screw, Phillips Pan Head Tap (#10-32 x 1/2")	1	4
13		1080635	Harness, Recline/Tilt Mercury Switch	1	1
14		1126179	Harness, Actuator Extension To SAC or TRSS	1	1
15	C	1125722	Toggle Switch Mounting Bracket Assembly	1	1
16		1089384	Switch, Toggle Tilt Recline Single (TRSS)	1	1
2	B	1125770	Kit, Mercury Switch Mounting Hardware	1	1
3			Screw, Hex Head Cap w/ Patch (1/4-20 x 1/2")	1	2
4			Bracket, Mercury Switch	1	1
5			Washer (1/4 x 1/2 x 1/16")	1	2
6			Locknut (1/4-20)	1	2
17	D	1091497	Kit, Quad Link Toggle Switch Mounting Hardware	1	1
18			Screw, Hex Head Cap w/ Patch (1/4-20 x 1/2")	1	4
19			Bracket, Toggle Switch Mounting	1	1
20			Bracket, Quad Link Toggle Switch Mounting	1	1
21			Screw, Phillips Pan Head (#10-32 x 1-3/8")	1	2
22			Locknut (1/4-20)	1	2
23			Locknut (#10-32)	1	2
24	E	1139684	Kit, Quad Link Toggle Switch Mounting Hardware	1	1
25			Locknut (#10-32)	1	2
26			Screw, Hex Head Cap w/ Patch (1/4-20 x 1/2")	1	2
27			Bracket, Toggle Switch Mounting	1	1
28			Screw, Phillips Pan Head w/Patch (#10-32 x 7/8")	1	2
NOTE: A - Includes items 3-12 B - Includes items 3-6 C - Includes Bracket, Half Clamps and Screws. Individual components are not sold separately D - Before 10/31/05 and includes items 18-23 E - After 10/30/05 and includes items 25-28					

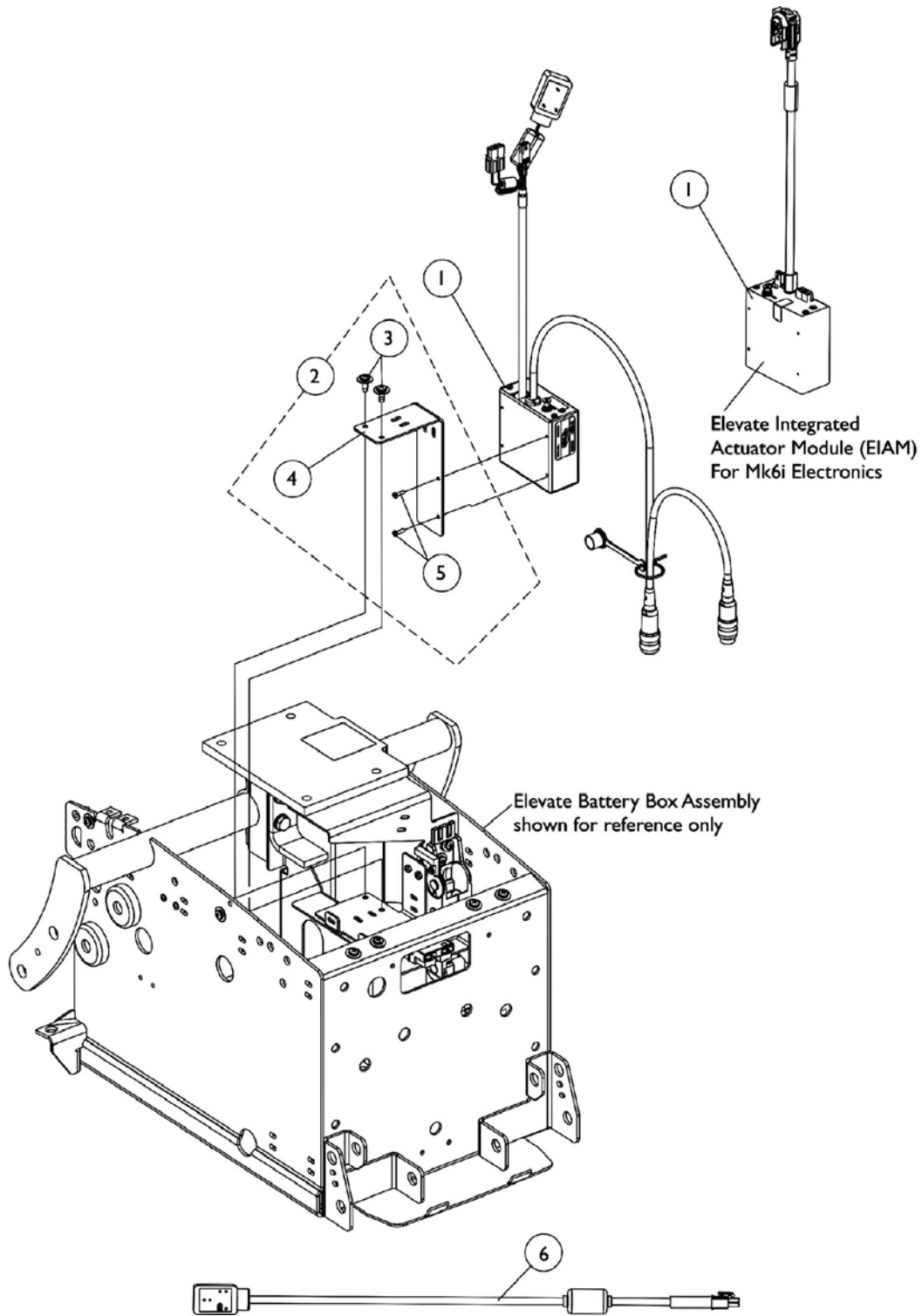
TRSS Toggle and Mounting Hardware Contoura Tilt



TRSS Toggle and Mounting Hardware Contoura Tilt

Item Number	Note	Part Number	Description	Quantity Per	
				Package	Assembly
1		1089384	Switch, Toggle Tilt Recline Single (TRSS)	1	1
2	A	1125722	Toggle Switch Mounting Bracket Assembly	1	1
3		1126179	Harness, Actuator Extension To SAC or TRSS	1	1
4		1080635	Harness, Recline/Tilt Mercury Switch	1	1
5	B	1128349	Kit, Mercury Switch Brackets with Hardware For Contoura Tilt Only with TRSS	1	1
6			Screw, Hex Head Cap w/ Patch (1/4-20 x 1/2")	1	2
7			Bracket, Mercury Switch	1	1
8			Washer (1/4 x 1/2 x 1/16")	1	2
9			Locknut (1/4-20)	1	2
10			Bracket, Drive Lockout	1	1
11			Screw, Hex Head Cap w/ Patch (1/4-20 x 1/2")	1	2
12			Washer (1/4 x 1/2 x 1/16")	1	2
13			T-Nut (1/4-20)	1	2
14			Bracket, Seat Pan Wiring	1	2
15			Screw, Phillips Pan Head Tap (#10-32 x 1/2")	1	4
16	C	1091497	Kit, Quad Link Toggle Switch Mounting Hardware	1	1
17			Screw, Hex Head Cap w/ Patch (1/4-20 x 1/2")	1	4
18			Bracket, Toggle Switch Mounting	1	1
19			Bracket, Quad Link Toggle Switch Mounting	1	1
20			Screw, Phillips Pan Head (#10-32 x 1-3/8")	1	2
21			Locknut (1/4-20)	1	2
22			Locknut (#10-32)	1	2
23	D	1139684	Kit, Quad Link Toggle Switch Mounting Hardware	1	1
24			Locknut (#10-32)	1	2
25			Screw, Hex Head Cap w/ Patch (1/4-20 x 1/2")	1	2
26			Bracket, Toggle Switch Mounting	1	1
27			Screw, Phillips Pan Head w/Patch (#10-32 x 7/8")	1	2
NOTE: A - Includes Bracket, Half Clamps and Screws. Individual components are not sold separately B - Includes items 6-15 C - Before 10/31/05 and includes items 17-22 D - After 10/30/05 and includes items 24-27					

MK5 SAC-E and (MK6i) Elevate Integrated Actuator Module (EIAM)

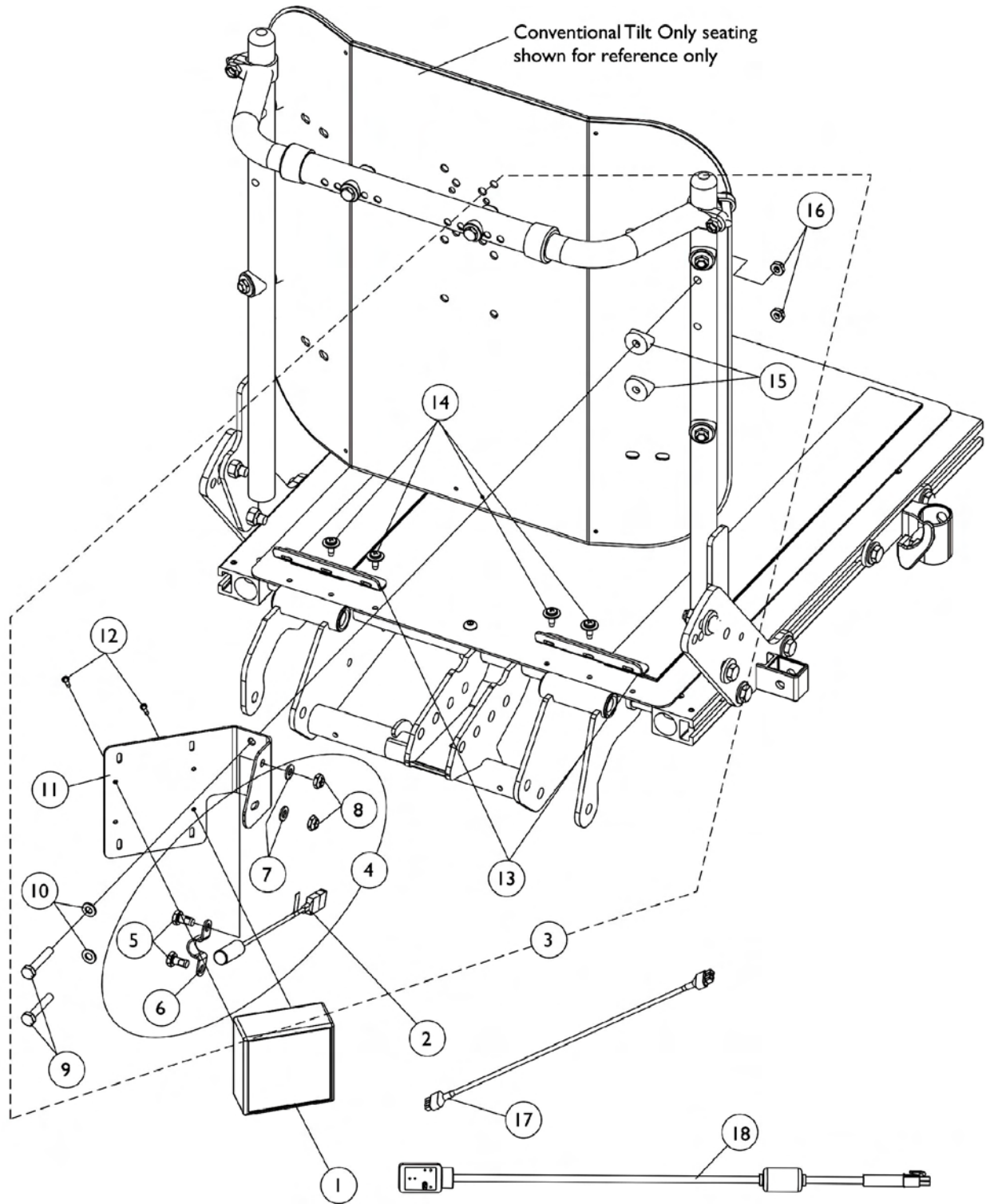


MK5 SAC-E and (MK6i) Elevate Integrated Actuator Module (EIAM)

Item Number	Note	Part Number	Description	Quantity Per	
				Package	Assembly
1		1126033	Control, MK5 SAC-E	1	1
1		1140036	Module, Elevate Integrated Actuator (EIAM) MK6i	1	1
2	A	1125685	Kit, MK5 SAC-E/ MK6i EIAM Mounting Hardware	1	1
3			Screw, Phillips Pan Head Tap (#10-32 x 1/2")	1	2
4			Bracket, MK5 SAC-E/ EIAM MK6i Mounting	1	1
5			Stud Plate, Quad Link	1	2
6	B	1119418	Cable, Auxiliary Power	1	1
NOTE: A - Includes items 3-5					
B - Auxiliary Power cable not used with MK6i electronics					

MK5 SAC and Mounting Hardware

Conventional Tilt and Tilt w/ BPO Option Before 1/17/05



MK5 SAC and Mounting Hardware

Conventional Tilt and Tilt w/ BPO Option Before 1/17/05

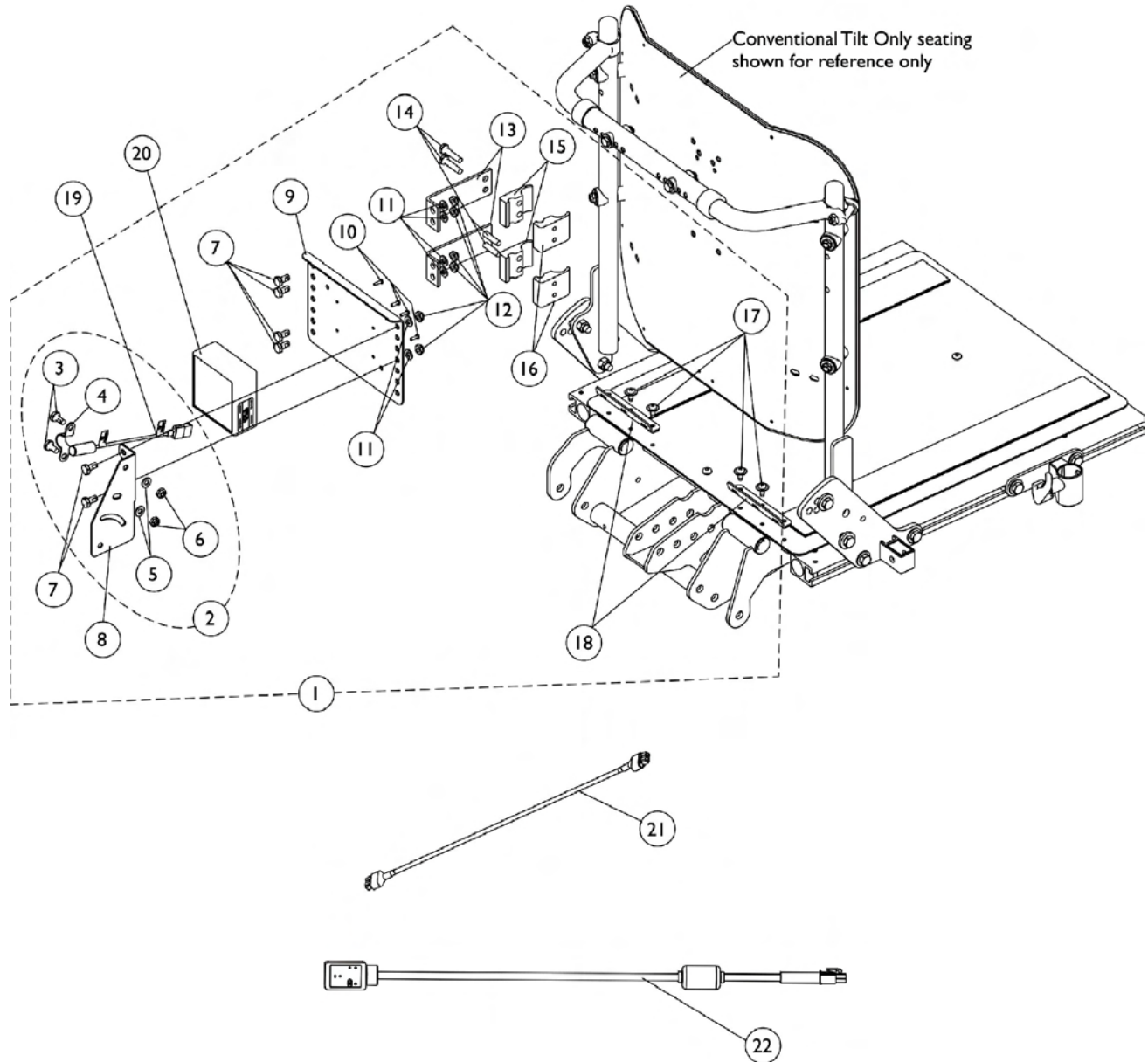
Item Number	Note	Part Number	Description	Quantity Per	
				Package	Assembly
1	C	1119458-NLA	Control, MK5 SAC	1	1
2		1080635	Harness, Recline/Tilt Mercury Switch	1	1
3	A	1125772	Kit, SAC/Mercury Switch Mounting Hardware For Conventional Tilt Only	1	1
5			Screw, Hex Head Cap w/ Patch (1/4-20 x 1/2")	1	2
6			Bracket, Mercury Switch	1	1
7			Washer (1/4 x 1/2 x 1/16")	1	2
8			Locknut (1/4-20)	1	2
9			Screw, Hex Head (1/4-20 x 1-3/8")	1	2
10			Washer (1/4 x 1/2 x 1/16")	1	2
11			Bracket, MK5 SAC Mounting	1	1
12			Screw, Phillips Pan Head (#4-40 x 3/8")	1	2
13			Bracket, Seat Pan Wiring	1	2
14			Screw, Phillips Pan Head Tap (#10-32 x 1/2")	1	4
15			Spacer, Coved (1/4 x 7/8 x 7/16")	1	2
16			Locknut (1/4-20)	1	2
4	B	1125770	Kit, Mercury Switch Mounting Hardware	1	1
5			Screw, Hex Head Cap w/ Patch (1/4-20 x 1/2")	1	2
6			Bracket, Mercury Switch	1	1
7			Washer (1/4 x 1/2 x 1/16")	1	2
8			Locknut (1/4-20)	1	2
17		1126179	Harness, Actuator Extension To SAC or TRSS	1	1
18		1119418	Cable, Auxiliary Power	1	1

NOTE: A - Includes items 5-16
B - Includes items 5-8
C - MK5 SAC was discontinued and replaced with a MK5 TAC. See page titled "MK5 TAC and Mounting Hardware" dated 01/06/06-01/25/06

MK5 SAC and Mounting Hardware

Conventional Tilt & Tilt w/ BPO Option 1/17/05-4/14/05

Mounting hardware after 1/16/05 will now accommodate the Personal Back 10 and DualFlex Backs from Invacare.



MK5 SAC and Mounting Hardware

Conventional Tilt & Tilt w/ BPO Option 1/17/05-4/14/05

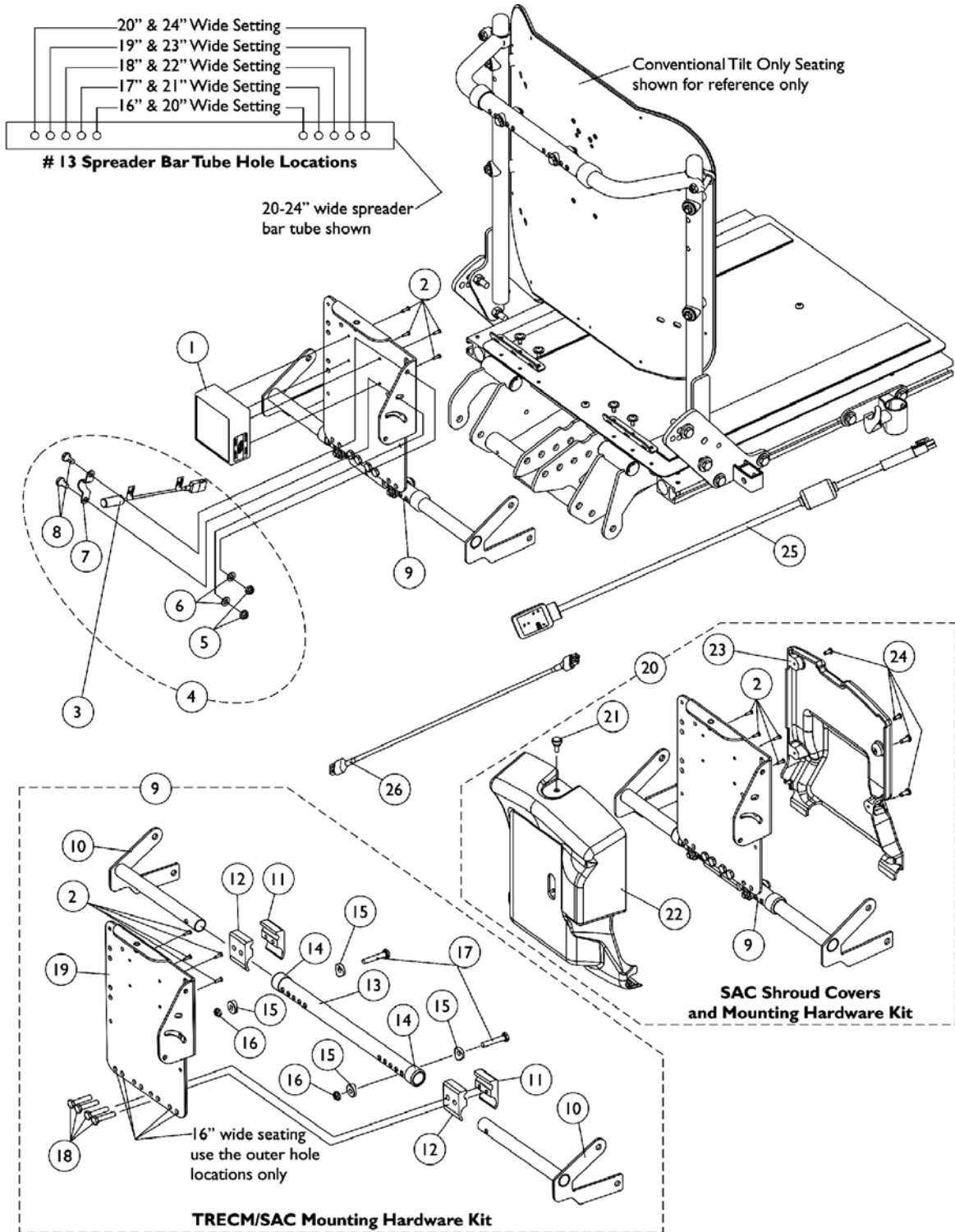
Mounting hardware after 1/16/05 will now accommodate the Personal Back 10 and DualFlex Backs from Invacare.

Item Number	Note	Part Number	Description	Quantity Per	
				Package	Assembly
1	A	1128358	Kit, SAC/Mercury Switch Mounting Hardware For Conventional Tilt Only	1	1
3			Screw, Hex Head Cap w/ Patch (1/4-20 x 1/2")	1	2
4			Bracket, Mercury Switch	1	1
5			Washer (1/4 x 1/2 x 1/16")	1	2
6			Locknut (1/4-20)	1	2
7			Screw, Hex Head Cap w/ Patch (1/4-20 x 1/2")	1	6
8			Bracket, Mercury Switch Mounting	1	1
9			Bracket, Controller	1	1
10			Screw, Phillips Pan Head (#4-40 x 3/8")	1	4
11			Washer (1/4 x 1/2 x 1/16")	1	6
12			Locknut (1/4-20)	1	6
13			Bracket, Standoff	1	2
14			Screw, Hex Head (1/4-20 x 1-1/8")	1	4
15			Half Clamp, Non-Threaded Holes	1	2
16			Half Clamp, Threaded Holes	1	2
17			Screw, Phillips Pan Head Tap (#10-32 x 1/2")	1	4
18			Bracket, Seat Pan Wiring	1	2
19		1123268	Harness, Tilt Mercury Switch	1	1
20	C	1119458-NLA	Control, MK5 SAC	1	1
21		1126179	Harness, Actuator Extension To SAC or TRSS	1	1
22		1119418	Cable, Auxiliary Power	1	1
2	B	1125770	Kit, Mercury Switch Mounting Hardware	1	1
3			Screw, Hex Head Cap w/ Patch (1/4-20 x 1/2")	1	2
4			Bracket, Mercury Switch	1	1
5			Washer (1/4 x 1/2 x 1/16")	1	2
6			Locknut (1/4-20)	1	2

NOTE: A - Includes items 3-18
 B - Includes items 3-6
 C - MK5 SAC was discontinued and replaced with a MK5 TAC. See page titled "MK5 TAC and Mounting Hardware" dated 01/06/06-01/25/06

MK5 SAC, Shroud Cover and Mounting Hardware

Conventional Tilt & Tilt w/ BPO Option 4/15/05-10/19/05



MK5 SAC, Shroud Cover and Mounting Hardware

Conventional Tilt & Tilt w/ BPO Option 4/15/05-10/19/05

Item Number	Note	Part Number	Description	Quantity Per	
				Package	Assembly
1	E	1119458-NLA	Control, MK5 SAC	1	1
2		1052041	Screw, Phillips Pan Head (#4-40 x 3/8")	1	4
3		1123268	Harness, Tilt Mercury Switch	1	1
4	A	1125770	Kit, Mercury Switch Mounting Hardware	1	1
5			Locknut (1/4-20)	1	2
6			Washer (1/4 x 1/2 x 1/16")	1	2
7			Bracket, Mercury Switch	1	1
8			Screw, Hex Head Cap w/ Patch (1/4-20 x 1/2")	1	2
9	B,D	1128362	Kit, TRECM/SAC Mounting Hardware 16-20" Wide For Conventional Tilt Only	1	1
2			Screw, Phillips Pan Head (#10-32 x 3/8")	1	2
2			Screw, Phillips Pan Head (#4-40 x 3/8")	1	4
10			Bracket, Spreader Bar - Right	1	1
10			Bracket, Spreader Bar - Left	1	1
11			Half Clamp, Threaded Holes	1	2
12			Half Clamp, Non-Threaded Holes	1	2
13			Tube, Spreader Bar 16-20" Wide	1	1
14			Collar, Anti-Rattle (7/8")	1	2
15			Spacer, Coved (1/4 x 11/16 x 1/2")	1	4
16			Locknut (1/4-20)	1	2
17			Screw, Hex Head (1/4-20 x 1-3/8")	1	2
18			Screw, Hex Head (1/4-20 x 1-1/4")	1	4
19			TRECM/SAC/TAC/MK6i Connector Shroud Mounting Tray Assembly	1	1
9	B,D	1128361	Kit, TRECM/SAC Mounting Hardware 20-24" Wide For Conventional Tilt Only	1	1
2			Screw, Phillips Pan Head (#10-32 x 3/8")	1	2
2			Screw, Phillips Pan Head (#4-40 x 3/8")	1	4
10			Bracket, Spreader Bar - Right	1	1
10			Bracket, Spreader Bar - Left	1	1
11			Half Clamp, Threaded Holes	1	2
12			Half Clamp, Non-Threaded Holes	1	2
13			Tube, Spreader Bar 20-24" Wide	1	1
14			Collar, Anti-Rattle (7/8")	1	2
15			Spacer, Coved (1/4 x 11/16 x 1/2")	1	4
16			Locknut (1/4-20)	1	2
17			Screw, Hex Head (1/4-20 x 1-3/8")	1	2
18			Screw, Hex Head (1/4-20 x 1-1/4")	1	4
19			TRECM/SAC/TAC/MK6i Connector Shroud Mounting Tray Assembly	1	1
20	C,D,F, F1	1133807-NLA	Kit, SAC Shrouds and Mounting Hardware 16-20" Wide For Conventional Tilt Only	1	1
2			Screw, Phillips Pan Head (#4-40 x 3/8")	1	4
10			Bracket, Spreader Bar - Right	1	1

MK5 SAC, Shroud Cover and Mounting Hardware Conventional Tilt & Tilt w/ BPO Option 4/15/05-10/19/05

Item Number	Note	Part Number	Description	Quantity Per	
				Package	Assembly
10			Bracket, Spreader Bar - Left	1	1
11			Half Clamp, Threaded Holes	1	2
12			Half Clamp, Non-Threaded Holes	1	2
13			Tube, Spreader Bar 16-20" Wide	1	1
14			Collar, Anti-Rattle (7/8")	1	2
15			Spacer, Coved (1/4 x 11/16 x 1/2")	1	4
16			Locknut (1/4-20)	1	2
17			Screw, Hex Head (1/4-20 x 1-3/8")	1	2
18			Screw, Hex Head (1/4-20 x 1-1/4")	1	4
19			TRECM/SAC/TAC/MK6i Connector Shroud Mounting Tray Assembly	1	1
21			Screw, Thumb (#10-32 x 1/2")	1	1
22			Shroud, SAC Cover	1	1
23			Shroud, Back	1	1
24			Screw, Phillips Pan Head Tap (#10-32 x 1/2")	1	4
20	C,D,F, F1	1133836-NLA	Kit, SAC Shrouds and Mounting Hardware 20-24" Wide For Conventional Tilt Only	1	1
2			Screw, Phillips Pan Head (#4-40 x 3/8")	1	4
10			Bracket, Spreader Bar - Right	1	1
10			Bracket, Spreader Bar - Left	1	1
11			Half Clamp, Threaded Holes	1	2
12			Half Clamp, Non-Threaded Holes	1	2
13			Tube, Spreader Bar 20-24" Wide	1	1
14			Collar, Anti-Rattle (7/8")	1	2
15			Spacer, Coved (1/4 x 11/16 x 1/2")	1	4
16			Locknut (1/4-20)	1	2
17			Screw, Hex Head (1/4-20 x 1-3/8")	1	2
18			Screw, Hex Head (1/4-20 x 1-1/4")	1	4
19			TRECM/SAC/TAC/MK6i Connector Shroud Mounting Tray Assembly	1	1
21			Screw, Thumb (#10-32 x 1/2")	1	1
22			Shroud, SAC Cover	1	1
23			Shroud, Back	1	1
24			Screw, Phillips Pan Head Tap (#10-32 x 1/2")	1	4
25		1119418	Cable, Auxiliary Power	1	1
26		1126179	Harness, Actuator Extension To SAC or TRSS	1	1

MK5 SAC, Shroud Cover and Mounting Hardware

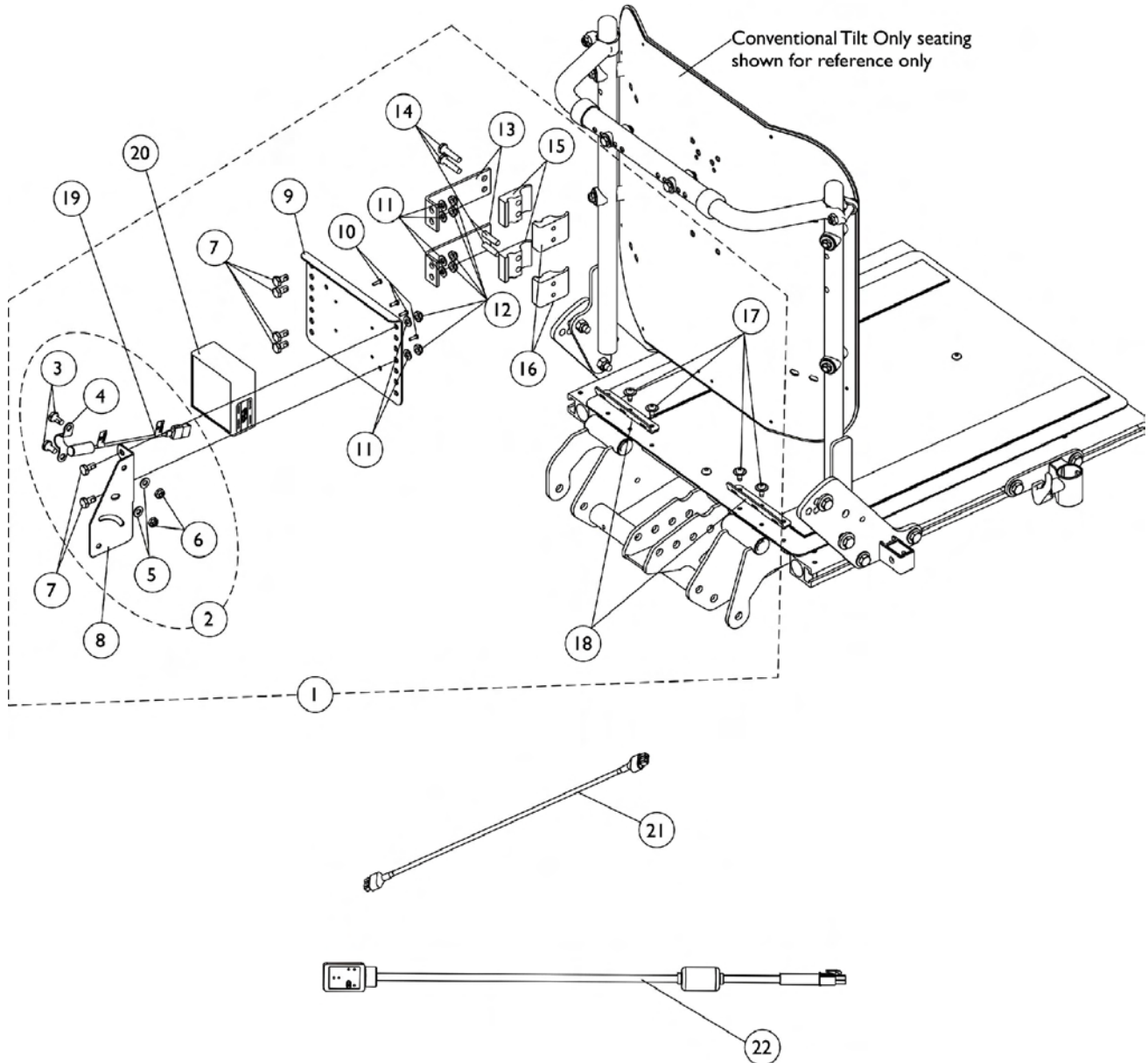
Conventional Tilt & Tilt w/ BPO Option 4/15/05-10/19/05

NOTE: A - Includes items 5-8
B - Includes items 2 and 10-19
C - Includes items 2, 10-19 and 21-24
D - Item 2 includes both attaching hardware screws for the MK5 TRECM and the MK5 SAC controller. Part number 1052041 screw is used to assemble a MK5 SAC to item 19 Mounting Tray Assembly.
E - MK5 SAC was discontinued and replaced with a MK5 TAC. See page titled "MK5 TAC and Mounting Hardware" dated after 1/25/06.
F - No Longer Available. When a complete Shroud and Mounting Hardware is requested, See page titled "MK5 TAC Controller, Shroud Covers, Mercury Switches and Hardware" After 01/25/06 and order item 22.
F1 - When a MK5 SAC has not been replaced by a MK5 TAC, use the 4 existing mounting screws (item 2 part #1052041) to mount the MK5 SAC control

MK5 SAC and Mounting Hardware

Conventional Tilt & Tilt w/ BPO Option 10/20/05-1/5/06

Mounting hardware accommodates the Personal Back 10 and DualFlex Backs from Invacare.



MK5 SAC and Mounting Hardware

Conventional Tilt & Tilt w/ BPO Option 10/20/05-1/5/06

Mounting hardware accommodates the Personal Back 10 and DualFlex Backs from Invacare.

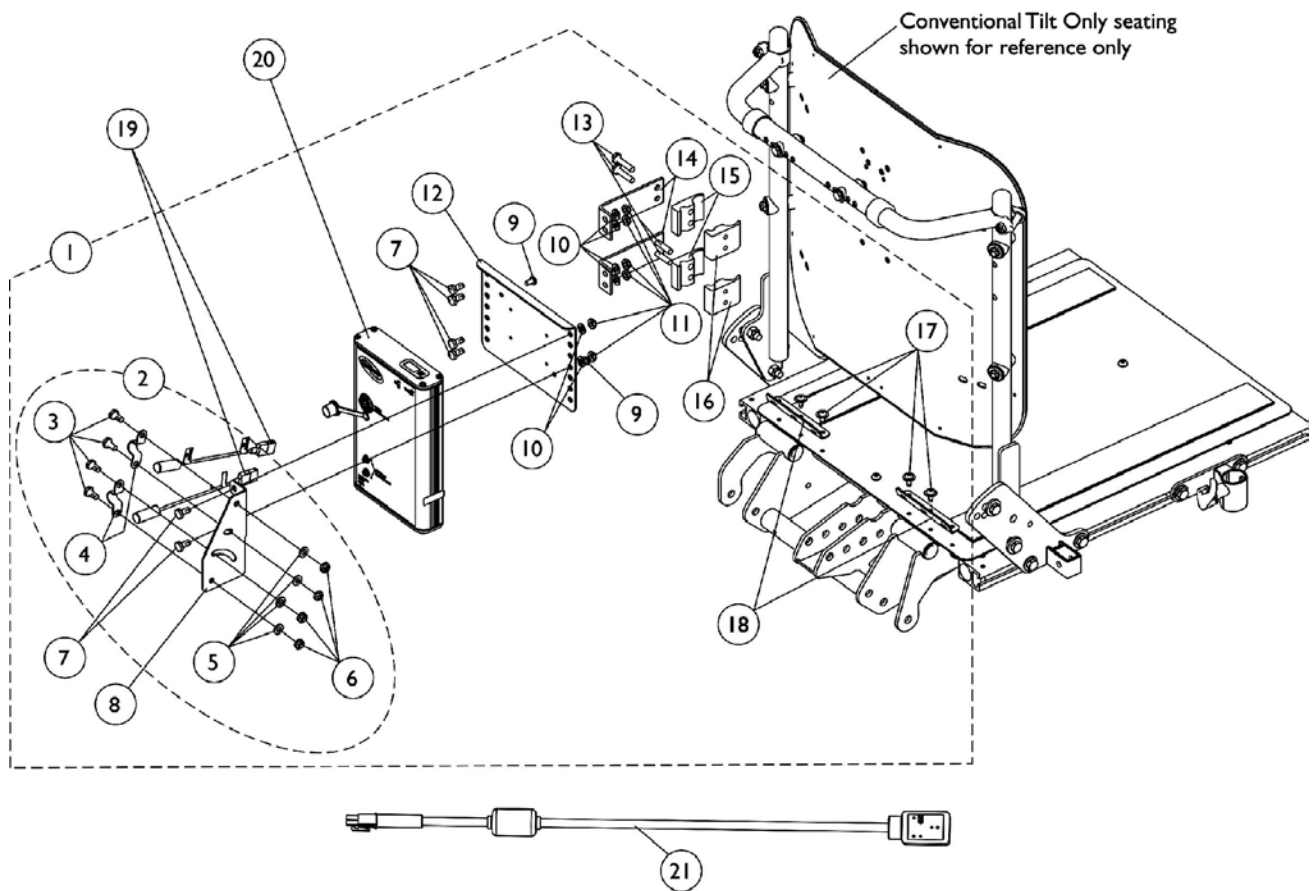
Item Number	Note	Part Number	Description	Quantity Per	
				Package	Assembly
1	A	1128358	Kit, SAC/Mercury Switch Mounting Hardware For Conventional Tilt Only	1	1
3			Screw, Hex Head Cap w/ Patch (1/4-20 x 1/2")	1	2
4			Bracket, Mercury Switch	1	1
5			Washer (1/4 x 1/2 x 1/16")	1	2
6			Locknut (1/4-20)	1	2
7			Screw, Hex Head Cap w/ Patch (1/4-20 x 1/2")	1	6
8			Bracket, Mercury Switch Mounting	1	1
9			Bracket, Controller	1	1
10			Screw, Phillips Pan Head (#4-40 x 3/8")	1	4
11			Washer (1/4 x 1/2 x 1/16")	1	6
12			Locknut (1/4-20)	1	6
13			Bracket, Standoff	1	2
14			Screw, Hex Head (1/4-20 x 1-1/8")	1	4
15			Half Clamp, Non-Threaded Holes	1	2
16			Half Clamp, Threaded Holes	1	2
17			Screw, Phillips Pan Head Tap (#10-32 x 1/2")	1	4
18			Bracket, Seat Pan Wiring	1	2
19		1123268	Harness, Tilt Mercury Switch	1	1
20	C	1119458-NLA	Control, MK5 SAC	1	1
21		1126179	Harness, Actuator Extension To SAC or TRSS	1	1
22		1119418	Cable, Auxiliary Power	1	1
2	B	1125770	Kit, Mercury Switch Mounting Hardware	1	1
3			Screw, Hex Head Cap w/ Patch (1/4-20 x 1/2")	1	2
4			Bracket, Mercury Switch	1	1
5			Washer (1/4 x 1/2 x 1/16")	1	2
6			Locknut (1/4-20)	1	2

NOTE: A - Includes items 3-18
 B - Includes items 3-6
 C - MK5 SAC was discontinued and replaced with a MK5 TAC. See page titled "MK5 TAC and Mounting Hardware" dated 01/06/06-01/25/06

MK5 TAC, Mercury Switches and Mounting Hardware

Conventional Tilt & Tilt w/ BPO Option 1/6/06-1/25/06

Mounting hardware accommodates the Personal Back 10 and DualFlex Backs from Invacare.



MK5 TAC, Mercury Switches and Mounting Hardware

Conventional Tilt & Tilt w/ BPO Option 1/6/06-1/25/06

Mounting hardware accommodates the Personal Back 10 and DualFlex Backs from Invacare.

Item Number	Note	Part Number	Description	Quantity Per	
				Package	Assembly
1	A	1128359	Kit, TRECM/TAC and Mercury Switch Mounting Hardware	1	1
3			Screw, Hex Head Cap w/ Patch (1/4-20 x 1/2")	1	4
4			Bracket, Mercury Switch	1	2
5			Washer (1/4 x 1/2 x 1/16")	1	4
6			Locknut (1/4-20)	1	4
7			Screw, Hex Head Cap w/ Patch (1/4-20 x 1/2")	1	6
8			Bracket, Mercury Switch Mounting	1	1
9			Screw, Phillips Pan Head (#10-32 x 3/8")	1	2
10			Washer (1/4 x 1/2 x 1/16")	1	6
11			Locknut (1/4-20)	1	6
12			Bracket, Controller	1	1
13			Screw, Hex Head (1/4-20 x 1-1/8")	1	4
14			Bracket, Standoff	1	2
15			Half Clamp, Non-Threaded Holes	1	2
16			Half Clamp, Threaded Holes	1	2
17			Screw, Phillips Pan Head Tap (#10-32 x 1/2")	1	4
18			Bracket, Seat Pan Wiring	1	2
19		1080634	Harness, Drive Lockout Mercury Switch	1	2
20	C	1118728	Controller, MK5 TAC	1	1
2	B	1125730	Kit, Drive Lockout/Recline Mercury Switch Mounting Hardware	2	1
3			Screw, Hex Head Cap w/ Patch (1/4-20 x 1/2")	1	4
4			Bracket, Mercury Switch	1	2
5			Washer (1/4 x 1/2 x 1/16")	1	4
6			Locknut (1/4-20)	1	4
2	B	1125770	Kit, Mercury Switch Mounting Hardware	1	2
3			Screw, Hex Head Cap w/ Patch (1/4-20 x 1/2")	1	2
4			Bracket, Mercury Switch	1	1
5			Washer (1/4 x 1/2 x 1/16")	1	2
6			Locknut (1/4-20)	1	2
9		1079316	Screw, Phillips Pan Head (#10-32 x 3/8")	1	2
21		1119418	Cable, Auxiliary Power	1	1
	D	1142597	Kit, MK5 SAC To MK5 TAC Conversion For (Formula Contoura Tilt or Recline) & (Conventional Tilt) on TDX	1	1
3,7			Screw, Hex Head Cap w/ Patch (1/4-20 x 1/2")	1	10
4			Bracket, Mercury Switch	1	1
5,10			Washer (1/4 x 1/2 x 1/16")	1	10
6,11			Locknut (1/4-20)	1	10
8			Bracket, Mercury Switch Mounting	1	1
9			Screw, Phillips Pan Head (#10-32 x 3/8")	1	2
12			Bracket, Controller	1	1

MK5 TAC, Mercury Switches and Mounting Hardware

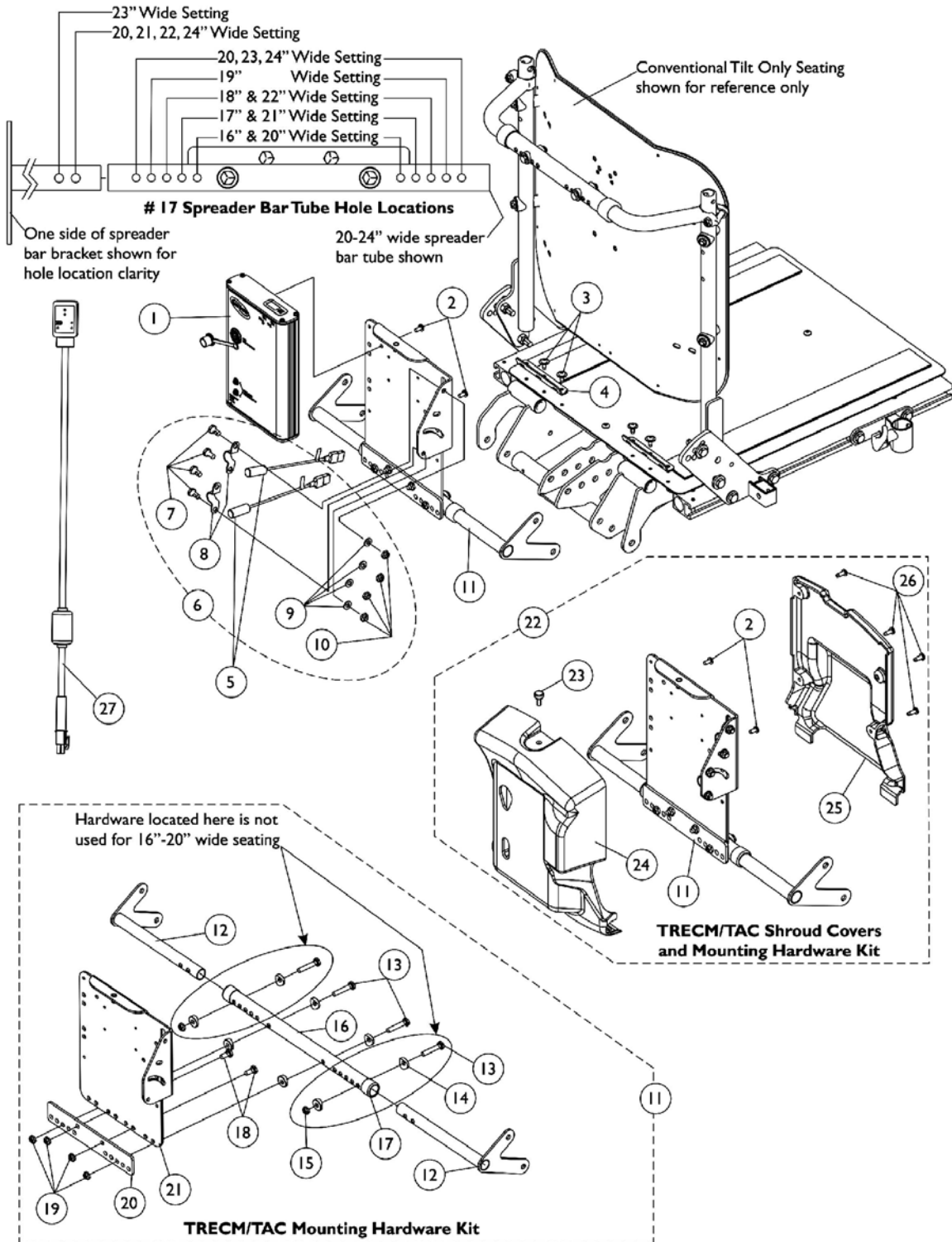
Conventional Tilt & Tilt w/ BPO Option 1/6/06-1/25/06

Mounting hardware accommodates the Personal Back 10 and DualFlex Backs from Invacare.

Item Number	Note	Part Number	Description	Quantity Per	
				Package	Assembly
13			Screw, Hex Head (1/4-20 x 1-1/8")	1	4
14			Bracket, Standoff	1	2
15			Half Clamp, Non-Threaded Holes	1	2
16			Half Clamp, Threaded Holes	1	2
19			Harness, Drive Lockout Mercury Switch	1	2
20			Controller, MK5 TAC	1	1
			Cable Tie (11-1/2" Long)	1	10
			Cable Tie (5-5/8" Long)	1	10
			Instruction Sheet, MK5 SAC To MK5 TAC Conversion For Formula (Contoura Tilt or Recline) & (Conventional Tilt or Recline) on TDX	1	1
	E	1095502	Package, Cable Ties (11-1/2" Long)	10	1
	E	1095503	Package, Cable Ties (5-5/8" Long)	10	1
	E	1141486	Instruction Sheet, MK5 SAC To MK5 TAC Conversion For Formula (Contoura Tilt or Recline) & (Conventional Tilt or Recline) on TDX	1	1
<p>NOTE: A - Includes items 3-18 B - Includes items 3-6 C - When converting a MK5 SAC to a MK5 TAC, refer to the Conversion Kit part # 1142597. Conversion Kit includes all parts needed to convert a (Contoura Recline Only, Contoura Tilt Only or Conventional Tilt Only) D - Not Shown. Kit components used for a Conventional Tilt includes items 3-16, 19, 20, Cable Ties and Instruction Sheet E - Not Shown</p>					

MK5 TAC, Shroud Cover, Mercury Switches and Mounting Hardware

Conventional Tilt & Tilt w/ BPO Option After 1/25/06



MK5 TAC, Shroud Cover, Mercury Switches and Mounting Hardware

Conventional Tilt & Tilt w/ BPO Option After 1/25/06

Item Number	Note	Part Number	Description	Quantity Per	
				Package	Assembly
1	F	1118728	Controller, MK5 TAC	1	1
2		1079316	Screw, Phillips Pan Head (#10-32 x 3/8")	1	2
3		1114308	Screw, Phillips Pan Head Tap (#10-32 x 1/2")	1	4
4		1125647	Bracket, Seat Pan Wiring	1	2
5		1080634	Harness, Drive Lockout Mercury Switch	1	2
6	A	1125730	Kit, Drive Lockout/Recline Mercury Switch Mounting Hardware	2	1
7			Screw, Hex Head Cap w/ Patch (1/4-20 x 1/2")	1	4
8			Bracket, Mercury Switch	1	2
9			Washer (1/4 x 1/2 x 1/16")	1	4
10			Locknut (1/4-20)	1	4
6	A	1125770	Kit, Mercury Switch Mounting Hardware	1	2
7			Screw, Hex Head Cap w/ Patch (1/4-20 x 1/2")	1	2
8			Bracket, Mercury Switch	1	1
9			Washer (1/4 x 1/2 x 1/16")	1	2
10			Locknut (1/4-20)	1	2
11	B	1140266	Kit, TRECM/TAC/MK6i Connector Shroud Mtg. Hdwr. 16-20" Wide For Conventional Tilt Only	1	1
12			Bracket, Spreader Bar - Right	1	1
12			Bracket, Spreader Bar - Left	1	1
13			Screw, Hex Head (1/4-20 x 1-1/2")	1	2
14			Spacer, Coved (1/4 x 11/16 x 1/2")	1	4
16			Tube, Spreader Bar 16-20" Wide	1	1
17			Collar, Anti-Rattle (7/8")	1	2
18			Screw, Hex Head (1/4-20 x 5/8")	1	2
19			Locknut (1/4-20)	1	4
20			Plate, Mounting	1	1
21			TRECM/SAC/TAC/MK6i Connector Shroud Mounting Tray Assembly	1	1
11	C	1140267	Kit, TRECM/TAC/MK6i Connector Shroud Mtg. Hdwr. 20-24" Wide For Conventional Tilt Only	1	1
12			Bracket, Spreader Bar - Right	1	1
12			Bracket, Spreader Bar - Left	1	1
13			Screw, Hex Head (1/4-20 x 1-1/2")	1	4
14			Spacer, Coved (1/4 x 11/16 x 1/2")	1	8
15			Locknut (1/4-20)	1	2
16			Tube, Spreader Bar 20-24" Wide	1	1
17			Collar, Anti-Rattle (7/8")	1	2
18			Screw, Hex Head (1/4-20 x 5/8")	1	2
19			Locknut (1/4-20)	1	4
20			Plate, Mounting	1	1
21			TRECM/SAC/TAC/MK6i Connector Shroud Mounting Tray Assembly	1	1

MK5 TAC, Shroud Cover, Mercury Switches and Mounting Hardware

Conventional Tilt & Tilt w/ BPO Option After 1/25/06

Item Number	Note	Part Number	Description	Quantity Per	
				Package	Assembly
22	D	1140268	Kit, TRECM/TAC/MK6i Connector Shrouds and Mtg. Hdw. 16-20" Wide For Conventional Tilt Only	1	1
2			Screw, Phillips Pan Head (#10-32 x 3/8")	1	2
12			Bracket, Spreader Bar - Right	1	1
12			Bracket, Spreader Bar - Left	1	1
13			Screw, Hex Head (1/4-20 x 1-1/2")	1	2
14			Spacer, Coved (1/4 x 11/16 x 1/2")	1	4
16			Tube, Spreader Bar 16-20" Wide	1	1
17			Collar, Anti-Rattle (7/8")	1	2
18			Screw, Hex Head (1/4-20 x 5/8")	1	2
19			Locknut (1/4-20)	1	4
20			Plate, Mounting	1	1
21			TRECM/SAC/TAC/MK6i Connector Shroud Mounting Tray Assembly	1	1
23			Screw, Thumb (#10-32 x 1/2")	1	1
24			Shroud, Cover	1	1
25			Shroud, Back	1	1
26			Screw, Phillips Pan Head Tap (#10-32 x 1/2")	1	4
22	E	1140269	Kit, TRECM/TAC/MK6i Connector Shrouds and Mtg. Hdw. 20-24" Wide For Conventional Tilt Only	1	1
2			Screw, Phillips Pan Head (#10-32 x 3/8")	1	2
12			Bracket, Spreader Bar - Right	1	1
12			Bracket, Spreader Bar - Left	1	1
13			Screw, Hex Head (1/4-20 x 1-1/2")	1	4
14			Spacer, Coved (1/4 x 11/16 x 1/2")	1	8
15			Locknut (1/4-20)	1	2
16			Tube, Spreader Bar 20-24" Wide	1	1
17			Collar, Anti-Rattle (7/8")	1	2
18			Screw, Hex Head (1/4-20 x 5/8")	1	2
19			Locknut (1/4-20)	1	4
20			Plate, Mounting	1	1
21			TRECM/SAC/TAC/MK6i Connector Shroud Mounting Tray Assembly	1	1
23			Screw, Thumb (#10-32 x 1/2")	1	1
24			Shroud, Cover	1	1
25			Shroud, Back	1	1
26			Screw, Phillips Pan Head Tap (#10-32 x 1/2")	1	4
27		1119418	Cable, Auxiliary Power	1	1
	G	1142597	Kit, MK5 SAC To MK5 TAC Conversion For (Formula Contoura Tilt or Recline) & (Conventional Tilt) on TDX	1	1
1			Controller, MK5 TAC	1	1
2			Screw, Phillips Pan Head (#10-32 x 3/8")	1	2

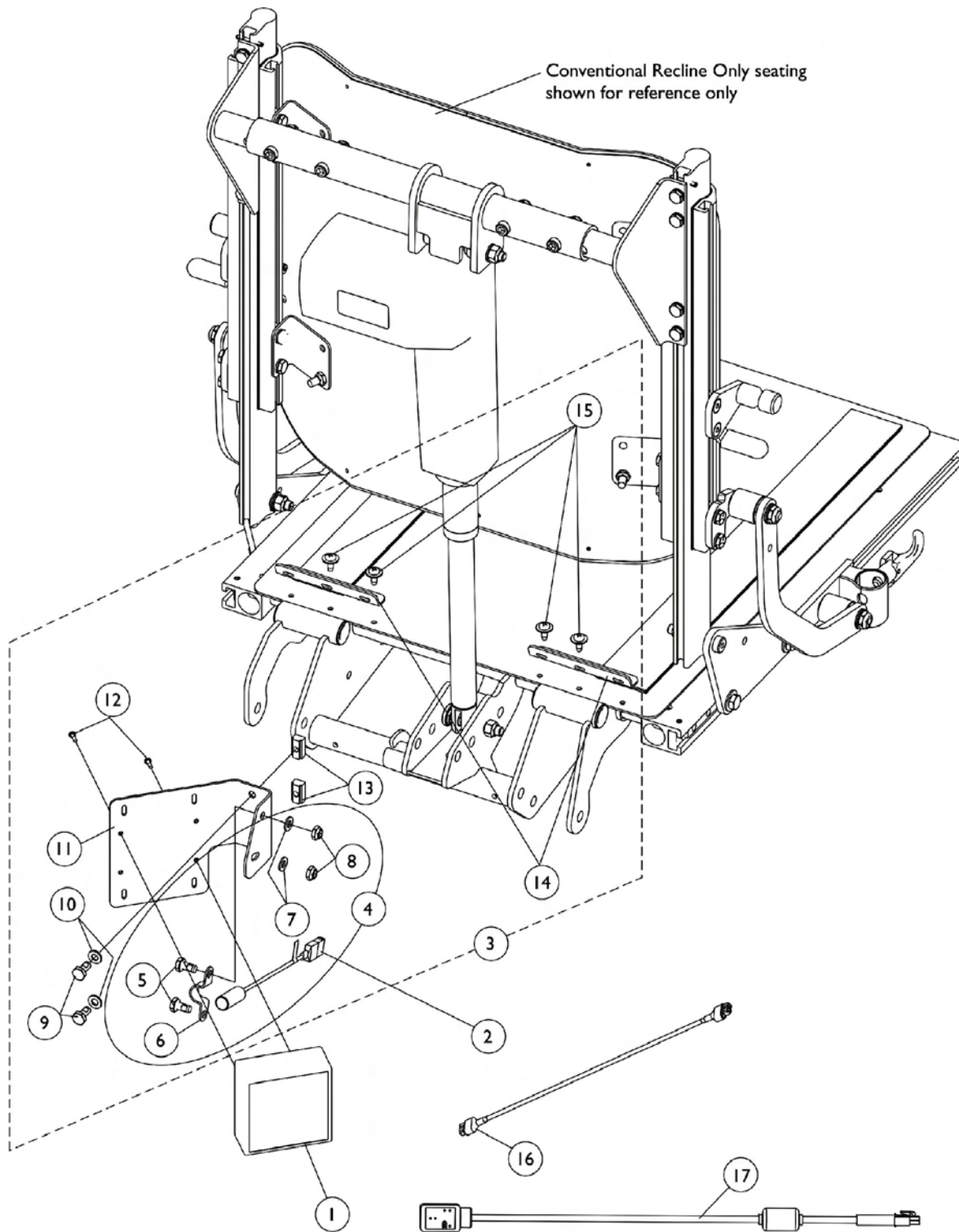
MK5 TAC, Shroud Cover, Mercury Switches and Mounting Hardware

Conventional Tilt & Tilt w/ BPO Option After 1/25/06

Item Number	Note	Part Number	Description	Quantity Per	
				Package	Assembly
5			Harness, Drive Lockout Mercury Switch	1	2
7			Screw, Hex Head Cap w/ Patch (1/4-20 x 1/2")	1	10
8			Bracket, Mercury Switch	1	1
9			Washer (1/4 x 1/2 x 1/16")	1	10
10			Locknut (1/4-20)	1	10
			Bracket, Mercury Switch Mounting	1	1
			Bracket, Controller	1	1
			Screw, Hex Head (1/4-20 x 1-1/8")	1	4
			Bracket, Standoff	1	2
			Half Clamp, Non-Threaded Holes	1	2
			Half Clamp, Threaded Holes	1	2
			Cable Tie (11-1/2" Long)	1	10
			Cable Tie (5-5/8" Long)	1	10
			Instruction Sheet, MK5 SAC To MK5 TAC Conversion For Formula (Contoura Tilt or Recline) & (Conventional Tilt or Recline) on TDX	1	1
	H	1095503	Package, Cable Ties (5-5/8" Long)	10	1
	H	1095502	Package, Cable Ties (11-1/2" Long)	10	1
	H	1141486	Instruction Sheet, MK5 SAC To MK5 TAC Conversion For Formula (Contoura Tilt or Recline) & (Conventional Tilt or Recline) on TDX	1	1
<p>NOTE: A - Includes items 7-10 B - Includes items 12-14 and 16-21 C - Includes items 12-21 D - Includes items 2, 12-14, 16-21 and 23-26 E - Includes items 2, 12-21 and 23-26 F - When converting a MK5 SAC to a MK5 TAC, refer to the Conversion Kit part # 1142597. Conversion Kit includes all parts needed to convert a (Contoura Recline Only, Contoura Tilt Only or Conventional Tilt Only) G - Not Shown. Kit components for a Conventional Tilt Only uses items 1, 2, 5, 7-10, Cable Ties and Instruction Sheet H - Not Shown</p>					

MK5 SAC and Mounting Hardware

Conventional Recline and Recline w/ BPO Option Before 1/6/06



MK5 SAC and Mounting Hardware

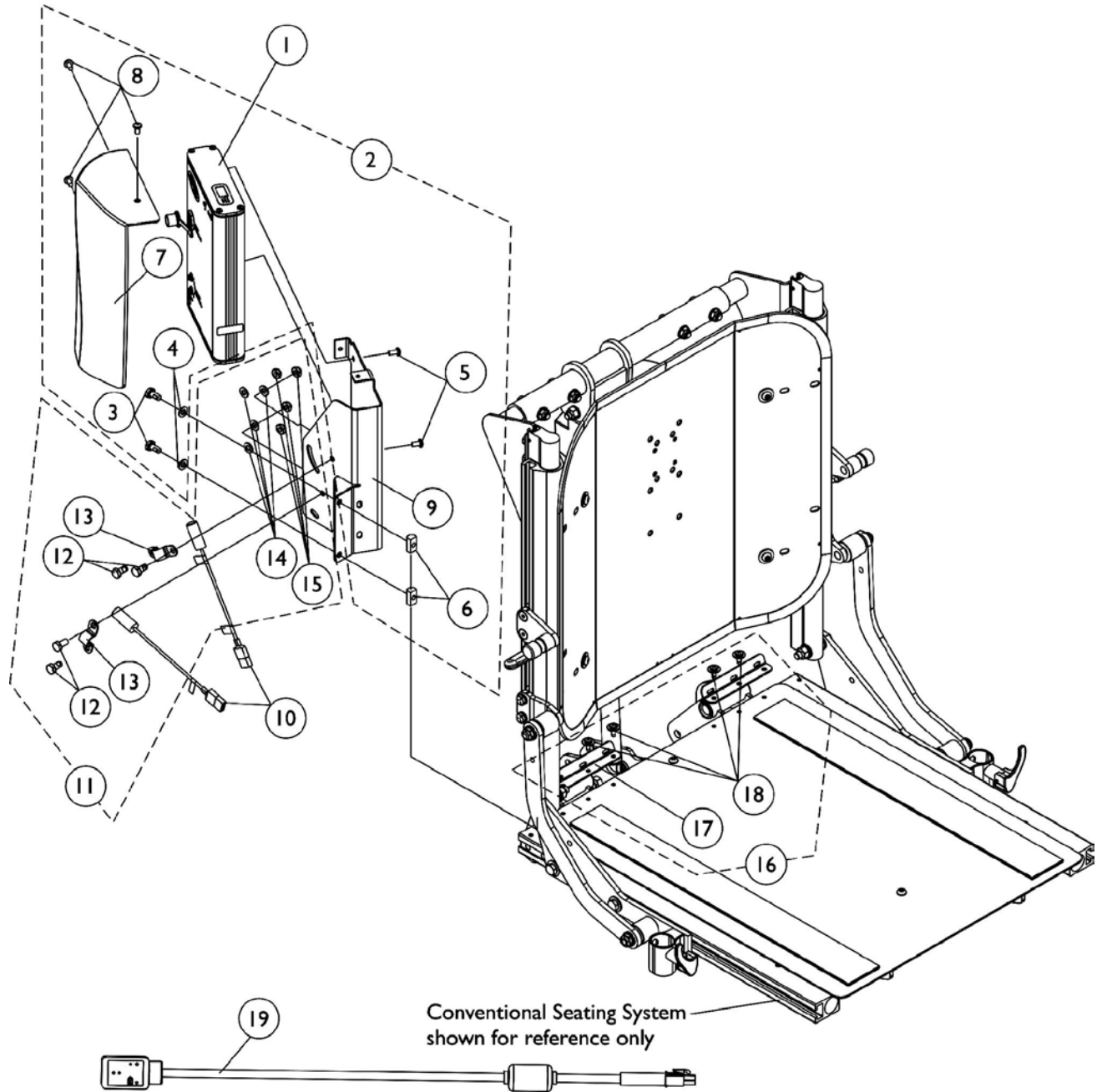
Conventional Recline and Recline w/ BPO Option Before 1/6/06

Item Number	Note	Part Number	Description	Quantity Per	
				Package	Assembly
1	C	1119458-NLA	Control, MK5 SAC	1	1
2		1080635	Harness, Recline/Tilt Mercury Switch	1	1
3	A	1125773	Kit, SAC/Mercury Switch Mounting Hardware For Conventional Recline Only	1	1
5			Screw, Hex Head Cap w/ Patch (1/4-20 x 1/2")	1	2
6			Bracket, Mercury Switch	1	1
7			Washer (1/4 x 1/2 x 1/16")	1	2
8			Locknut (1/4-20)	1	2
9			Screw, Hex Head (1/4-20 x 1-3/8")	1	2
10			Washer (1/4 x 1/2 x 1/16")	1	2
11			Bracket, MK5 SAC Mounting	1	1
12			Screw, Phillips Pan Head (#4-40 x 3/8")	1	2
13			T-Nut (1/4-20)	1	2
14			Bracket, Seat Pan Wiring	1	2
15			Screw, Phillips Pan Head Tap (#10-32 x 1/2")	1	4
4	B	1125770	Kit, Mercury Switch Mounting Hardware	1	1
5			Screw, Hex Head Cap w/ Patch (1/4-20 x 1/2")	1	2
6			Bracket, Mercury Switch	1	1
7			Washer (1/4 x 1/2 x 1/16")	1	2
8			Locknut (1/4-20)	1	2
16		1126179	Harness, Actuator Extension To SAC or TRSS	1	1
17		1119418	Cable, Auxiliary Power	1	1

NOTE: A - Includes items 5-15
B - Includes items 5-8
C - MK5 SAC was discontinued and replaced with a MK5 TAC. See page titled "MK5 TAC, Shroud Cover & Mercury Switches, Conv. Recline & Recline w/ BPO Option" After 1/05/06

MK5 TAC, Shroud Cover and Mercury Switches

Conventional Recline & Recline w/ BPO Option After 1/5/06



MK5 TAC, Shroud Cover and Mercury Switches

Conventional Recline & Recline w/ BPO Option After 1/5/06

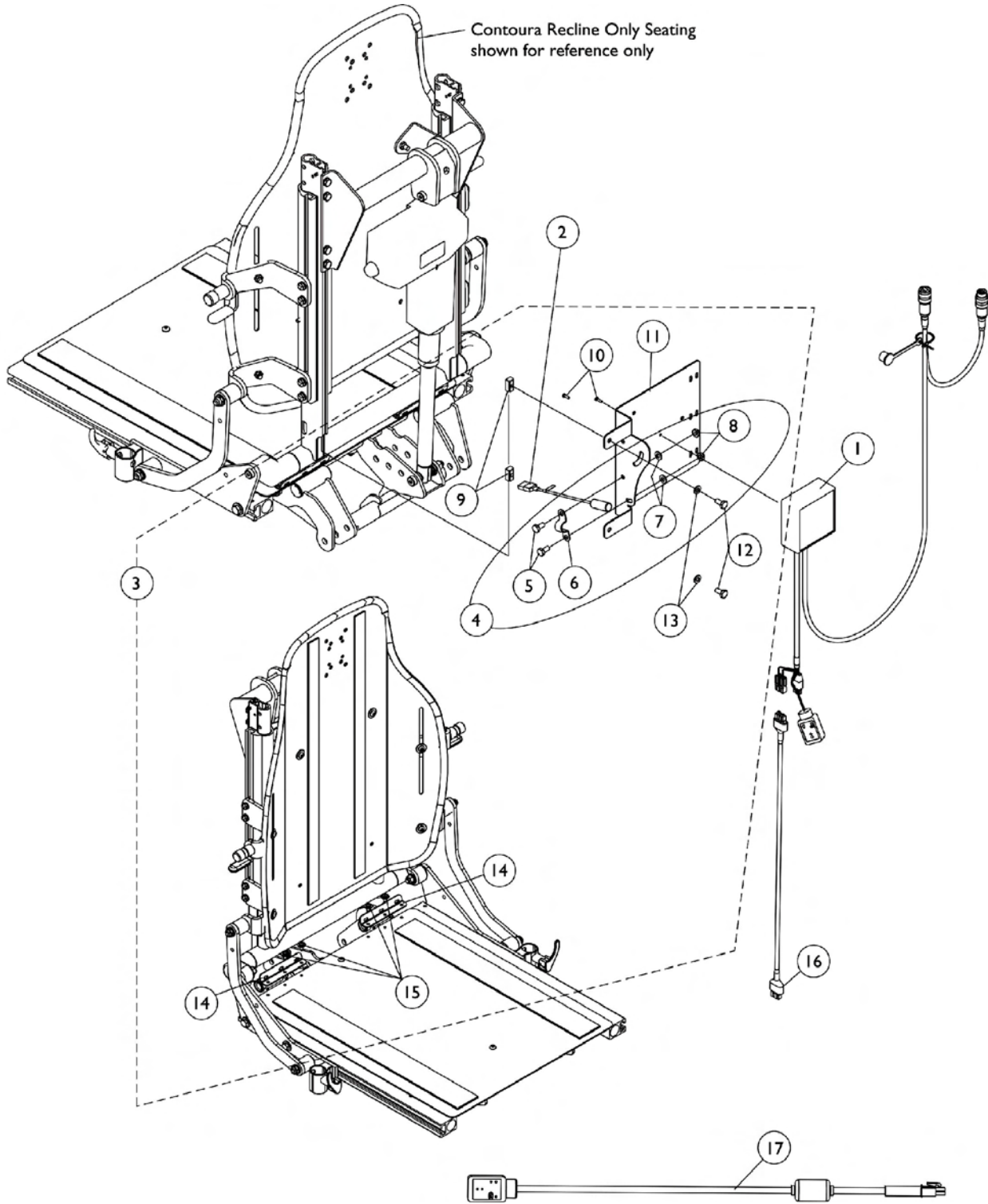
Item Number	Note	Part Number	Description	Quantity Per	
				Package	Assembly
1	D	1118728	Controller, MK5 TAC	1	1
2	A	1133131	Kit, TRECM/TAC Mounting Hardware and Shroud Cover	1	1
3			For Conventional Seating w/ Extruded Canes		
4			Screw, Hex Head Cap w/ Patch (1/4-20 x 1/2")	1	2
5			Washer (1/4 x 1/2 x 1/16")	1	2
6			Screw, Phillips Pan Head (#10-32 x 3/8")	1	2
7			T-Nut (1/4-20)	1	2
8			Shroud, TRECM/TAC Recline Cover	1	1
9			Screw, Phillips Pan Head Tap (#10-32 x 3/8")	1	3
10			Bracket, TRECM/TAC Controller/Shroud Mounting	1	1
11	B	1080634	Harness, Drive Lockout Mercury Switch	1	2
12		1125730	Kit, Drive Lockout/Recline Mercury Switch Mounting Hardware	2	1
13			Screw, Hex Head Cap w/ Patch (1/4-20 x 1/2")	1	4
14			Bracket, Mercury Switch	1	2
15			Washer (1/4 x 1/2 x 1/16")	1	4
16			Locknut (1/4-20)	1	4
17	B	1125770	Kit, Mercury Switch Mounting Hardware	1	2
18			Screw, Hex Head Cap w/ Patch (1/4-20 x 1/2")	1	2
19			Bracket, Mercury Switch	1	1
20			Washer (1/4 x 1/2 x 1/16")	1	2
21			Locknut (1/4-20)	1	2
22	C	1133130	Kit, Seat Pan Wiring Brackets w/ Hardware	2	1
23			Bracket, Seat Pan Wiring	1	2
24			Screw, Phillips Pan Head Tap (#10-32 x 1/2")	1	4
25		1119418	Cable, Auxiliary Power	1	1
26	E	1142599	Kit, MK5 SAC To MK5 TAC Conversion For Conventional Recline	1	1
27			Controller, MK5 TAC	1	1
28			Screw, Hex Head Cap w/ Patch (1/4-20 x 1/2")	1	4
29			Washer (1/4 x 1/2 x 1/16")	1	6
30			Screw, Phillips Pan Head (#10-32 x 3/8")	1	2
31			T-Nut (1/4-20)	1	2
32			Shroud, TRECM/TAC Recline Cover	1	1
33			Screw, Phillips Pan Head Tap (#10-32 x 3/8")	1	3
34			Bracket, TRECM/TAC Controller/Shroud Mounting	1	1
35			Harness, Drive Lockout Mercury Switch	1	2
36			Bracket, Mercury Switch	1	1
37			Locknut (1/4-20)	1	2
38			Cable Tie (11-1/2" Long)	1	10
39			Cable Tie (5-5/8" Long)	1	10

MK5 TAC, Shroud Cover and Mercury Switches Conventional Recline & Recline w/ BPO Option After 1/5/06

Item Number	Note	Part Number	Description	Quantity Per	
				Package	Assembly
			Instruction Sheet, MK5 SAC To MK5 TAC Conversion For Formula (Contoura Tilt or Recline) & (Conventional Tilt or Recline) on TDX	1	1
	F	1095503	Package, Cable Ties (5-5/8" Long)	10	1
	F	1095502	Package, Cable Ties (11-1/2" Long)	10	1
	F	1141486	Instruction Sheet, MK5 SAC To MK5 TAC Conversion For Formula (Contoura Tilt or Recline) & (Conventional Tilt or Recline) on TDX	1	1
NOTE: A - Includes items 3-9 B - Includes items 12-15 C - Includes items 17-18 D - When converting a MK5 SAC to a MK5 TAC, refer to the Conversion Kit part # 1142599. Conversion Kit includes all parts needed to convert a (Conventional Recline) E - Not Shown. Kit components for Conventional Recline Only uses items 1, 3-10, 12-15, Cable Ties and Instruction Sheet F - Not Shown					

MK5 SAC and Mounting Hardware

Contoura Recline Only & Contoura Tilt Only Before 1/6/06



MK5 SAC and Mounting Hardware

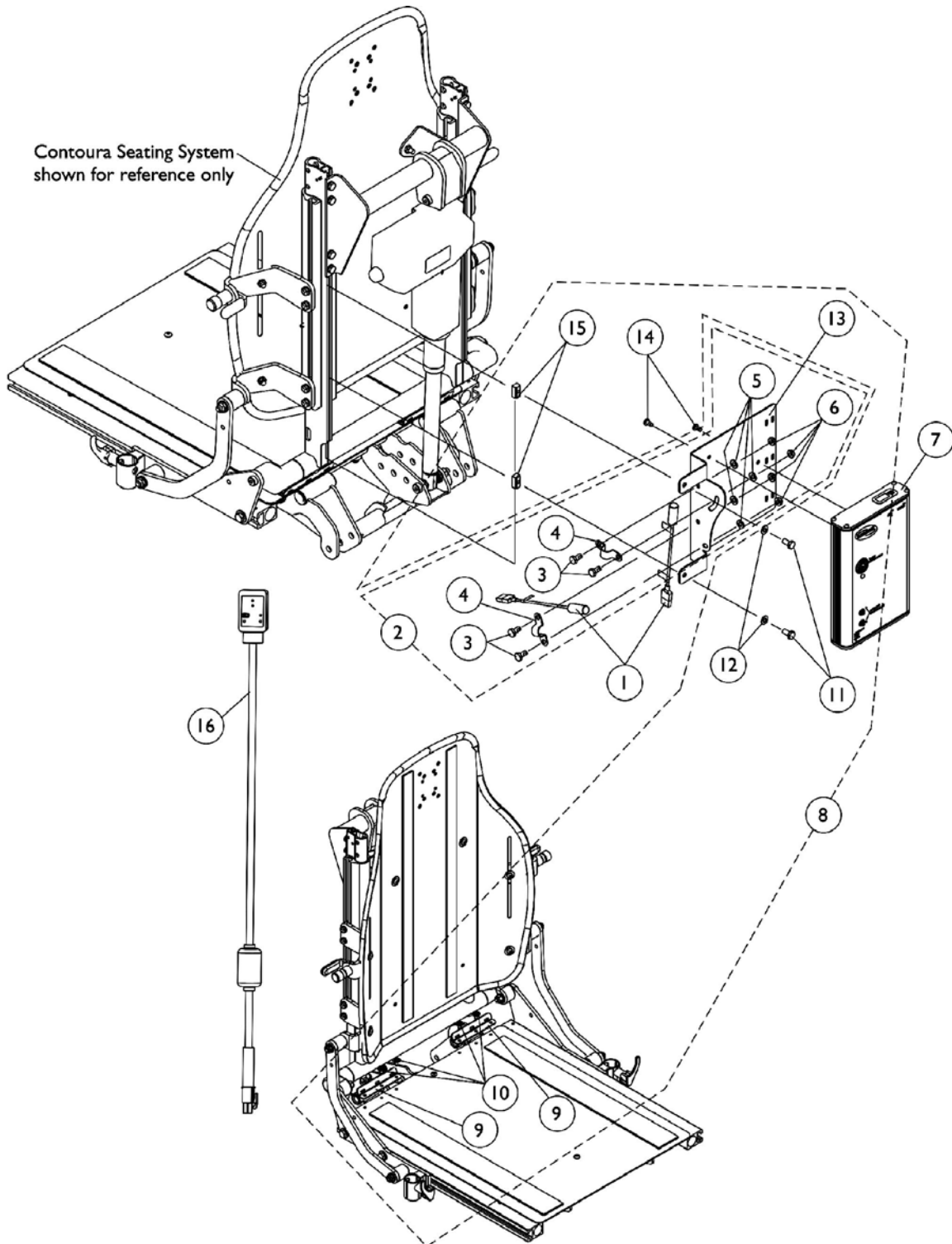
Contoura Recline Only & Contoura Tilt Only Before 1/6/06

Item Number	Note	Part Number	Description	Quantity Per	
				Package	Assembly
1	C	1119458-NLA	Control, MK5 SAC	1	1
2		1080635	Harness, Recline/Tilt Mercury Switch	1	1
3	A	1125771	Kit, SAC/Mercury Switch Mounting Hardware	1	1
5			Screw, Hex Head Cap w/ Patch (1/4-20 x 1/2")	1	2
6			Bracket, Mercury Switch	1	1
7			Washer (1/4 x 1/2 x 1/16")	1	2
8			Locknut (1/4-20)	1	2
9			T-Nut (1/4-20)	1	2
10			Screw, Phillips Pan Head (#4-40 x 3/8")	1	2
11			Bracket, MK5 TRECM/TAC/SAC Mounting	1	1
12			Screw, Hex Head Cap w/ Patch (1/4-20 x 1/2")	1	2
13			Washer (1/4 x 1/2 x 1/16")	1	2
14			Bracket, Seat Pan Wiring	1	2
15			Screw, Phillips Pan Head Tap (#10-32 x 1/2")	1	4
4	B	1125770	Kit, Mercury Switch Mounting Hardware	1	1
5			Screw, Hex Head Cap w/ Patch (1/4-20 x 1/2")	1	2
6			Bracket, Mercury Switch	1	1
7			Washer (1/4 x 1/2 x 1/16")	1	2
8			Locknut (1/4-20)	1	2
16		1126179	Harness, Actuator Extension To SAC or TRSS	1	1
17		1119418	Cable, Auxiliary Power	1	1

NOTE: A - Includes items 5-15
 B - Includes items 5-8
 C - MK5 SAC was discontinued and replaced with a MK5 TAC. See page titled "MK5 TAC, Mercury Switches and Hardware" dated after 1/5/06

MK5 TAC, Mercury Switches and Mounting Hardware

Contoura Recline Only & Contoura Tilt Only After 1/5/06



MK5 TAC, Mercury Switches and Mounting Hardware

Contoura Recline Only & Contoura Tilt Only After 1/5/06

Item Number	Note	Part Number	Description	Quantity Per	
				Package	Assembly
1		1080634	Harness, Drive Lockout Mercury Switch	1	2
2	A	1125730	Kit, Drive Lockout/Recline Mercury Switch Mounting Hardware	2	1
3			Screw, Hex Head Cap w/ Patch (1/4-20 x 1/2")	1	4
4			Bracket, Mercury Switch	1	2
5			Washer (1/4 x 1/2 x 1/16")	1	4
6			Locknut (1/4-20)	1	4
7	C	1118728	Controller, MK5 TAC	1	1
2	A	1125770	Kit, Mercury Switch Mounting Hardware	1	2
3			Screw, Hex Head Cap w/ Patch (1/4-20 x 1/2")	1	2
4			Bracket, Mercury Switch	1	1
5			Washer (1/4 x 1/2 x 1/16")	1	2
6			Locknut (1/4-20)	1	2
8	B	1125732	Kit, TRECM/TAC Mounting Hardware Contoura	1	1
9			Bracket, Seat Pan Wiring	1	2
10			Screw, Phillips Pan Head Tap (#10-32 x 1/2")	1	4
11			Screw, Hex Head Cap w/ Patch (1/4-20 x 1/2")	1	2
12			Washer (1/4 x 1/2 x 1/16")	1	2
13			Bracket, MK5 TRECM/TAC/SAC Mounting	1	1
14			Screw, Phillips Pan Head (#10-32 x 3/8")	1	2
15			T-Nut (1/4-20)	1	2
14		1079316	Screw, Phillips Pan Head (#10-32 x 3/8")	1	2
16		1119418	Cable, Auxiliary Power	1	1
	D	1142597	Kit, MK5 SAC To MK5 TAC Conversion For (Formula Contoura Tilt or Recline) & (Conventional Tilt) on TDX	1	1
1			Harness, Drive Lockout Mercury Switch	1	2
3			Screw, Hex Head Cap w/ Patch (1/4-20 x 1/2")	1	10
4			Bracket, Mercury Switch	1	1
5			Washer (1/4 x 1/2 x 1/16")	1	10
6			Locknut (1/4-20)	1	10
7			Controller, MK5 TAC	1	1
14			Screw, Phillips Pan Head (#10-32 x 3/8")	1	2
			Bracket, Mercury Switch Mounting	1	1
			Bracket, Controller	1	1
			Screw, Hex Head (1/4-20 x 1-1/8")	1	4
			Bracket, Standoff	1	2
			Half Clamp, Non-Threaded Holes	1	2
			Half Clamp, Threaded Holes	1	2
			Cable Tie (11-1/2" Long)	1	10
			Cable Tie (5-5/8" Long)	1	10

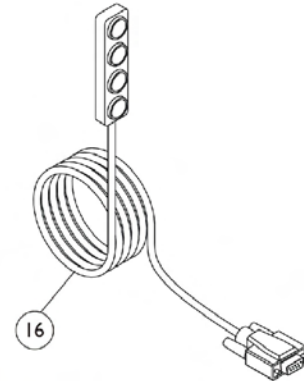
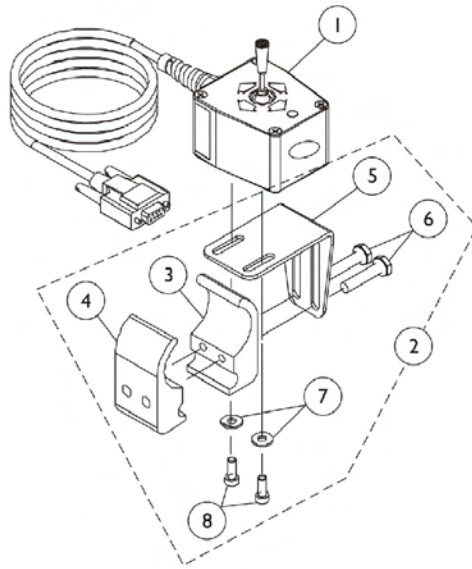
MK5 TAC, Mercury Switches and Mounting Hardware

Contoura Recline Only & Contoura Tilt Only After 1/5/06

Item Number	Note	Part Number	Description	Quantity Per	
				Package	Assembly
			Instruction Sheet, MK5 SAC To MK5 TAC Conversion For Formula (Contoura Tilt or Recline) & (Conventional Tilt or Recline) on TDX	1	1
	E	1095503	Package, Cable Ties (5-5/8" Long)	10	1
	E	1095502	Package, Cable Ties (11-1/2" Long)	10	1
	E	1141486	Instruction Sheet, MK5 SAC To MK5 TAC Conversion For Formula (Contoura Tilt or Recline) & (Conventional Tilt or Recline) on TDX	1	1
NOTE: A - Includes items 3-7 B - Includes items 9-15 C - When converting a MK5 SAC to a MK5 TAC, refer to the Conversion Kit part # 1142597. Conversion Kit includes all parts needed to convert a (Contoura Recline Only, Contoura Tilt Only or Conventional Tilt Only) D - Not Shown. Kit components for a Contoura Tilt Only or Recline Only uses items 1, 3-7 and 14, Cable Ties and Instruction Sheet E - Not Shown					

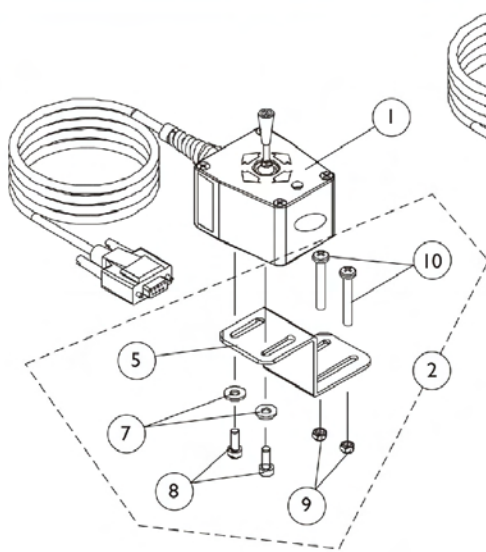
4-Way Switch and Quad Push Button (QPB) Switch

NOTE: 4-Way Switch and Quad Push Button (QPB) used with a MK5 TRECM controller

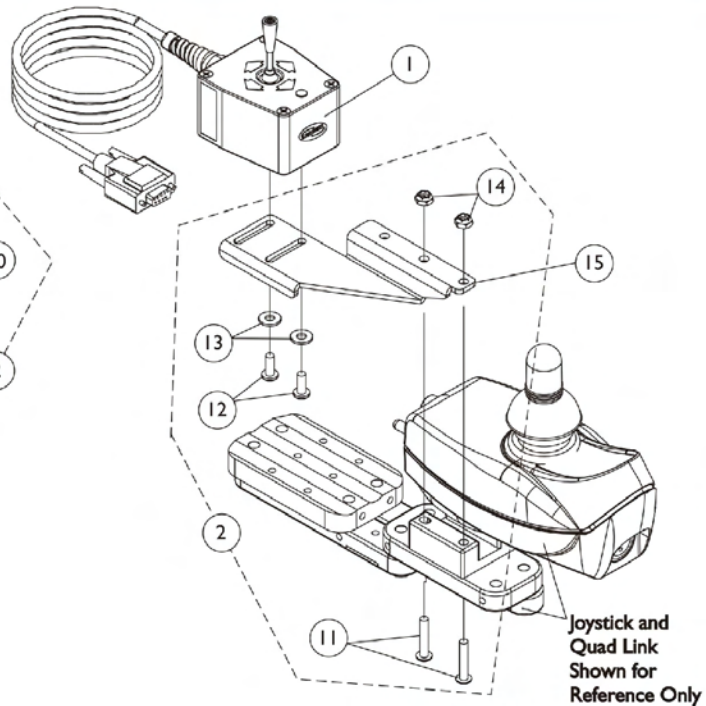


QPB Quad Push Button Switch

4-Way Switch
Joystick Tube Mounting Hardware



4-Way Switch
Quad Link Mounting Hardware
Before 10/31/05



4-Way Switch
Quad Link Mounting Hardware
After 10/30/05

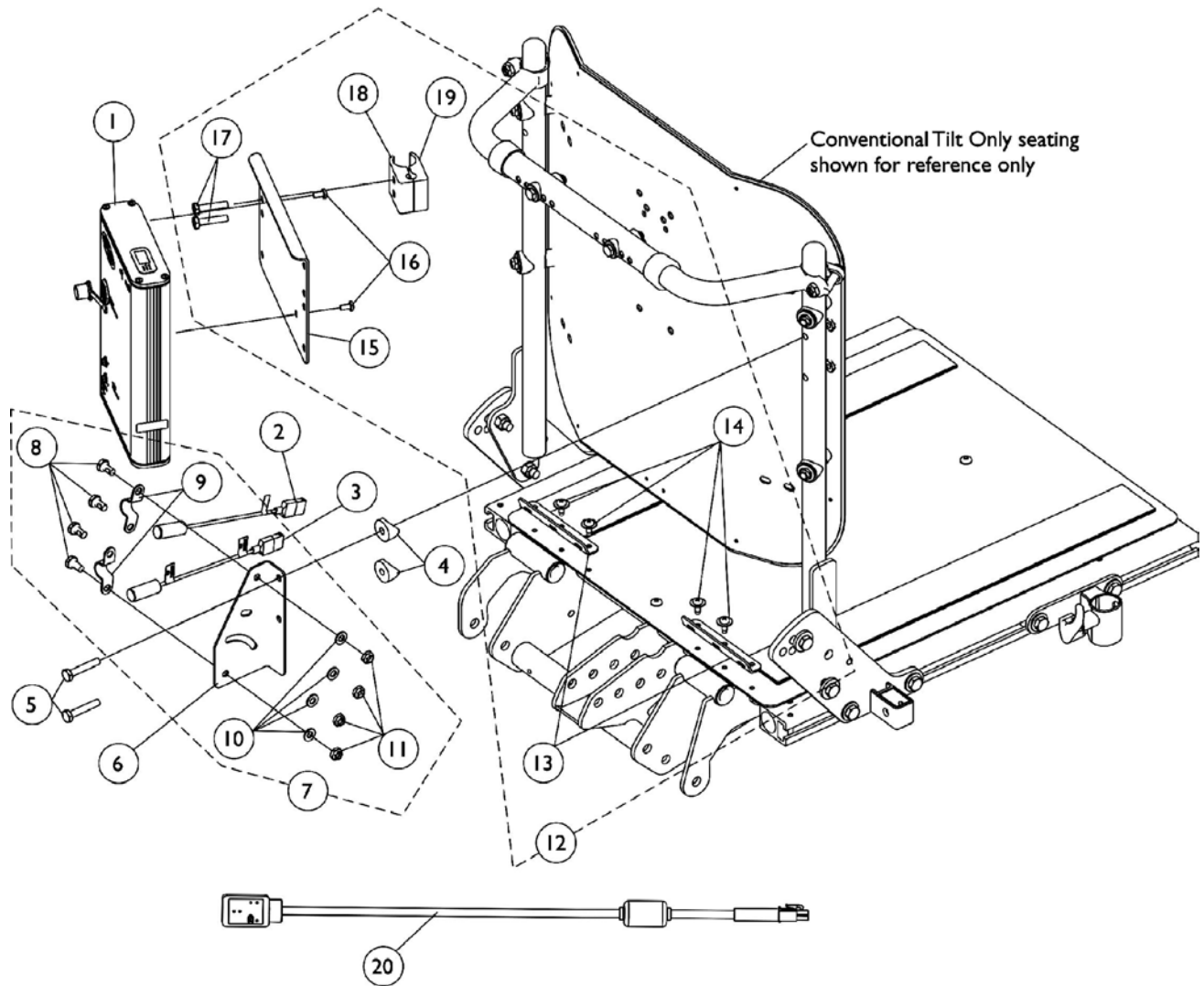
4-Way Switch and Quad Push Button (QPB) Switch

NOTE: 4-Way Switch and Quad Push Button (QPB) used with a MK5 TRECM controller

Item Number	Note	Part Number	Description	Quantity Per	
				Package	Assembly
1		1080116	Switch, 4-Way (FWT)	1	1
2	A	1077519	Kit, 4-Way Switch Joystick Tube Mounting Hardware	1	1
3			Half Clamp, Threaded Holes	1	1
4			Half Clamp, Non-Threaded Holes	1	1
5			Bracket, Mounting Joystick	1	1
6			Screw, Hex Head (1/4-20 x 1-1/8")	1	2
7			Washer (#10 Flat)	1	2
8			Screw, Phillips Pan Head (#10-32 x 1/2")	1	2
2	B	1077520	Kit, 4-Way Switch Quad Link Mounting Hardware	1	1
5			Bracket, Quad Link Mounting	1	1
7			Washer (#10 Flat)	1	2
8			Screw, Phillips Pan Head (#10-32 x 1/2")	1	2
9			Locknut (#10-32)	1	2
10			Screw, Phillips Pan Head (#10-32 x 1-3/8")	1	2
2	C	1139418	Kit, 4-Way Switch Quad Link Mounting Hardware	1	1
11			Screw, Phillips Pan Head w/Patch (#10-32 x 7/8")	1	2
12			Screw, Phillips Pan Head (#10-32 x 1/2")	1	2
13			Washer, Nylon (#10)	1	2
14			Locknut (#10-32)	1	2
15		1134132	Bracket, 4-Way Switch Quad Link, Black - Right	1	1
15		1134133	Bracket, 4-Way Switch Quad Link, Black - Left	1	1
16		1126177	Switch, Quad Push Button (QPB)	1	1
NOTE: A - Includes items 3-8 B - Before 10/31/05. Includes items 5 and 7-10 C - After 10/30/05. Includes items 11-14.					

MK5 TRECM, Mercury Switches and Mounting Hardware

Conventional Tilt and Tilt w/ BPO Option Before 1/17/05



MK5 TRECM, Mercury Switches and Mounting Hardware

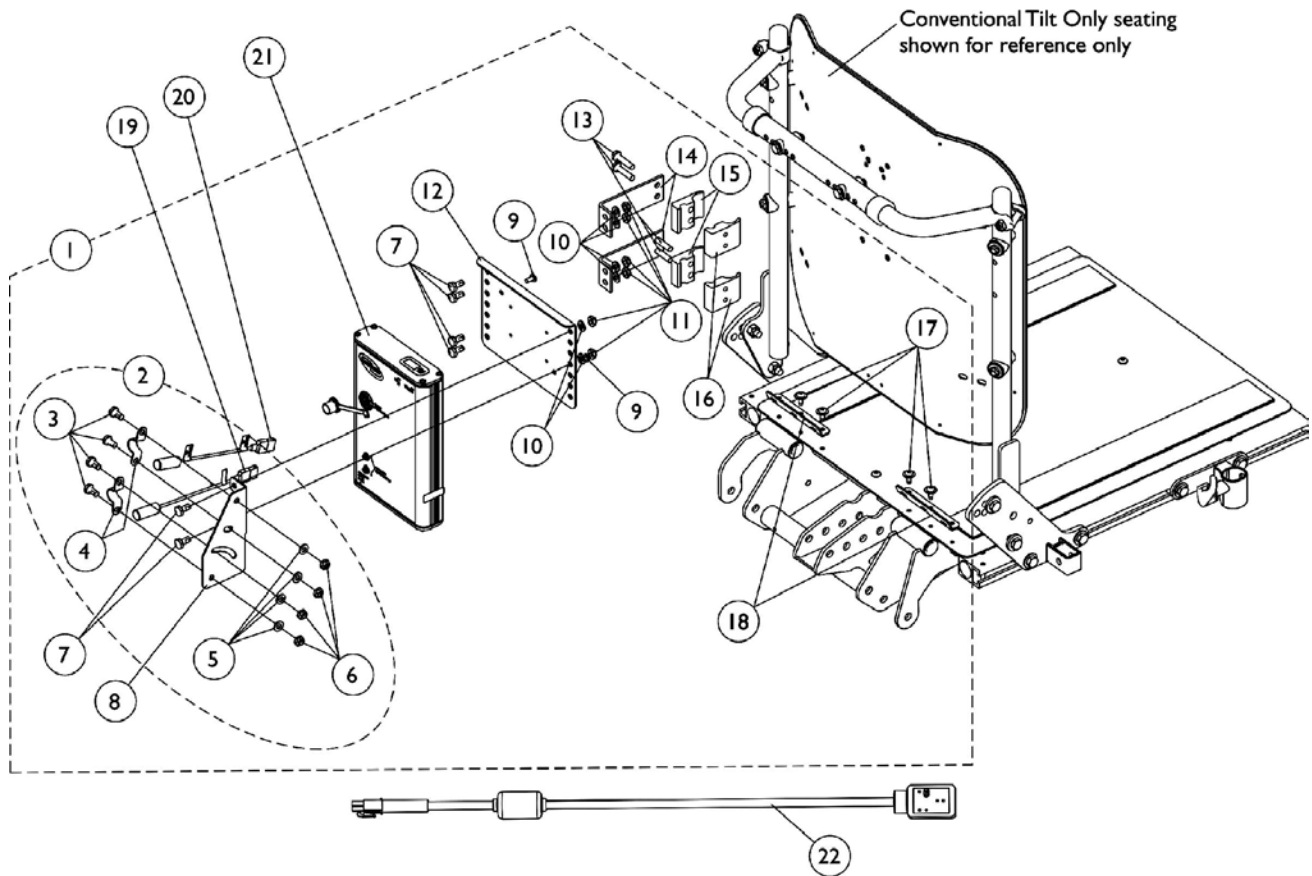
Conventional Tilt and Tilt w/ BPO Option Before 1/17/05

Item Number	Note	Part Number	Description	Quantity Per	
				Package	Assembly
1		1123263	Controller, MK5 TRECM	1	1
2		1080634	Harness, Drive Lockout Mercury Switch	1	1
3		1123268	Harness, Tilt Mercury Switch	1	1
4		40157X019	Spacer, Coved (1/4 x 7/8 x 7/16")	1	2
5		1074642	Screw, Hex Head (1/4-20 x 1-3/8")	1	2
6		1125792	Bracket, Mercury Switch Mounting	1	1
7	A,C	1125730	Kit, Drive Lockout/Recline Mercury Switch Mounting Hardware	2	1
8			Screw, Hex Head Cap w/ Patch (1/4-20 x 1/2")	1	4
9			Bracket, Mercury Switch	1	2
10			Washer (1/4 x 1/2 x 1/16")	1	4
11			Locknut (1/4-20)	1	4
12	B	1128348	Kit, MK5 TRECM Mounting Hardware For Conventional Tilt Only	1	1
13			Bracket, Seat Pan Wiring	1	2
14			Screw, Phillips Pan Head Tap (#10-32 x 1/2")	1	4
15			Bracket, Controller	1	1
16			Screw, Phillips Pan Head (#10-32 x 3/8")	1	2
17			Screw, Hex Head (1/4-20 x 1-1/8")	1	2
18			Half Clamp, Non-Threaded Holes	1	1
19			Half Clamp, Threaded Holes	1	1
20		1119418	Cable, Auxiliary Power	1	1
NOTE: A - Includes items 8-11 B - Includes items 13-19 C - Kit can be used with the tilt mercury switch as well					

MK5 TRECM, Mercury Switches and Mounting Hardware

Conventional Tilt & Tilt w/ BPO Option 1/17/05-4/14/05

Mounting hardware after 1/16/05 will now accommodate the Personal Back 10 and DualFlex Backs from Invacare.



MK5 TRECM, Mercury Switches and Mounting Hardware

Conventional Tilt & Tilt w/ BPO Option 1/17/05-4/14/05

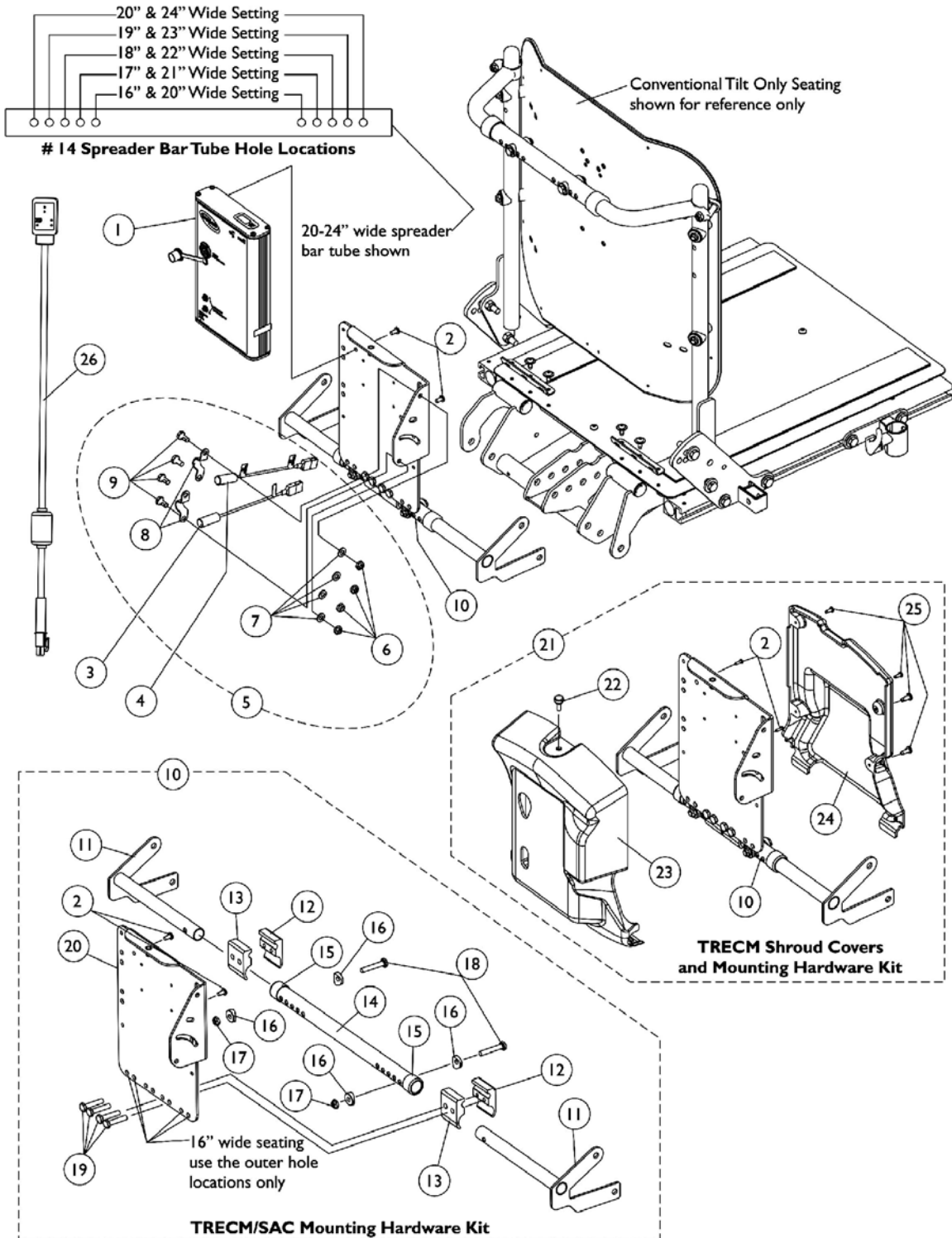
Mounting hardware after 1/16/05 will now accommodate the Personal Back 10 and DualFlex Backs from Invacare.

Item Number	Note	Part Number	Description	Quantity Per	
				Package	Assembly
1	A	1128359	Kit, TRECM/TAC and Mercury Switch Mounting Hardware	1	1
3			Screw, Hex Head Cap w/ Patch (1/4-20 x 1/2")	1	4
4			Bracket, Mercury Switch	1	2
5			Washer (1/4 x 1/2 x 1/16")	1	4
6			Locknut (1/4-20)	1	4
7			Screw, Hex Head Cap w/ Patch (1/4-20 x 1/2")	1	6
8			Bracket, Mercury Switch Mounting	1	1
9			Screw, Phillips Pan Head (#10-32 x 3/8")	1	2
10			Washer (1/4 x 1/2 x 1/16")	1	6
11			Locknut (1/4-20)	1	6
12			Bracket, Controller	1	1
13			Screw, Hex Head (1/4-20 x 1-1/8")	1	4
14			Bracket, Standoff	1	2
15			Half Clamp, Non-Threaded Holes	1	2
16			Half Clamp, Threaded Holes	1	2
17			Screw, Phillips Pan Head Tap (#10-32 x 1/2")	1	4
18			Bracket, Seat Pan Wiring	1	2
19		1080634	Harness, Drive Lockout Mercury Switch	1	1
20		1123268	Harness, Tilt Mercury Switch	1	1
21		1123263	Controller, MK5 TRECM	1	1
2	B	1125730	Kit, Drive Lockout/Recline Mercury Switch Mounting Hardware	2	1
3			Screw, Hex Head Cap w/ Patch (1/4-20 x 1/2")	1	4
4			Bracket, Mercury Switch	1	2
5			Washer (1/4 x 1/2 x 1/16")	1	4
6			Locknut (1/4-20)	1	4
22		1119418	Cable, Auxiliary Power	1	1

NOTE: A - Includes items 3-18
B - Includes items 3-6

MK5 TRECM, Shroud Cover, Mercury Switches and Mounting Hardware

Conventional Tilt & Tilt w/ BPO Option 4/15/05-10/19/05



MK5 TRECM, Shroud Cover, Mercury Switches and Mounting Hardware

Conventional Tilt & Tilt w/ BPO Option 4/15/05-10/19/05

Item Number	Note	Part Number	Description	Quantity Per	
				Package	Assembly
1		1123263	Controller, MK5 TRECM	1	1
2		1079316	Screw, Phillips Pan Head (#10-32 x 3/8")	1	2
3		1123268	Harness, Tilt Mercury Switch	1	1
4		1080634	Harness, Drive Lockout Mercury Switch	1	1
5	A	1125730	Kit, Drive Lockout/Recline Mercury Switch Mounting Hardware	2	1
6			Locknut (1/4-20)	1	4
7			Washer (1/4 x 1/2 x 1/16")	1	4
8			Bracket, Mercury Switch	1	2
9			Screw, Hex Head Cap w/ Patch (1/4-20 x 1/2")	1	4
10	B,D	1128362	Kit, TRECM/SAC Mounting Hardware 16-20" Wide For Conventional Tilt Only	1	1
2			Screw, Phillips Pan Head (#10-32 x 3/8")	1	2
2			Screw, Phillips Pan Head (#4-40 x 3/8")	1	4
11			Bracket, Spreader Bar - Right	1	1
11			Bracket, Spreader Bar - Left	1	1
12			Half Clamp, Threaded Holes	1	2
13			Half Clamp, Non-Threaded Holes	1	2
14			Tube, Spreader Bar 16-20" Wide	1	1
15			Collar, Anti-Rattle (7/8")	1	2
16			Spacer, Coved (1/4 x 11/16 x 1/2")	1	4
17			Locknut (1/4-20)	1	2
18			Screw, Hex Head (1/4-20 x 1-3/8")	1	2
19			Screw, Hex Head (1/4-20 x 1-1/4")	1	4
20			TRECM/SAC/TAC/MK6i Connector Shroud Mounting Tray Assembly	1	1
10	B,D	1128361	Kit, TRECM/SAC Mounting Hardware 20-24" Wide For Conventional Tilt Only	1	1
2			Screw, Phillips Pan Head (#10-32 x 3/8")	1	2
2			Screw, Phillips Pan Head (#4-40 x 3/8")	1	4
11			Bracket, Spreader Bar - Right	1	1
11			Bracket, Spreader Bar - Left	1	1
12			Half Clamp, Threaded Holes	1	2
13			Half Clamp, Non-Threaded Holes	1	2
14			Tube, Spreader Bar 20-24" Wide	1	1
15			Collar, Anti-Rattle (7/8")	1	2
16			Spacer, Coved (1/4 x 11/16 x 1/2")	1	4
17			Locknut (1/4-20)	1	2
18			Screw, Hex Head (1/4-20 x 1-3/8")	1	2
19			Screw, Hex Head (1/4-20 x 1-1/4")	1	4
20			TRECM/SAC/TAC/MK6i Connector Shroud Mounting Tray Assembly	1	1

MK5 TRECM, Shroud Cover, Mercury Switches and Mounting Hardware

Conventional Tilt & Tilt w/ BPO Option 4/15/05-10/19/05

Item Number	Note	Part Number	Description	Quantity Per	
				Package	Assembly
21	C	1128364	Kit, TRECM Shrouds and Mounting Hardware 16-20" Wide For Conventional Tilt Only	1	1
2			Screw, Phillips Pan Head (#10-32 x 3/8")	1	2
11			Bracket, Spreader Bar - Right	1	1
11			Bracket, Spreader Bar - Left	1	1
12			Half Clamp, Threaded Holes	1	2
13			Half Clamp, Non-Threaded Holes	1	2
14			Tube, Spreader Bar 16-20" Wide	1	1
15			Collar, Anti-Rattle (7/8")	1	2
16			Spacer, Coved (1/4 x 11/16 x 1/2")	1	4
17			Locknut (1/4-20)	1	2
18			Screw, Hex Head (1/4-20 x 1-3/8")	1	2
19			Screw, Hex Head (1/4-20 x 1-1/4")	1	4
20			TRECM/SAC/TAC/MK6i Connector Shroud Mounting Tray Assembly	1	1
22			Screw, Thumb (#10-32 x 1/2")	1	1
23			Shroud, Cover	1	1
24			Shroud, Back	1	1
25			Screw, Phillips Pan Head Tap (#10-32 x 1/2")	1	4
21	C	1128363	Kit, TRECM Shrouds and Mounting Hardware 20-24" Wide For Conventional Tilt Only	1	1
2			Screw, Phillips Pan Head (#10-32 x 3/8")	1	2
11			Bracket, Spreader Bar - Right	1	1
11			Bracket, Spreader Bar - Left	1	1
12			Half Clamp, Threaded Holes	1	2
13			Half Clamp, Non-Threaded Holes	1	2
14			Tube, Spreader Bar 20-24" Wide	1	1
15			Collar, Anti-Rattle (7/8")	1	2
16			Spacer, Coved (1/4 x 11/16 x 1/2")	1	4
17			Locknut (1/4-20)	1	2
18			Screw, Hex Head (1/4-20 x 1-3/8")	1	2
19			Screw, Hex Head (1/4-20 x 1-1/4")	1	4
20			TRECM/SAC/TAC/MK6i Connector Shroud Mounting Tray Assembly	1	1
22			Screw, Thumb (#10-32 x 1/2")	1	1
23			Shroud, Cover	1	1
24			Shroud, Back	1	1
25			Screw, Phillips Pan Head Tap (#10-32 x 1/2")	1	4
26		1119418	Cable, Auxiliary Power	1	1

MK5 TRECM, Shroud Cover, Mercury Switches and Mounting Hardware

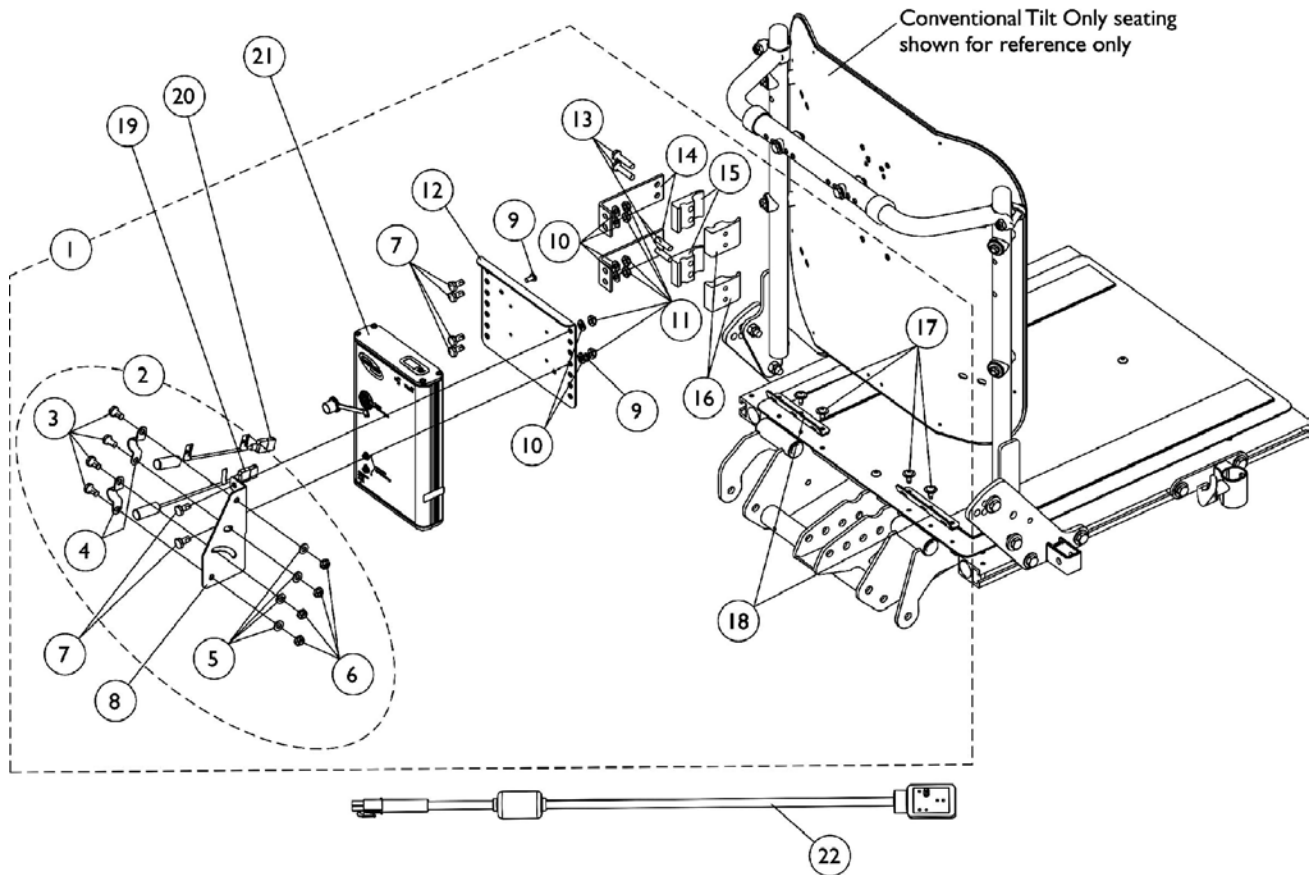
Conventional Tilt & Tilt w/ BPO Option 4/15/05-10/19/05

NOTE: A - Includes items 6-10
B - Includes items 2 and 11-20
C - Includes items 2, 11-20 and 22-25
D - Item 2 includes both attaching hardware screws for the MK5 TRECM and the MK5 SAC controller. Part number 1052041 screw is used to assemble a MK5 SAC to item 20 Mounting Tray Assembly.

MK5 TRECM, Mercury Switches and Mounting Hardware

Conventional Tilt & Tilt w/ BPO Option 10/20/05-1/25/06

Mounting hardware accommodates the Personal Back 10 and DualFlex Backs from Invacare.



MK5 TRECM, Mercury Switches and Mounting Hardware

Conventional Tilt & Tilt w/ BPO Option 10/20/05-1/25/06

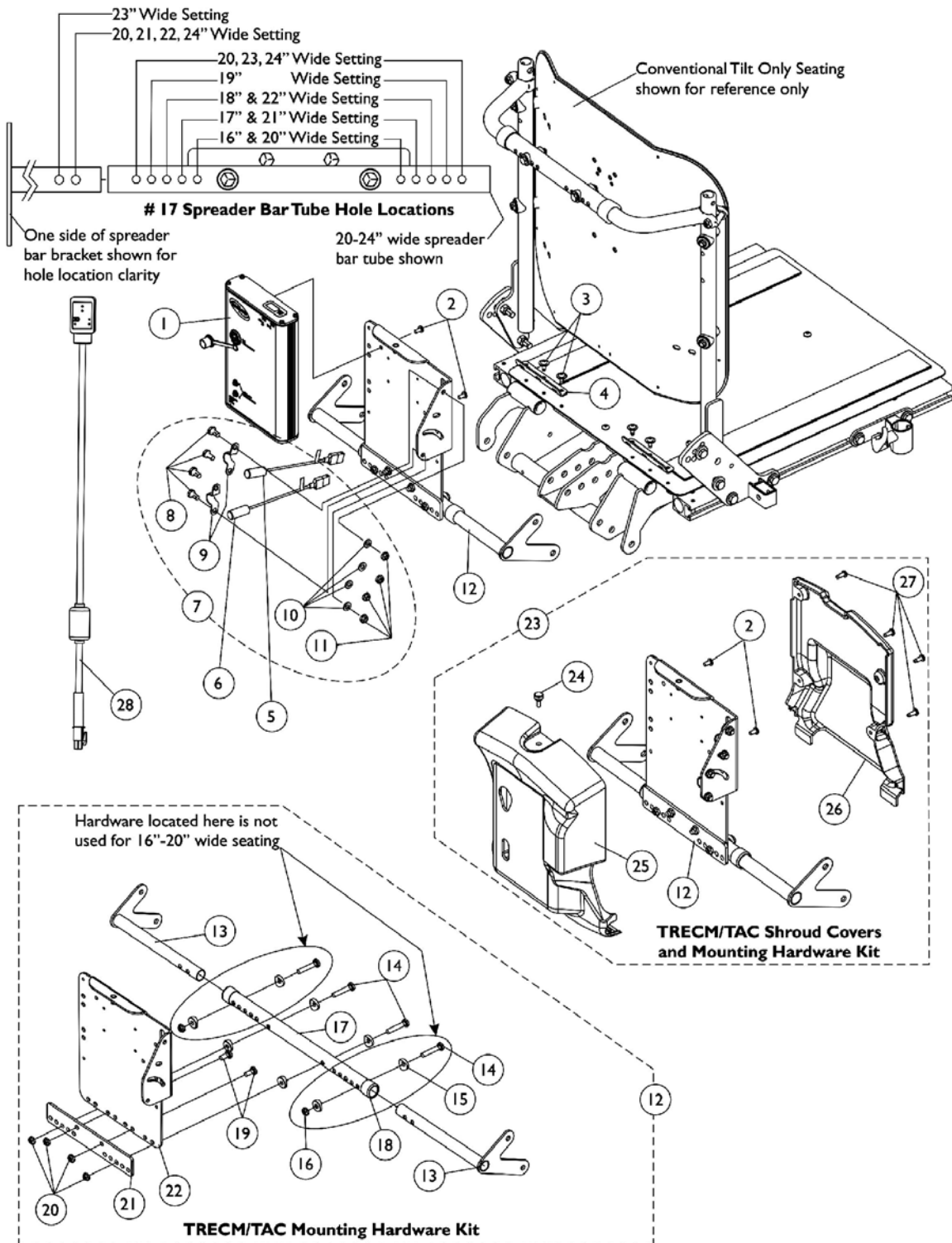
Mounting hardware accommodates the Personal Back 10 and DualFlex Backs from Invacare.

Item Number	Note	Part Number	Description	Quantity Per	
				Package	Assembly
1	A	1128359	Kit, TRECM/TAC and Mercury Switch Mounting Hardware	1	1
3			Screw, Hex Head Cap w/ Patch (1/4-20 x 1/2")	1	4
4			Bracket, Mercury Switch	1	2
5			Washer (1/4 x 1/2 x 1/16")	1	4
6			Locknut (1/4-20)	1	4
7			Screw, Hex Head Cap w/ Patch (1/4-20 x 1/2")	1	6
8			Bracket, Mercury Switch Mounting	1	1
9			Screw, Phillips Pan Head (#10-32 x 3/8")	1	2
10			Washer (1/4 x 1/2 x 1/16")	1	6
11			Locknut (1/4-20)	1	6
12			Bracket, Controller	1	1
13			Screw, Hex Head (1/4-20 x 1-1/8")	1	4
14			Bracket, Standoff	1	2
15			Half Clamp, Non-Threaded Holes	1	2
16			Half Clamp, Threaded Holes	1	2
17			Screw, Phillips Pan Head Tap (#10-32 x 1/2")	1	4
18			Bracket, Seat Pan Wiring	1	2
19		1080634	Harness, Drive Lockout Mercury Switch	1	1
20		1123268	Harness, Tilt Mercury Switch	1	1
21		1123263	Controller, MK5 TRECM	1	1
2	B	1125730	Kit, Drive Lockout/Recline Mercury Switch Mounting Hardware	2	1
3			Screw, Hex Head Cap w/ Patch (1/4-20 x 1/2")	1	4
4			Bracket, Mercury Switch	1	2
5			Washer (1/4 x 1/2 x 1/16")	1	4
6			Locknut (1/4-20)	1	4
22		1119418	Cable, Auxiliary Power	1	1

NOTE: A - Includes items 3-18
B - Includes items 3-6

MK5 TRECM, Shroud Cover, Mercury Switches and Mounting Hardware

Conventional Tilt & Tilt w/ BPO Option After 1/25/06



MK5 TRECM, Shroud Cover, Mercury Switches and Mounting Hardware

Conventional Tilt & Tilt w/ BPO Option After 1/25/06

Item Number	Note	Part Number	Description	Quantity Per	
				Package	Assembly
1		1123263	Controller, MK5 TRECM	1	1
2		1079316	Screw, Phillips Pan Head (#10-32 x 3/8")	1	2
3		1114308	Screw, Phillips Pan Head Tap (#10-32 x 1/2")	1	4
4		1125647	Bracket, Seat Pan Wiring	1	2
5		1080634	Harness, Drive Lockout Mercury Switch	1	1
6		1123268	Harness, Tilt Mercury Switch	1	1
7	A	1125730	Kit, Drive Lockout/Recline Mercury Switch Mounting Hardware	2	1
8			Screw, Hex Head Cap w/ Patch (1/4-20 x 1/2")	1	4
9			Bracket, Mercury Switch	1	2
10			Washer (1/4 x 1/2 x 1/16")	1	4
11			Locknut (1/4-20)	1	4
12	B	1140266	Kit, TRECM/TAC/MK6i Connector Shroud Mtg. Hdw. 16-20" Wide For Conventional Tilt Only	1	1
13			Bracket, Spreader Bar - Right	1	1
13			Bracket, Spreader Bar - Left	1	1
14			Screw, Hex Head (1/4-20 x 1-1/2")	1	2
15			Spacer, Coved (1/4 x 11/16 x 1/2")	1	4
17			Tube, Spreader Bar 16-20" Wide	1	1
18			Collar, Anti-Rattle (7/8")	1	2
19			Screw, Hex Head (1/4-20 x 5/8")	1	2
20			Locknut (1/4-20)	1	4
21			Plate, Mounting	1	1
22			TRECM/SAC/TAC/MK6i Connector Shroud Mounting Tray Assembly	1	1
12	C	1140267	Kit, TRECM/TAC/MK6i Connector Shroud Mtg. Hdw. 20-24" Wide For Conventional Tilt Only	1	1
13			Bracket, Spreader Bar - Right	1	1
13			Bracket, Spreader Bar - Left	1	1
14			Screw, Hex Head (1/4-20 x 1-1/2")	1	4
15			Spacer, Coved (1/4 x 11/16 x 1/2")	1	8
16			Locknut (1/4-20)	1	2
17			Tube, Spreader Bar 20-24" Wide	1	1
18			Collar, Anti-Rattle (7/8")	1	2
19			Screw, Hex Head (1/4-20 x 5/8")	1	2
20			Locknut (1/4-20)	1	4
21			Plate, Mounting	1	1
22			TRECM/SAC/TAC/MK6i Connector Shroud Mounting Tray Assembly	1	1
23	D	1140268	Kit, TRECM/TAC/MK6i Connector Shrouds and Mtg. Hdw. 16-20" Wide For Conventional Tilt Only	1	1
2			Screw, Phillips Pan Head (#10-32 x 3/8")	1	2
13			Bracket, Spreader Bar - Right	1	1

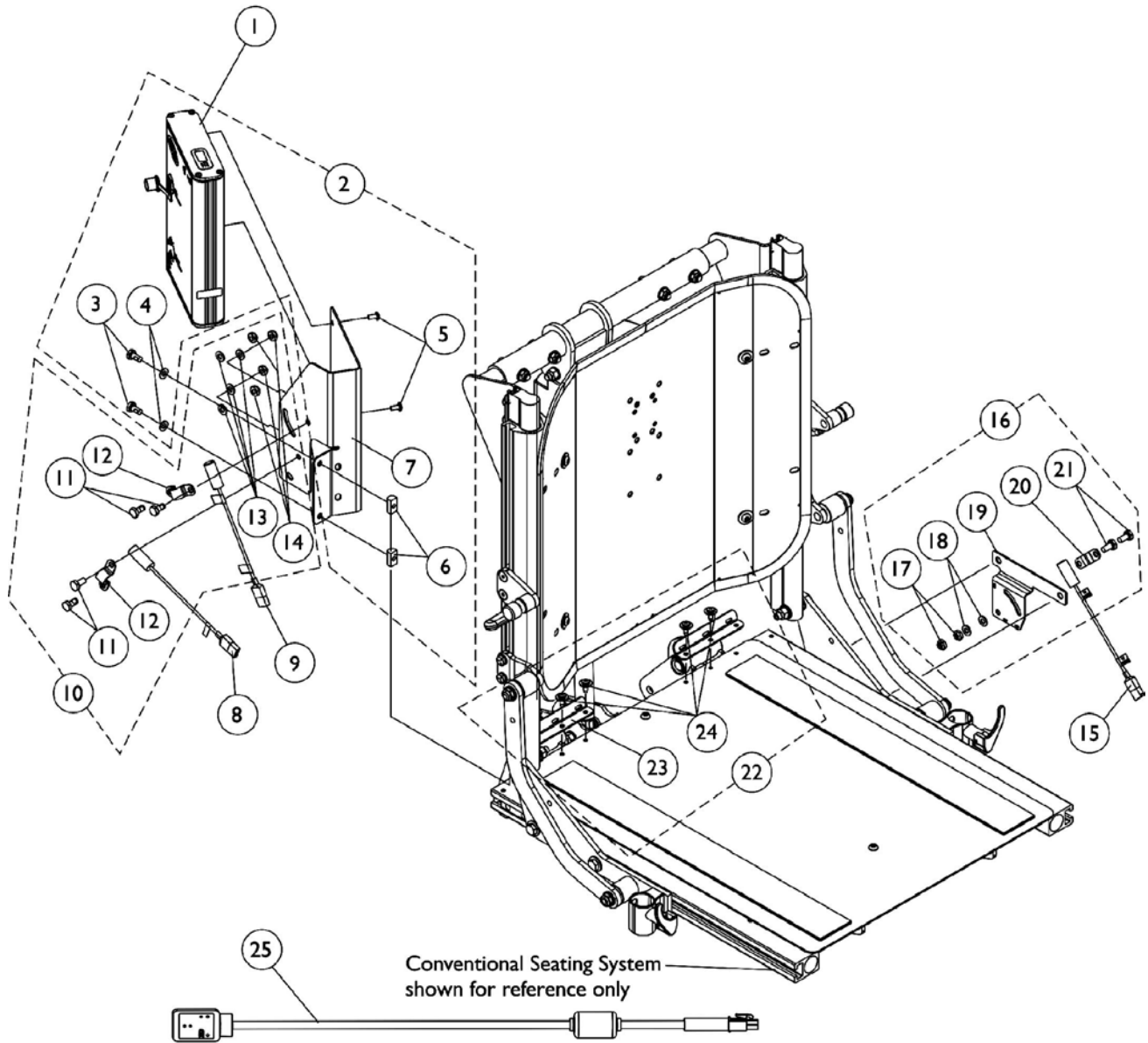
MK5 TRECM, Shroud Cover, Mercury Switches and Mounting Hardware

Conventional Tilt & Tilt w/ BPO Option After 1/25/06

Item Number	Note	Part Number	Description	Quantity Per	
				Package	Assembly
13			Bracket, Spreader Bar - Left	1	1
14			Screw, Hex Head (1/4-20 x 1-1/2")	1	2
15			Spacer, Coved (1/4 x 11/16 x 1/2")	1	4
17			Tube, Spreader Bar 16-20" Wide	1	1
18			Collar, Anti-Rattle (7/8")	1	2
19			Screw, Hex Head (1/4-20 x 5/8")	1	2
20			Locknut (1/4-20)	1	4
21			Plate, Mounting	1	1
22			TRECM/SAC/TAC/MK6i Connector Shroud Mounting Tray Assembly	1	1
24			Screw, Thumb (#10-32 x 1/2")	1	1
25			Shroud, Cover	1	1
26			Shroud, Back	1	1
27			Screw, Phillips Pan Head Tap (#10-32 x 1/2")	1	4
23	E	1140269	Kit, TRECM/TAC/MK6i Connector Shrouds and Mtg. Hdwr. 20-24" Wide For Conventional Tilt Only	1	1
2			Screw, Phillips Pan Head (#10-32 x 3/8")	1	2
13			Bracket, Spreader Bar - Right	1	1
13			Bracket, Spreader Bar - Left	1	1
14			Screw, Hex Head (1/4-20 x 1-1/2")	1	4
15			Spacer, Coved (1/4 x 11/16 x 1/2")	1	8
16			Locknut (1/4-20)	1	2
17			Tube, Spreader Bar 20-24" Wide	1	1
18			Collar, Anti-Rattle (7/8")	1	2
19			Screw, Hex Head (1/4-20 x 5/8")	1	2
20			Locknut (1/4-20)	1	4
21			Plate, Mounting	1	1
22			TRECM/SAC/TAC/MK6i Connector Shroud Mounting Tray Assembly	1	1
24			Screw, Thumb (#10-32 x 1/2")	1	1
25			Shroud, Cover	1	1
26			Shroud, Back	1	1
27			Screw, Phillips Pan Head Tap (#10-32 x 1/2")	1	4
28		1119418	Cable, Auxiliary Power	1	1
NOTE: A - Includes items 8-11 B - Includes items 13-15 and 17-22 C - Includes items 13-22 D - Includes items 2, 13-15, 17-22 and 24-27 E - Includes items 2, 13-22 and 24-27					

MK5 TRECM and Mercury Switches Before 5/19/05

Conventional Recline and Tilt/Recline

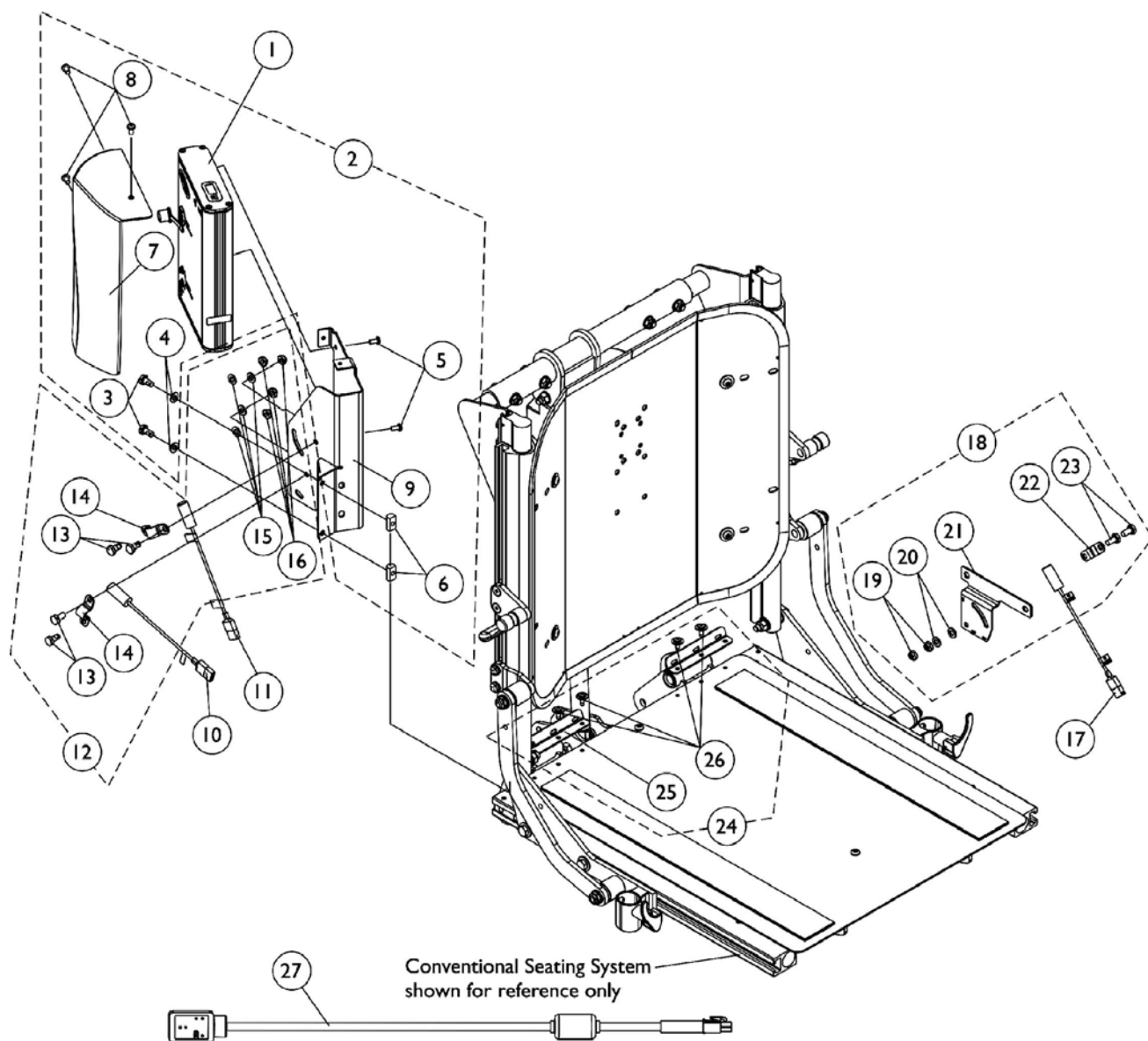


MK5 TRECM and Mercury Switches Before 5/19/05 Conventional Recline and Tilt/Recline

Item Number	Note	Part Number	Description	Quantity Per	
				Package	Assembly
1		1123263	Controller, MK5 TRECM	1	1
2	A	1125729	Kit, MK5 TRECM Mounting Hardware For Conventional Seating w/ Extruded Canes	1	1
3			Screw, Hex Head Cap w/ Patch (1/4-20 x 1/2")	1	2
4			Washer (1/4 x 1/2 x 1/16")	1	2
5			Screw, Phillips Pan Head (#10-32 x 3/8")	1	2
6			T-Nut (1/4-20)	1	2
7			Bracket, TRECM Controller Mounting	1	1
8		1080634	Harness, Drive Lockout Mercury Switch	1	1
9		1123267	Harness, Recline Mercury Switch	1	1
10	B	1125730	Kit, Drive Lockout/Recline Mercury Switch Mounting Hardware	2	1
11			Screw, Hex Head Cap w/ Patch (1/4-20 x 1/2")	1	4
12			Bracket, Mercury Switch	1	2
13			Washer (1/4 x 1/2 x 1/16")	1	4
14			Locknut (1/4-20)	1	4
15		1123268	Harness, Tilt Mercury Switch	1	1
16	C	1125731	Kit, Tilt Mercury Switch Mounting Hardware	1	1
17			Locknut (1/4-20)	1	2
18			Washer (1/4 x 1/2 x 1/16")	1	2
19			Bracket, Mercury Switch	1	1
20			Bracket, Mercury Switch	1	1
21			Screw, Hex Head Cap w/ Patch (1/4-20 x 1/2")	1	2
22	D	1133130	Kit, Seat Pan Wiring Brackets w/ Hardware	2	1
23			Bracket, Seat Pan Wiring	1	2
24			Screw, Phillips Pan Head Tap (#10-32 x 1/2")	1	4
25		1119418	Cable, Auxiliary Power	1	1

NOTE: A - Includes items 3-9
B - Includes items 11-14
C - Includes items 17-21
D - Includes items 23 and 24

MK5 TRECM, Shroud Cover and Mercury Switches After 5/18/05 Conventional Recline and Tilt/Recline

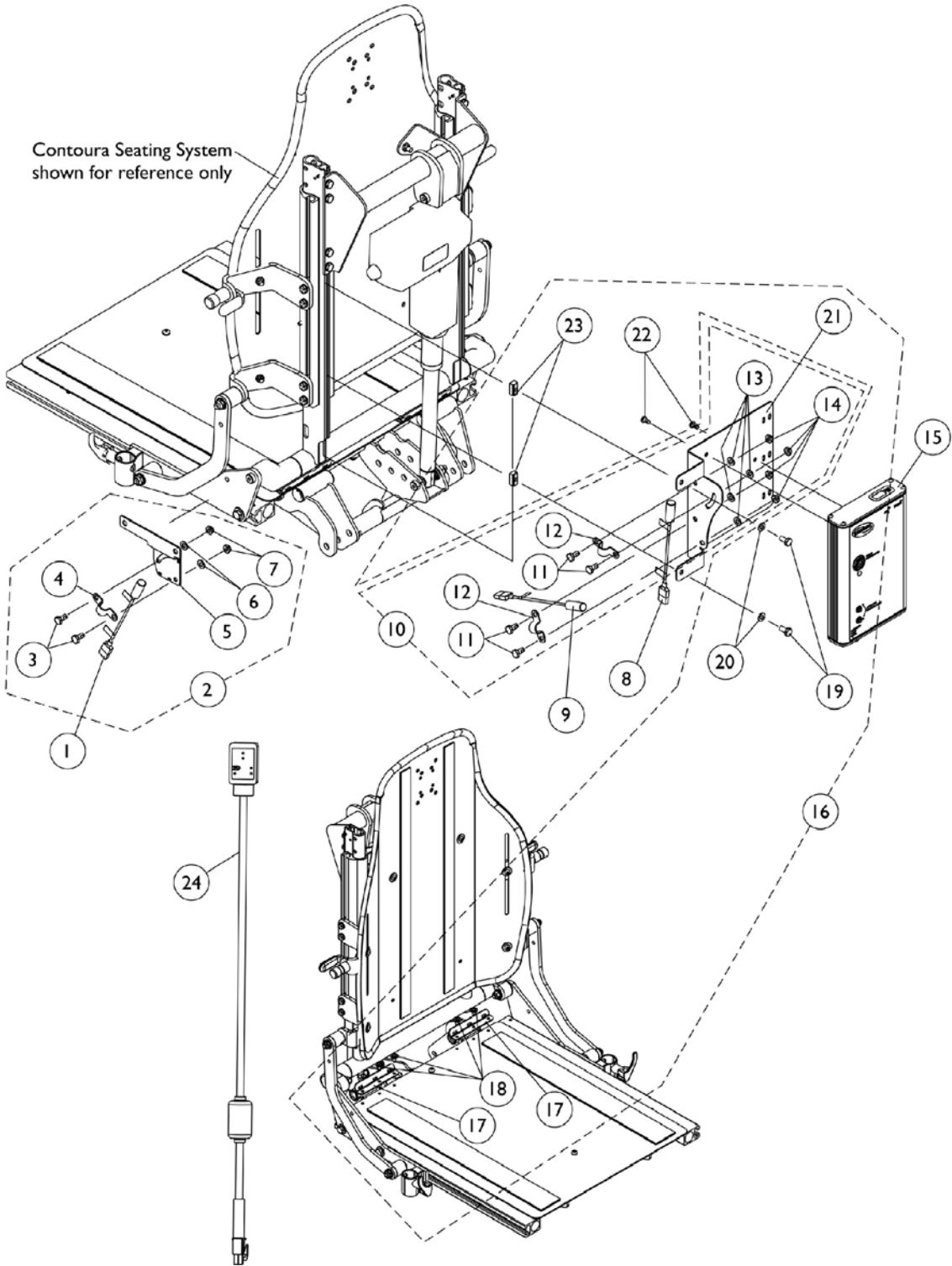


MK5 TRECM, Shroud Cover and Mercury Switches After 5/18/05 Conventional Recline and Tilt/Recline

Item Number	Note	Part Number	Description	Quantity Per	
				Package	Assembly
1		1123263	Controller, MK5 TRECM	1	1
2	A	1133131	Kit, TRECM/TAC Mounting Hardware and Shroud Cover	1	1
3			For Conventional Seating w/ Extruded Canes		
4			Screw, Hex Head Cap w/ Patch (1/4-20 x 1/2")	1	2
5			Washer (1/4 x 1/2 x 1/16")	1	2
6			Screw, Phillips Pan Head (#10-32 x 3/8")	1	2
7			T-Nut (1/4-20)	1	2
8			Shroud, TRECM/TAC Recline Cover	1	1
9			Screw, Phillips Pan Head Tap (#10-32 x 3/8")	1	3
10		1080634	Bracket, TRECM/TAC Controller/Shroud Mounting	1	1
11		1123267	Harness, Drive Lockout Mercury Switch	1	1
12	B	1125730	Kit, Drive Lockout/Recline Mercury Switch Mounting Hardware	2	1
13			Screw, Hex Head Cap w/ Patch (1/4-20 x 1/2")	1	4
14			Bracket, Mercury Switch	1	2
15			Washer (1/4 x 1/2 x 1/16")	1	4
16			Locknut (1/4-20)	1	4
17		1123268	Harness, Tilt Mercury Switch	1	1
18	C	1125731	Kit, Tilt Mercury Switch Mounting Hardware	1	1
19			Locknut (1/4-20)	1	2
20			Washer (1/4 x 1/2 x 1/16")	1	2
21			Bracket, Mercury Switch	1	1
22			Bracket, Mercury Switch	1	1
23			Screw, Hex Head Cap w/ Patch (1/4-20 x 1/2")	1	2
24	D	1133130	Kit, Seat Pan Wiring Brackets w/ Hardware	2	1
25			Bracket, Seat Pan Wiring	1	2
26			Screw, Phillips Pan Head Tap (#10-32 x 1/2")	1	4
27		1119418	Cable, Auxiliary Power	1	1
NOTE: A - Includes items 3-9 B - Includes items 13-16 C - Includes items 19-23 D - Includes items 25 and 26					

MK5 TRECM, Mercury Switches and Mounting Hardware

Contoura Tilt, Recline and Tilt/Recline

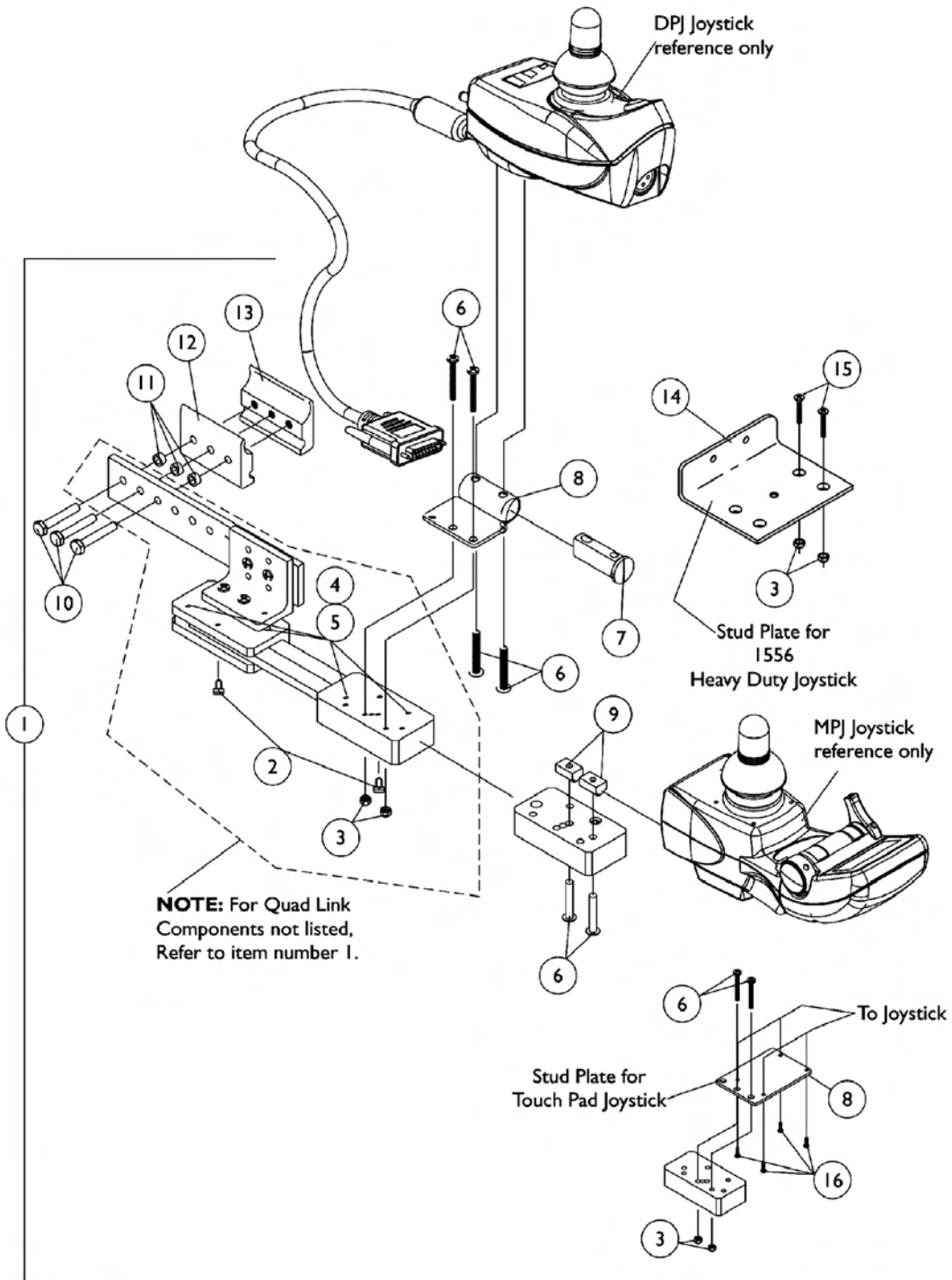


MK5 TRECM, Mercury Switches and Mounting Hardware Contoura Tilt, Recline and Tilt/Recline

Item Number	Note	Part Number	Description	Quantity Per		
				Package	Assembly	
1		1123268	Harness, Tilt Mercury Switch	1	1	
2	A	1125731	Kit, Tilt Mercury Switch Mounting Hardware	1	1	
3			Locknut (1/4-20)	1	2	
4			Washer (1/4 x 1/2 x 1/16")	1	2	
5			Bracket, Mercury Switch	1	1	
6			Bracket, Mercury Switch	1	1	
7			Screw, Hex Head Cap w/ Patch (1/4-20 x 1/2")	1	2	
8			1123267	Harness, Recline Mercury Switch	1	1
9		1080634	Harness, Drive Lockout Mercury Switch	1	1	
10	B	1125730	Kit, Drive Lockout/Recline Mercury Switch Mounting Hardware	2	1	
11			Screw, Hex Head Cap w/ Patch (1/4-20 x 1/2")	1	4	
12			Bracket, Mercury Switch	1	2	
13			Washer (1/4 x 1/2 x 1/16")	1	4	
14			Locknut (1/4-20)	1	4	
15			1123263	Controller, MK5 TRECM	1	1
16			C	1125732	Kit, TRECM/TAC Mounting Hardware Contoura	1
17	Bracket, Seat Pan Wiring	1			2	
18	Screw, Phillips Pan Head Tap (#10-32 x 1/2")	1			4	
19	Screw, Hex Head Cap w/ Patch (1/4-20 x 1/2")	1			2	
20	Washer (1/4 x 1/2 x 1/16")	1			2	
21	Bracket, MK5 TRECM/TAC/SAC Mounting	1			1	
22	Screw, Phillips Pan Head (#10-32 x 3/8")	1			2	
23	T-Nut (1/4-20)	1			2	
24		1119418	Cable, Auxiliary Power	1	1	
NOTE: A - Includes items 3-7 B - Includes items 11-14 C - Includes items 17-23						

Quad Link

Before 10/31/05



Quad Link Before 10/31/05

Item Number	Note	Part Number	Description	Quantity Per	
				Package	Assembly
1	A	1052402	Kit, Quad Link Assembly - Right	1	1
2			Ball Plunger with Lock Washer Assembly	2	1
3			Locknut (#10-32)	1	2
4			Screw, Socket Head (#10-32 x 1/2")	1	4
5			Bushing, Bronze (3/16 x 1/4 x 1/4")	1	4
6			Screw, Phillips Pan Head (#10-32 x 1-1/8")	1	4
7			Spacer, Joystick Tube	1	1
8			Stud Plate, Quad Link	1	1
10			Screw, Hex Head (1/4-20 x 1-1/2")	1	3
11			Spacer (1/4 x 3/8 x 3/16")	1	3
12			Half Clamp, Non-Threaded Holes	1	1
13			Half Clamp, Threaded Holes	1	1
1	A	1115372	Kit, Quad Link Assembly - Left	1	1
2			Ball Plunger with Lock Washer Assembly	2	1
3			Locknut (#10-32)	1	2
4			Screw, Socket Head (#10-32 x 1/2")	1	4
5			Bushing, Bronze (3/16 x 1/4 x 1/4")	1	4
6			Screw, Phillips Pan Head (#10-32 x 1-1/8")	1	4
7			Spacer, Joystick Tube	1	1
8			Stud Plate, Quad Link	1	1
10			Screw, Hex Head (1/4-20 x 1-1/2")	1	3
11			Spacer (1/4 x 3/8 x 3/16")	1	3
12			Half Clamp, Non-Threaded Holes	1	1
13			Half Clamp, Threaded Holes	1	1
1	B	1117278	Kit, Quad Link Assembly - Right	1	1
2			Ball Plunger with Lock Washer Assembly	2	1
3			Locknut (#10-32)	1	2
4			Screw, Socket Head (#10-32 x 1/2")	1	4
5			Bushing, Bronze (3/16 x 1/4 x 1/4")	1	4
6			Screw, Phillips Pan Head (#10-32 x 1-1/8")	1	2
9			T-Nut (#10-32)	1	2
10			Screw, Hex Head (1/4-20 x 1-1/2")	1	3
11			Spacer (1/4 x 3/8 x 3/16")	1	3
12			Half Clamp, Non-Threaded Holes	1	1
13			Half Clamp, Threaded Holes	1	1
1	B	1117239	Kit, Quad Link Assembly - Left	1	1
2			Ball Plunger with Lock Washer Assembly	2	1
3			Locknut (#10-32)	1	2
4			Screw, Socket Head (#10-32 x 1/2")	1	4
5			Bushing, Bronze (3/16 x 1/4 x 1/4")	1	4
6			Screw, Phillips Pan Head (#10-32 x 1-1/8")	1	2
9			T-Nut (#10-32)	1	2
10			Screw, Hex Head (1/4-20 x 1-1/2")	1	3

Quad Link Before 10/31/05

Item Number	Note	Part Number	Description	Quantity Per	
				Package	Assembly
11			Spacer (1/4 x 3/8 x 3/16")	1	3
12			Half Clamp, Non-Threaded Holes	1	1
13			Half Clamp, Threaded Holes	1	1
1	C,E	1034703-NLA	Kit, Quad Link Assembly - Right	1	1
2			Ball Plunger with Lock Washer Assembly	2	1
3			Locknut (#10-32)	1	2
4			Screw, Socket Head (#10-32 x 1/2")	1	4
5			Bushing, Bronze (3/16 x 1/4 x 1/4")	1	4
10			Screw, Hex Head (1/4-20 x 1-1/2")	1	3
11			Spacer (1/4 x 3/8 x 3/16")	1	3
12			Half Clamp, Non-Threaded Holes	1	1
13			Half Clamp, Threaded Holes	1	1
14			Stud Plate, Quad Link For 1556 Heavy Duty Joystick	1	1
15			Screw, Phillips Flat Head Countersunk (#10-32 x 1-1/8")	1	2
1	C	1114866	Kit, Quad Link Assembly - Left	1	1
2			Ball Plunger with Lock Washer Assembly	2	1
3			Locknut (#10-32)	1	2
4			Screw, Socket Head (#10-32 x 1/2")	1	4
5			Bushing, Bronze (3/16 x 1/4 x 1/4")	1	4
10			Screw, Hex Head (1/4-20 x 1-1/2")	1	3
11			Spacer (1/4 x 3/8 x 3/16")	1	3
12			Half Clamp, Non-Threaded Holes	1	1
13			Half Clamp, Threaded Holes	1	1
14			Stud Plate, Quad Link For 1556 Heavy Duty Joystick	1	1
15			Screw, Phillips Flat Head Countersunk (#10-32 x 1-1/8")	1	2
1	D	1102027	Kit, Quad Link Assembly - Right For TCHJOY/TCPDM4 Touchpad	1	1
2			Ball Plunger with Lock Washer Assembly	2	1
3			Locknut (#10-32)	1	2
4			Screw, Socket Head (#10-32 x 1/2")	1	4
5			Bushing, Bronze (3/16 x 1/4 x 1/4")	1	4
6			Screw, Phillips Pan Head (#10-32 x 1-1/8")	1	2
8			Stud Plate, Quad Link MKIV TCHJOY/TCPDM4	1	1
10			Screw, Hex Head (1/4-20 x 1-1/2")	1	3
11			Spacer (1/4 x 3/8 x 3/16")	1	3
12			Half Clamp, Non-Threaded Holes	1	1
13			Half Clamp, Threaded Holes	1	1
16			Screw, Phillips Flat Head Countersunk (#4-40 x 3/8")	1	4

Quad Link Before 10/31/05

Item Number	Note	Part Number	Description	Quantity Per	
				Package	Assembly
2		1114863	Ball Plunger with Lock Washer Assembly	2	1
NOTE: A - Includes the Quad Link, items 2-8, 10-13 and used with an SPJ-80 and DPJ joystick B - Includes the Quad Link, items 2-6, 9-13 and used with a MPJ joystick C - includes the Quad Link, items 2-5, 10-15 and used with a 1556 Heavy Duty joystick D - Includes the Quad Link, items 2-6, 8, 10-13 and 16. Used with a Touch Pad joystick. Left side mounted Quad Link must be requested as a "special" order E - Quad Link Assembly is no longer available. Please see Quad Link Assembly (After 10/30/05) category and use new Quad Link design as a replacement.					

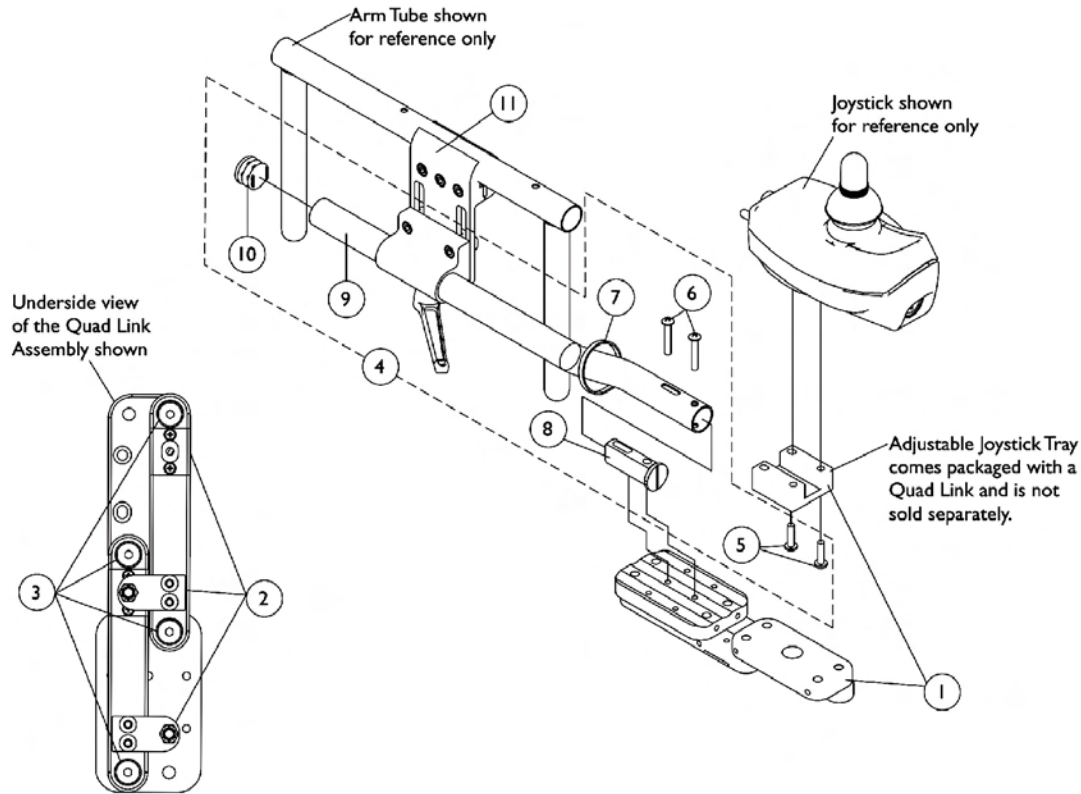
Quad Link (QLA)

After 10/30/05

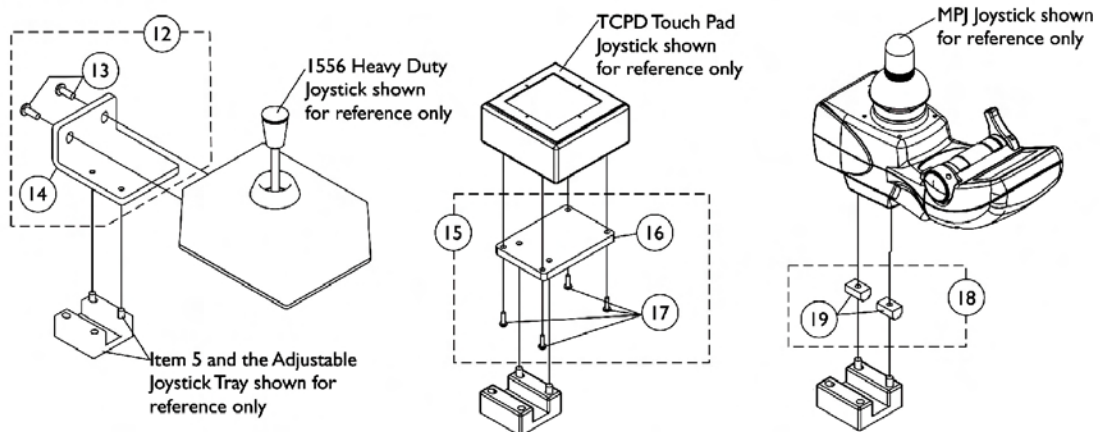
When converting an old style Quad Link that attaches to a mounting plate or (a Flex Tube or Touch Pad Joystick Tube) is currently on the chair then order the following:

Quad Link Mtg. Hdwr. (item 4), Quad Link (item 1) & Ht. Adj. Joystick Tube Clamp (item 11)

NOTE: Substitute (item 4) with 2 ea. of the PPH Screws (item 5) when an offset joystick tube is currently on the chair. Additional Joystick Mtg. Hdwr. must be ordered when a 1556 Heavy Duty, TCPD Touch Pad or MPJ joystick are used.



Screw Fastener and Quad Link Latch Hardware



Quad Link (QLA)

After 10/30/05

When converting an old style Quad Link that attaches to a mounting plate or (a Flex Tube or Touch Pad Joystick Tube) is currently on the chair then order the following:

Quad Link Mtg. Hdwr. (item 4), Quad Link (item 1) & Ht. Adj. Joystick Tube Clamp (item 11)

NOTE: Substitute (item 4) with 2 ea. of the PPH Screws (item 5) when an offset joystick tube is currently on the chair. Additional Joystick Mtg. Hdwr. must be ordered when a 1556 Heavy Duty, TCPD Touch Pad or MPJ joystick are used.

Item Number	Note	Part Number	Description	Quantity Per	
				Package	Assembly
1	G	1140896	Quad Link with Adjustable Joystick Tray (QLA) and Instruction Sheet - Right	1	1
1	G	1140897	Quad Link with Adjustable Joystick Tray (QLA) and Instruction Sheet - Left	1	1
2	A	1140425	Kit, Quad Link Latch Hardware	1	1
3	B	1140424	Kit, Quad Link Screw Fastener Hardware	1	1
4	C,C1	1139416	Kit, ASBA/ADJASBA Quad Link Mounting Hardware	1	1
5			Screw, Phillips Pan Head w/ Patch (10-32 x 3/4")	1	2
6			Screw, Phillips Pan Head (#10-32 x 1-1/8")	1	2
7			Cable Tie (11-1/2" Long)	1	1
8			Spacer, Joystick Tube	1	1
9			Tube, Joystick 1/2" Offset	1	1
10			Plug Button, Black (7/8")	1	1
5		1105414	Screw, Phillips Pan Head w/ Patch (10-32 x 3/4")	1	2
11	I	1139422	Clamp, Height Adjustable Joystick Tube (ARM250)	1	1
12	D	1139925	Kit, 1556 Heavy Duty Joystick To Quad Link Mounting Hardware	1	1
13			Screw, Phillips Pan Head (#10-32 x 1/2")	1	2
14			Plate, 1556 HD Joystick Quad Link	1	1
15	E	1139683	Kit, TCPD Touch Pad To Quad Link Mounting Hardware	1	1
16			Plate, TCPD Touch Pad Quad Link	1	1
17			Screw, Phillips Pan Head (#4-40 x 3/8")	1	4
18	F	1139682	Kit, MPJ Joystick To Quad Link Mounting Hardware	1	1
19			T-Nut (#10-32)	1	2
	H	1134844	Instruction Sheet, Quad Link	1	1

NOTE: A - Latch Kit includes 4 ea. Button Head Cap Screws (10-32 x 3/8"), 2 ea. Latch Spring Assembly, 4 ea. Phillips Flat C'Sunk Head Screws, 2 ea. Spring Catch Plates, 2 ea. Socket Head Set Screws (10-32 x 3/8")
 B - Screw Fastener Kit includes 4 ea. Socket Head Shoulder Screws (3/8 x 3/8"), 2 ea. Socket Head Cap Screws (1/4-20 x 3/8"), 2 ea. Socket Head Set Screws (1/4-20 x 1/2"), 4 ea. Socket Head Set Screws (10-32 x 1/8")
 C - Includes items 5-10. The Quad Link Mounting Hardware accommodates MK5 SPJ-80, DPJ, MPJ, and PSF/PSR joysticks.
 C1 - When ordering the Quad Link for the first time, Additional hardware is required for 1556 Heavy Duty, TCPD Touch Pad joysticks and (MPJ joysticks if the T-nuts are missing). See pictorial for reference.
 D - Includes items 13 and 14
 E - Includes items 16 and 17
 F - Includes 2 ea. of item 19
 G - The 4-Way Switch and Single Function Toggle Switch (TRSS/ESC) Mounting Plates have changed and may be required when converting a Quad Link assembled to a mounting plate over to a Quad Link introduced after 10/30/05
 H - Not Shown
 I - Individual components are non-saleable

Invacare Corporation

www.invacare.com



Yes, you can.™

One Invacare Way
Elyria, Oh USA
44036-2125
800-333-6900

Technical Support
800-832-4707
Florida Technical Support
407-321-5630

Customer Service
800-333-6900

©2008 Invacare Corporation. Elyria, Ohio.
All rights reserved. Trademarks are
identified by the symbols™ and®. All
trademarks are owned by or licensed to
Invacare Corporation unless otherwise
noted. Otto Bock is a registered trademark
owned by Otto Bock Orthopaedische
Industrie GMBH & Co.. JAY Back is a
registered trademark of Sunrise Medical
HHG, Inc. Corporation (Revised 5/27/08)

Form No. 06-102